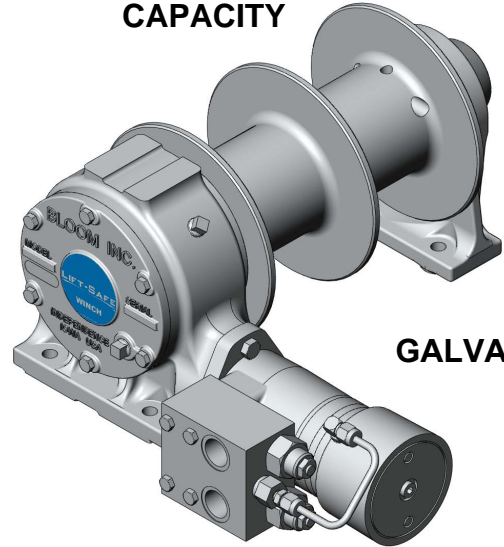


Series LS10H Vanging Galv Hydraulic Cable Winches

"Quality Since
1910"

Lift-Safe® hydraulic winches are specifically designed for lifting applications and optimum load control. Engineered for enhanced safety with redundant braking systems, and available in a variety of configurations. Lift-Safe® winches utilize the **DUET-SAFE® Double Action Braking System** to provide both static and dynamic braking. Lift-Safe® winches offer increased operational flexibility, and superior load control in lifting applications. Series LS10H Vanging winches are used on fishing boats and marine craft.

UP TO 12,000 POUNDS
CAPACITY



GALVANIZED

Lift-Safe® Hydraulic Cable Winches – Standard Features

- MOTOR-BRAKE** - **DUET-SAFE® Double Action Braking System** combines a powerful spring applied, hydraulic released motor-brake with a double counter balance brake valve to automatically hold loads when hydraulic pressure is released and control speed during lowering operations. Winch is ideal for high speed lifting and pulling applications or wherever load holding is critical.
- GEAR CASE** - Made of high strength cast iron. Completely sealed for oil enclosed operation and to keep dirt out.
- WORM SHAFT** - One piece alloy steel hardened and ground for extra durability. Compact design allows hydraulic motor to be coupled directly to worm.
- WORM GEAR** - High tensile aluminum-nickel alloy bronze. Optimum lead and pressure angles transmit maximum power to the drum.
- GEAR RATIO** - 20:1 standard, 10:1, 27:1, 40:1 optional ratios provide optimum efficiency in power and speed.
- BEARINGS** - Worm gear and worm shaft run on tapered roller bearings. Outer end housing has sealed ball bearing.
- DRUM SHAFT** - 1-1/2" diameter heat-treated alloy steel minimum tensile strength 150,000 psi.
- CABLE DRUM** - Tough all steel construction resists breakage or warping.



BLOOM
Manufacturing Inc.
Winch Division

Lifting
Pulling
Hoisting

Toll Free Number: 1-800-394-1139

www.bloommfg.com

"Custom Engineered Solutions"

1443 220th Street,, Independence, Iowa 50644 • FAX: 319-827-1140 • PHONE: 319-827-1139

Series LS10H Vanging Galv Model Selection from Performance Data

MODEL EXAMPLE: LS10H-3.0T-L8-10-5118-GALV

LS10 = Lift-Safe® Series LS10H Vanging Galv
with 1-1/2' Drum Shaft

Galvanized

Integral Fail-Safe Brake

Hydraulic Motor Designation
3.0T, 4.0T, 6.2T, 9.6T

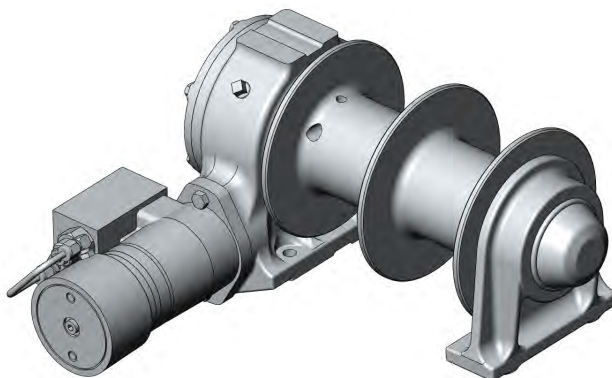
Gear Ratios

10:1, 20:1, 27:1, 40:1

Drum Size
L8 (5118 Split Drum)
with 4" Core

DRUM CAPACITY PER SIDE OF SPLIT DRUM

CABLE DIAMETER (IN.)	1/4	5/16	3/8	7/16	1/2
DRUM "L8" (5118) CAPACITY (FT.)	190	120	80	55	40



Lift Safe® Cable Winches

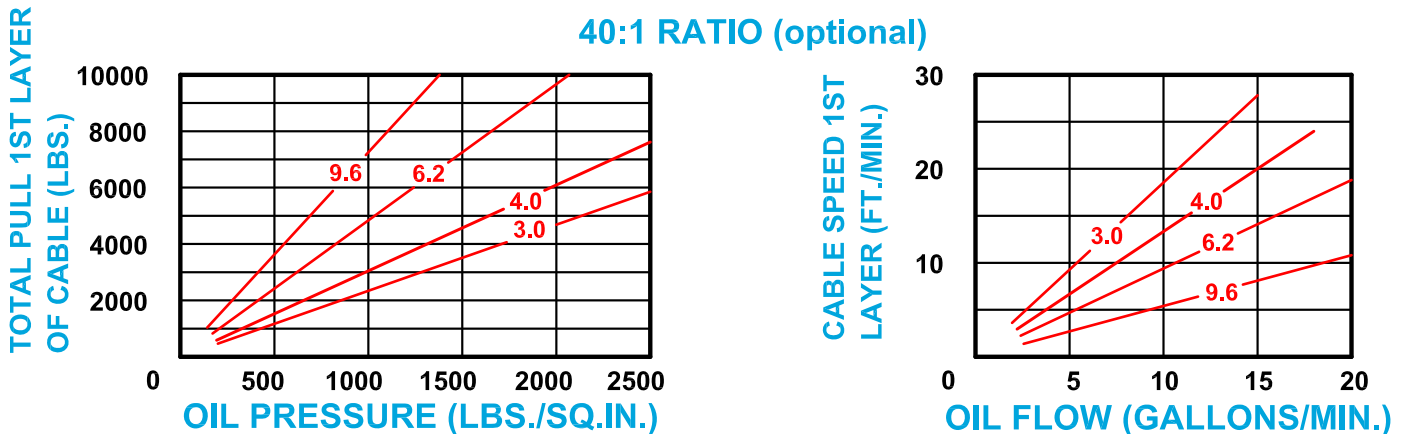
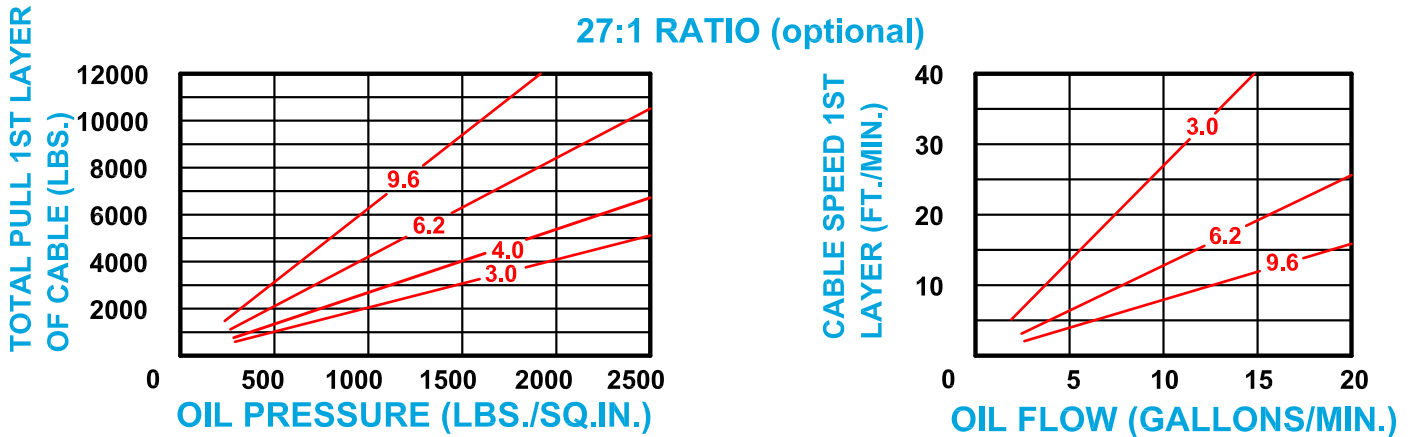
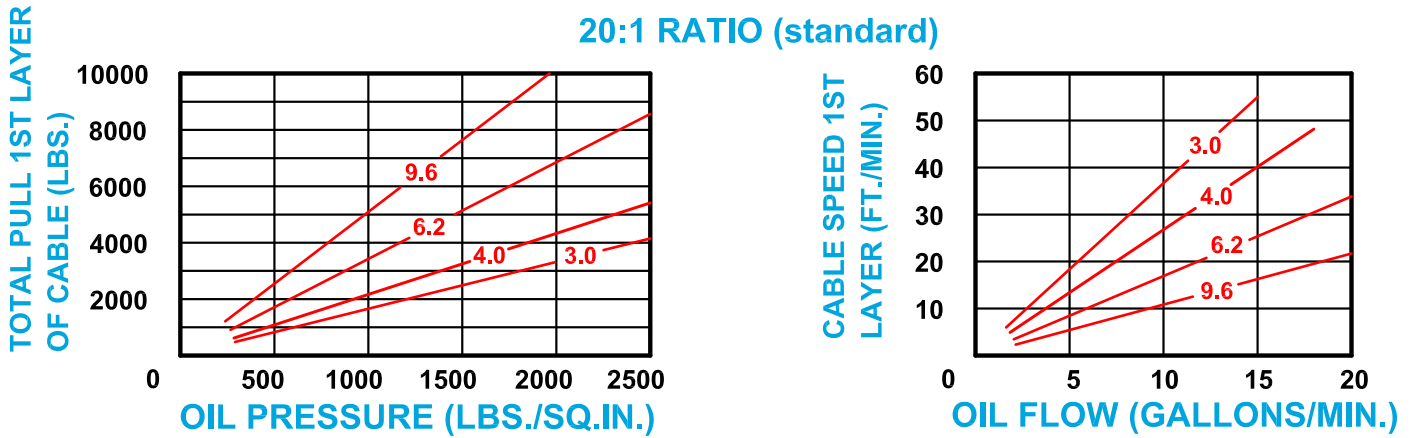
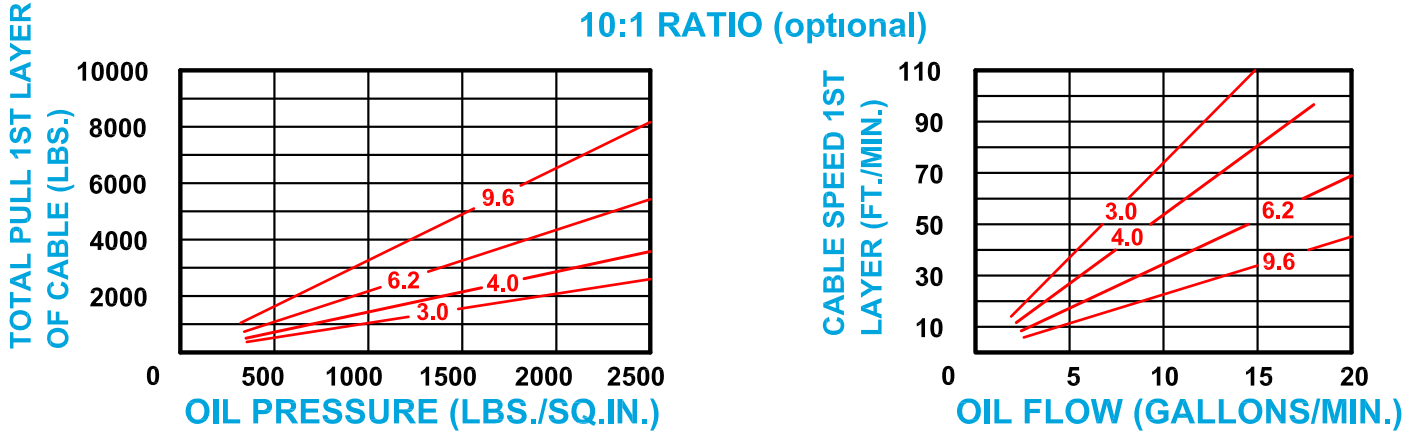
Series LS10H Vanging Galv W/ 4" Core

With Hydraulic Fail-safe Brake

Model Selection from Performance Data



"Quality Since 1910"



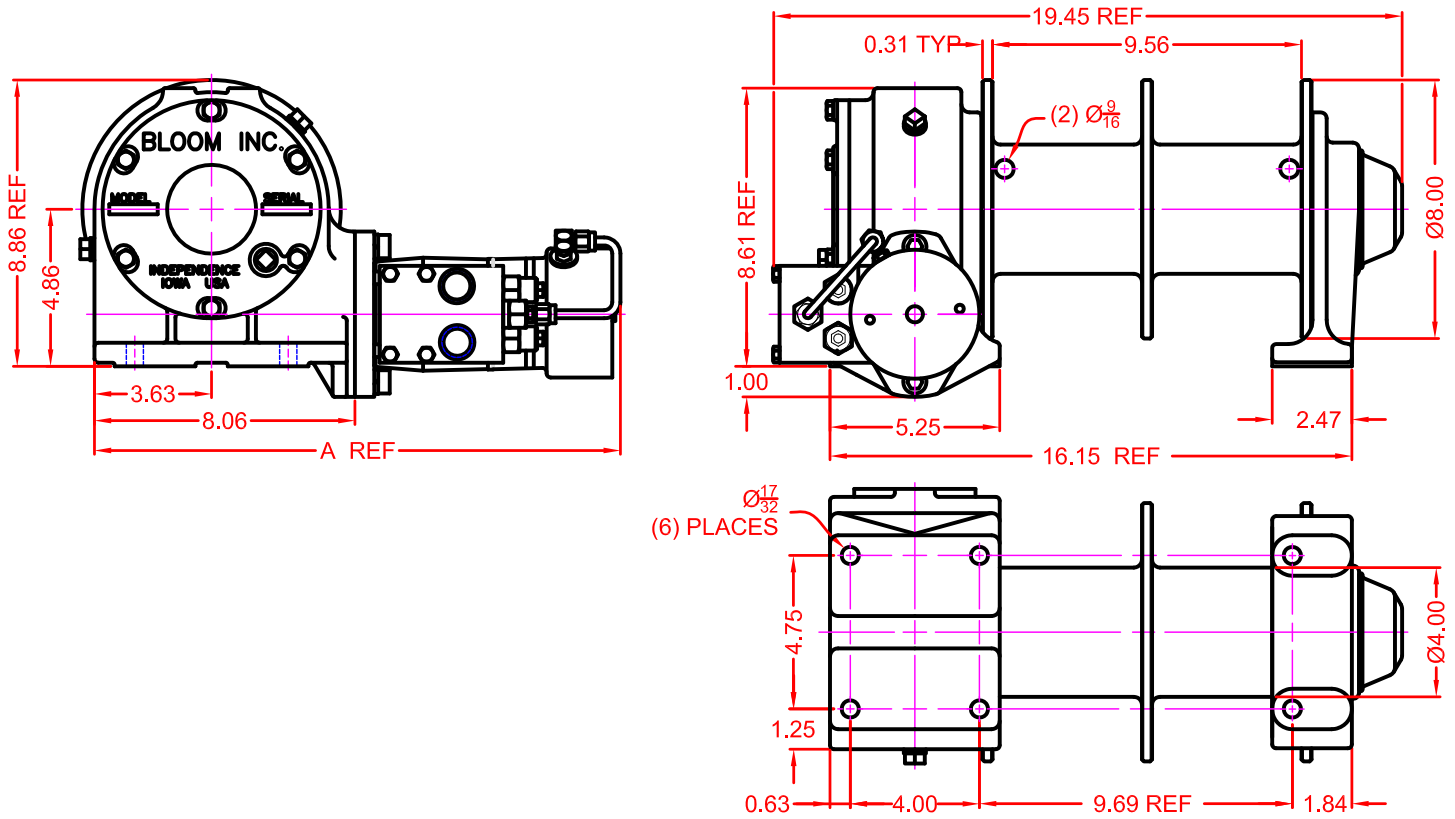


“Quality Since
1910”

LIFT-SAFE®

Dimensional Drawings

Series LS10H Vanging
With L8 (5118) Split Drum
Base Mount Model - Direct Drive



MOTOR DESIGNATION	3.0	4.0	6.2	9.6
Ⓐ DIMENSION	15.91	16.03	16.28	16.53

LIFT-SAFE®

Correct choice of Directional Control Valves for Lift-Safe® Winches

All **Lift-Safe®** Winches require a **Motor Spool Control Valve**.

That is the valve's work ports are **open** to tank in neutral position.

*Winches require ridged mounting plate.
See owner's manual for information about proper mounting plate thickness or call Bloom Sales Engineer at factory

WARNING!

Goods are not intended for use in the moving or lifting of persons!

The winches described herein are neither designed nor intended for use or application to equipment used in the lifting or moving of persons and it is understood that all such use shall be at the sole risk of the user.

The cable clamps on winches are not designed to hold rated loads. A minimum of 5 wraps of cable must be left on drum barrel to guarantee holding of rated load.

Applications of winch where life would be endangered by any event are not recommended.



BLOOM Manufacturing Inc. **Winch Division**

1443 220th Street,, Independence, Iowa 50644

FAX 319-827-1140 PHONE 319-827-1139