

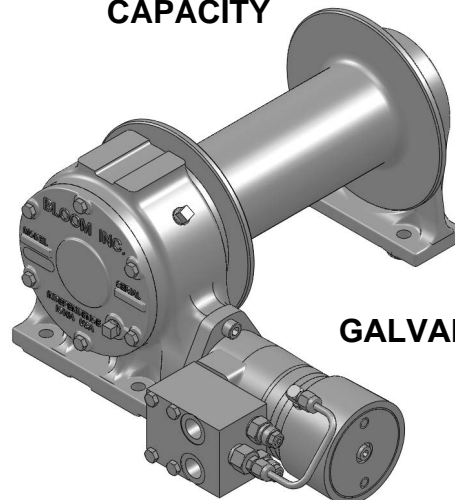
## Series LS10H Galv

“Quality Since  
1910”

### **Hydraulic Cable Winches**

Lift-Safe® hydraulic winches are specifically designed for lifting applications and optimum load control. Engineered for enhanced safety with redundant braking systems, and available in a variety of configurations. Lift-Safe® winches utilize the **DUET-SAFE® Double Action Braking System** to provide both static and dynamic braking. Lift-Safe® winches offer increased operational flexibility, and superior load control in lifting applications. **Series LS10H Galv** direct drive winches can be used on small cranes, rear load waste packers, drill rigs, fishing boats, marine craft, mining and logging operations.

**UP TO 12,000 POUNDS  
CAPACITY**



**GALVANIZED**

### Lift-Safe® Hydraulic Cable Winches – Standard Features

- MOTOR-BRAKE** - **DUET-SAFE® Double Action Braking System** combines a powerful spring applied, hydraulic released motor-brake with a double counter balance brake valve to automatically hold loads when hydraulic pressure is released and control speed during lowering operations. Winch is ideal for high speed lifting and pulling applications or wherever load holding is critical.
- GEAR CASE** - Made of high strength cast iron. Completely sealed for oil enclosed operation and to keep dirt out.
- WORM SHAFT** - One piece alloy steel hardened and ground for extra durability. Compact design allows hydraulic motor to be coupled directly to worm.
- WORM GEAR** - High tensile aluminum-nickel alloy bronze. Optimum lead and pressure angles transmit maximum power to the drum.
- GEAR RATIO** - 20:1 standard, 10:1, 27:1, 40:1 optional ratios provide optimum efficiency in power and speed.
- BEARINGS** - Worm gear and worm shaft run on tapered roller bearings. Outer end housing has sealed ball bearing.
- DRUM SHAFT** - 1-1/2" diameter heat-treated alloy steel minimum tensile strength 150,000 psi.
- CABLE DRUM** - Tough all steel construction resists breakage or warping.



www.bloommfg.com

# BLOOM

Manufacturing Inc.

Winch Division

**“Custom Engineered Solutions”**

**Lifting  
Pulling  
Hoisting**

Toll Free Number: 1-800-394-1139

1443 220<sup>th</sup> Street,, Independence, Iowa 50644 • FAX: 319-827-1140 • PHONE: 319-827-1139

## Series LS10H Galv Model Selection from Performance Data

### MODEL EXAMPLE: LS10H-3.0T-L8-10-LP-GALV

LS10H = Lift-Safe Series LS10H Galv  
with 1-1/2" Drum Shaft

Galvanized

Low Profile Mounting  
(specify with or without  
mounting angles)

Hydraulic Motor Designation  
3.0T, 4.0T, 6.2T, 9.6T

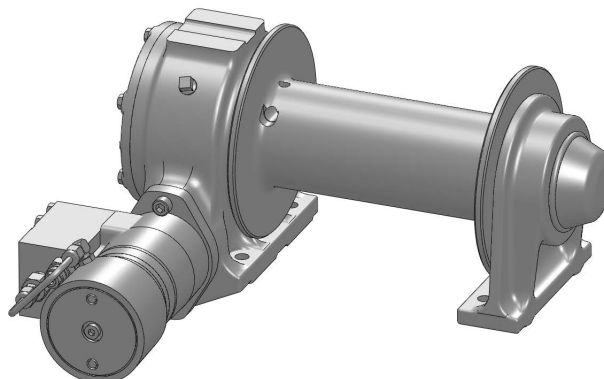
Gear Ratios  
10:1, 20:1, 27:1, 40:1

Drum Sizes  
S8, L8, XL10, XL12, XL14  
with 4" Core

H = Integral Fail-Safe Brake

### DRUM CAPACITY

CABLE DIAMETER (IN.)	1/4	5/16	3/8	7/16	1/2
DRUM "S8" CAPACITY (FT.)	260	160	105	75	55
DRUM "L8" CAPACITY (FT.)	390	240	160	110	80
DRUM "XL10" CAPACITY (FT.)	840	550	340	250	170
DRUM "XL12" CAPACITY (FT.)	1320	840	580	380	280
DRUM "XL14" CAPACITY (FT.)	1900	1180	760	540	410



# Lift Safe® Cable Winches

## Series LS10H Galv W/ 4" Core

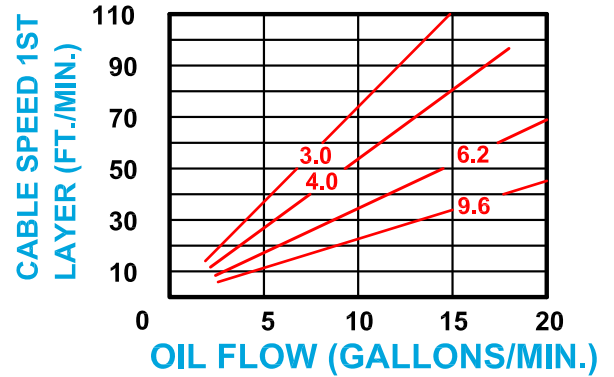
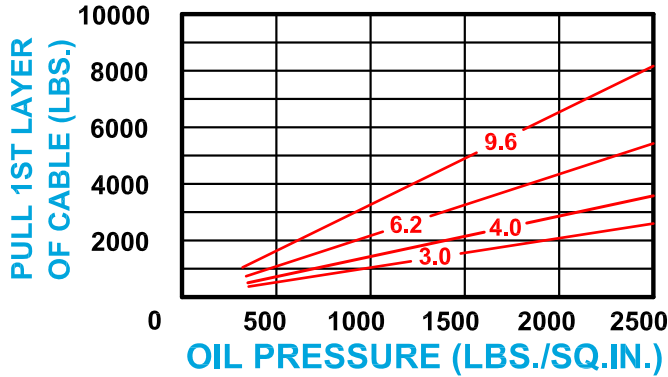


"Quality Since 1910"

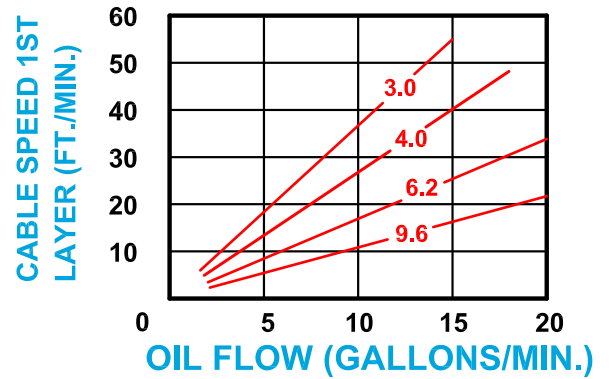
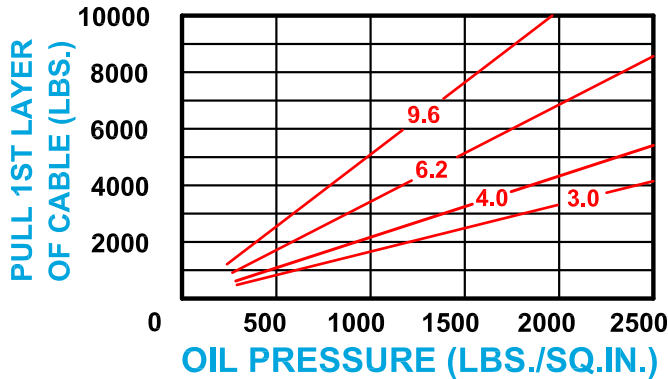
With Hydraulic Fail-safe Brake

Model Selection from Performance Data

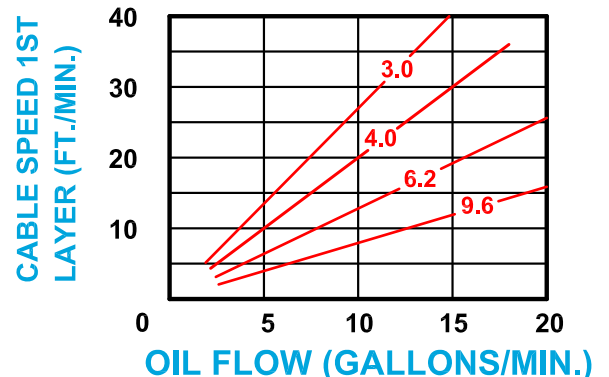
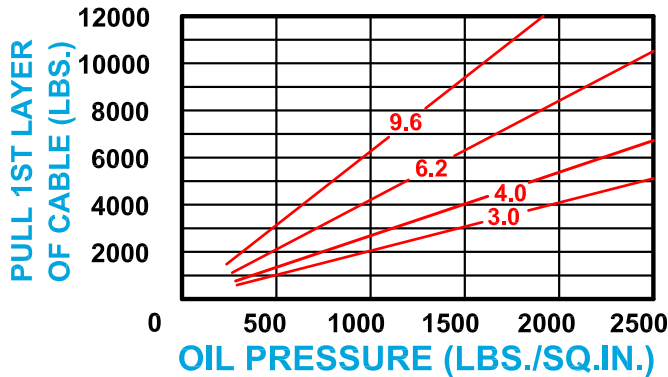
### 10:1 RATIO (optional)



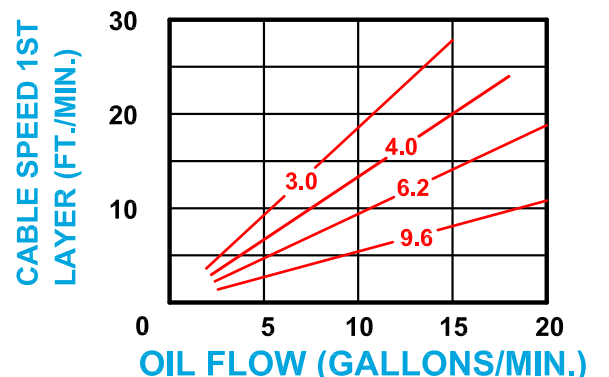
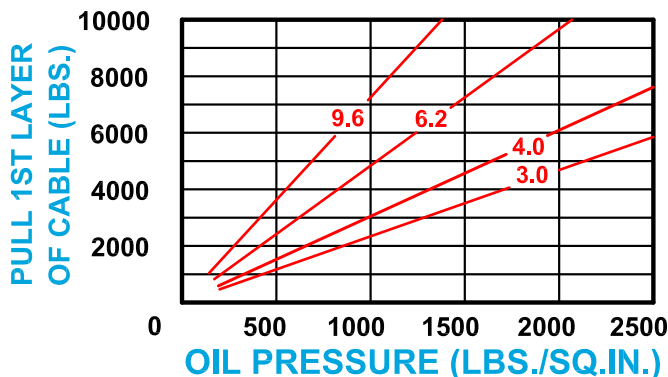
### 20:1 RATIO (standard)



### 27:1 RATIO (optional)



### 40:1 RATIO (optional)



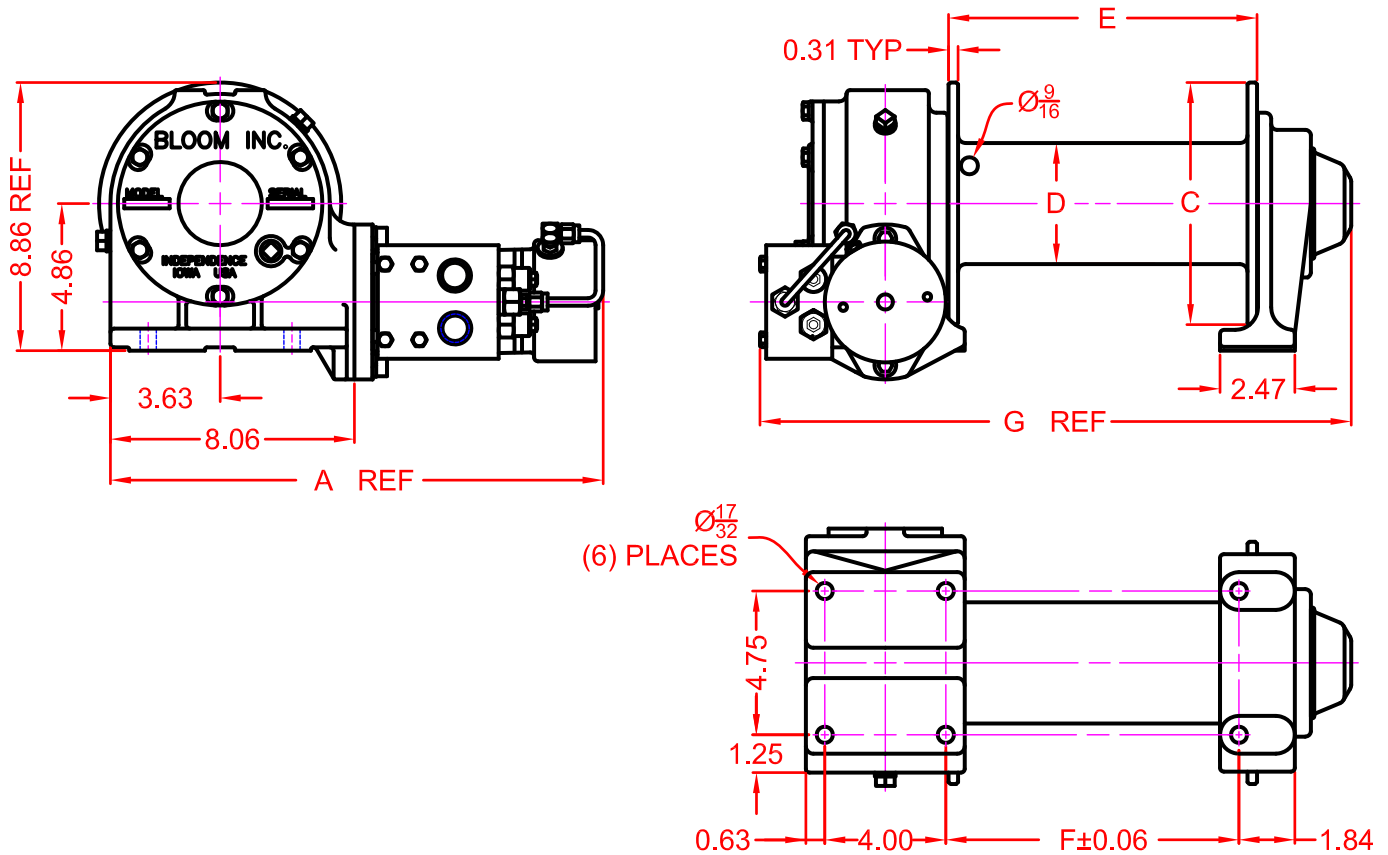


“Quality Since  
1910”

# LIFT-SAFE®

## Dimensional Drawings

Series LS10H Galv With S8 and L8 Drum  
Base Mount Model - Direct Drive



MOTOR DESIGNATION	3.0	4.0	6.2	9.6
(A) DIMENSION	15.91	16.03	16.28	16.53

DRUM DESIGNATION	WINCH DIMENSION				
	C	D	E	F	G
S8	8	4	7.19	6.69	16.53
L8	8	4	10.19	9.69	19.53

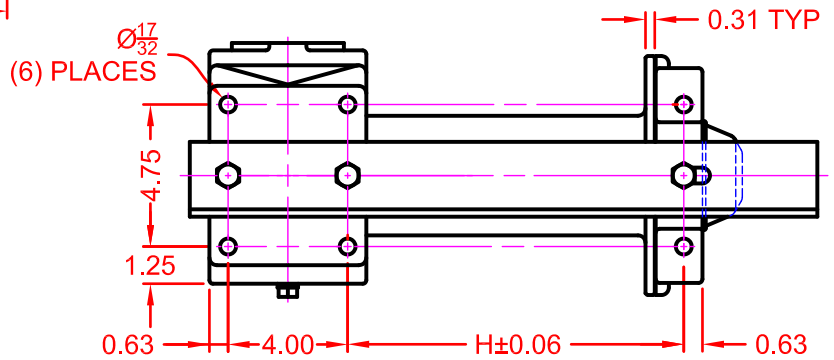
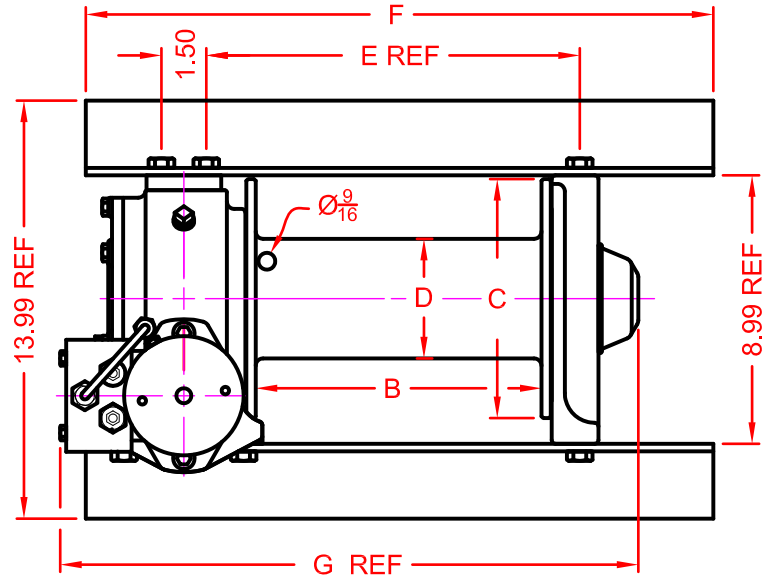
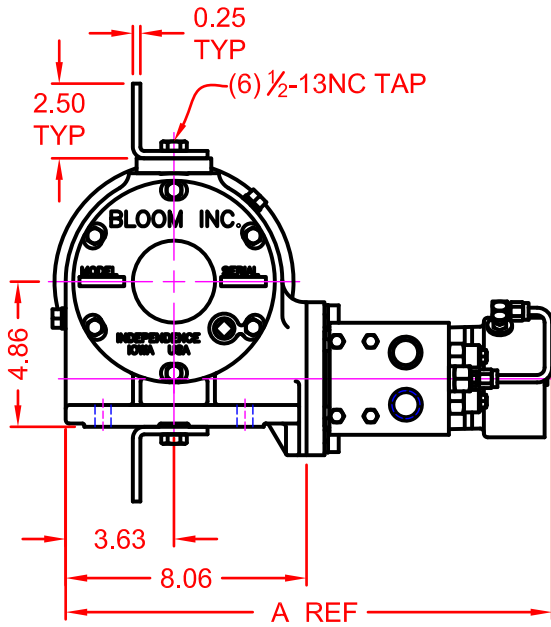


# LIFT-SAFE®

"Quality Since 1910"

## Dimensional Drawings

Series LS10H Galv With S8 and L8 Drum  
Low Profile Model - Direct Drive



MOTOR DESIGNATION	3.0	4.0	6.2	9.6
(A) DIMENSION	15.91	16.03	16.28	16.53

DRUM DESIGNATION	WINCH DIMENSION						
	B	C	D	E	F	G	H
S8	7.19	8	4	9.50	18.00	16.35	8.25
L8	10.19	8	4	12.50	21.00	19.35	11.25

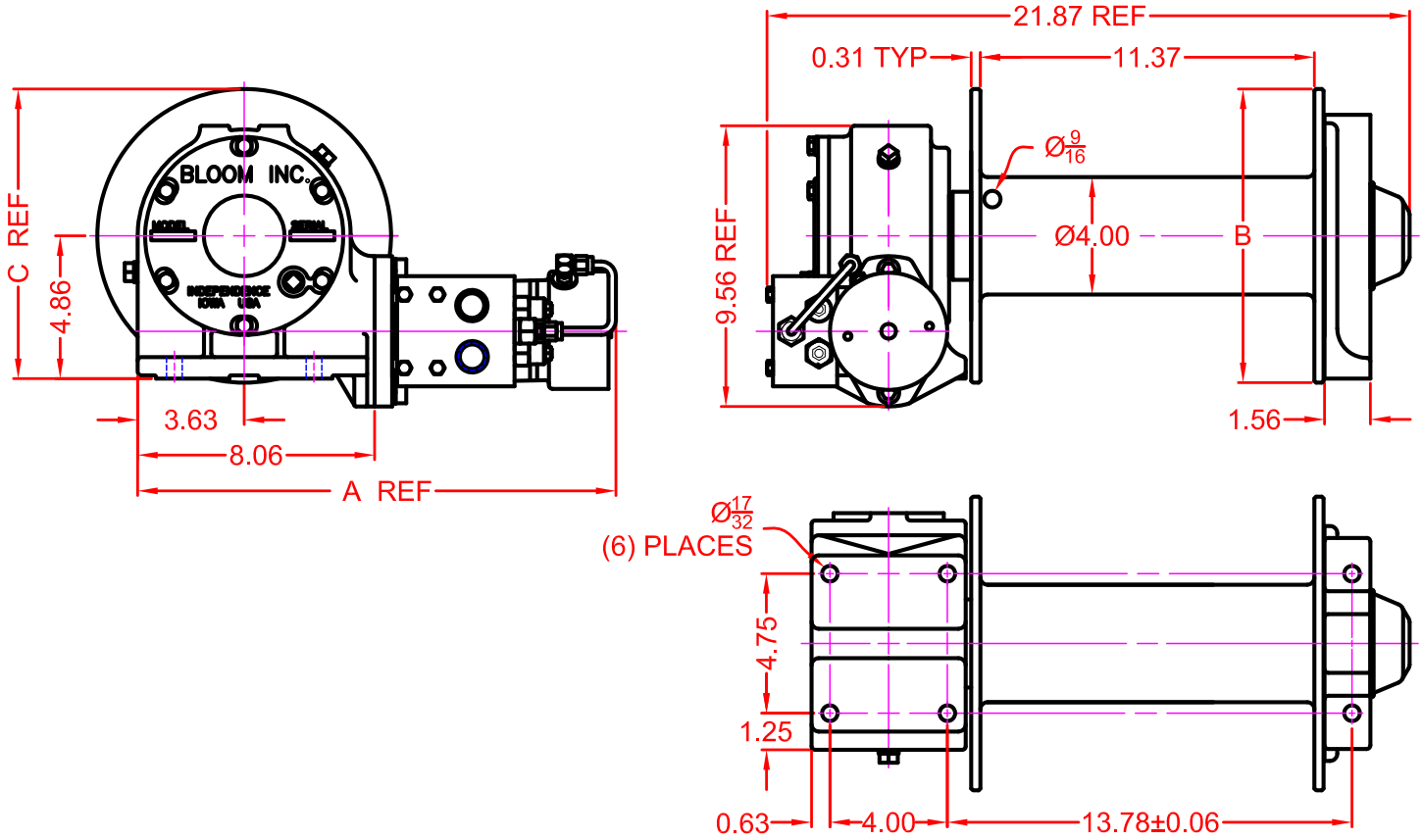


"Quality Since  
1910"

# LIFT-SAFE®

## Dimensional Drawings

Series LS10H Galv With XL10, XL12 and XL14 Drum  
Base Mount Model - Direct Drive



MOTOR DESIGNATION	3.0	4.0	6.2	9.6
(A) DIMENSION	15.91	16.03	16.28	16.53

DRUM DESIGNATION	XL10	XL12	XL14
B DIMENSION	10	12	14
C DIMENSION	9.86	10.86	11.86

# LIFT-SAFE®

## Correct choice of Directional Control Valves for Lift-Safe® Winches

All **Lift-Safe®** Winches require a **Motor Spool Control Valve**.

That is the valve's work ports are **open** to tank in neutral position.

\*Winches require ridged mounting plate.  
See owner's manual for information about proper mounting plate thickness or call Bloom Sales Engineer at factory

### **WARNING!**

Goods are not intended for use in the moving or lifting of persons!

The winches described herein are neither designed nor intended for use or application to equipment used in the lifting or moving of persons and it is understood that all such use shall be at the sole risk of the user.

The cable clamps on winches are not designed to hold rated loads. A minimum of 5 wraps of cable must be left on drum barrel to guarantee holding of rated load.

Applications of winch where life would be endangered by any event are not recommended.



## **BLOOM Manufacturing Inc.** **Winch Division**

1443 220<sup>th</sup> Street,, Independence, Iowa 50644

FAX 319-827-1140 PHONE 319-827-1139