

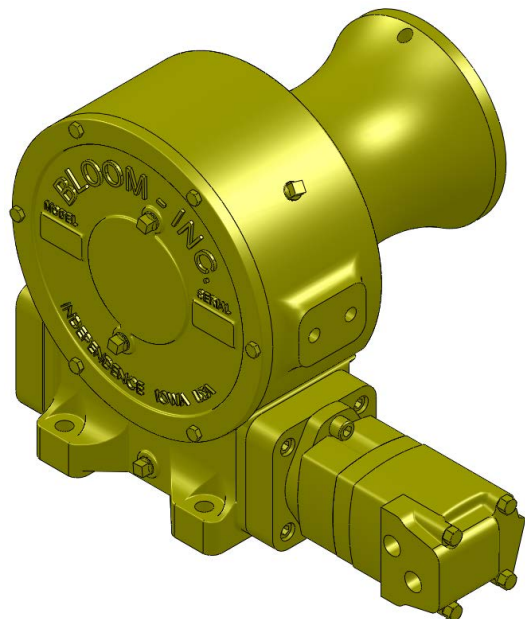
# BLOOM™ WINCH



## Series 1400

### HYDRAULIC CAPSTAN WINCHES

"Quality Since  
1910"



Series 1400 Capstan

***Fast Dependable  
Bloom Winches***

***A Pull Above  
the Rest***

Series 1400 capstan may be ordered  
galvanized.

## Bloom™ Hydraulic Speed Reducers – Standard Features

- GEAR CASE** - Made of high strength cast iron. Completely sealed for oil enclosed operation and to keep dirt out.
- WORM SHAFT** - One piece alloy steel hardened and ground to insure long service.
- WORM GEAR** - High tensile aluminum-nickel alloy bronze. Use of optimum lead and pressure angles transmit maximum power to the drum efficiently.
- GEAR RATIO** - 25:1 and 12.5:1 ratios provide optimum efficiency in power and speed.
- BEARINGS** - Worm gear and worm shaft run on tapered roller bearings in an oil enclosed gear case.
- OUTPUT SHAFT** - 2 1/4" diameter heat -treated alloy steel minimum tensile strength 150,000 psi.
- CAPSTAN** - Cast aluminum - keyed to shaft.
- MOTOR MOUNT** - SAE(A) 2-bolt flange. 1 1/4" woodruff keyed motor shaft. Motor is directly coupled into worm shaft. No separate coupling required.



# BLOOM

Manufacturing Inc.

Winch Division

***Lifting  
Pulling  
Hoisting***

Toll Free Number: 1-800-394-1139

www.bloommfg.com

**"Custom Engineered Solutions"**

1443 220<sup>th</sup> Street,, Independence, Iowa 50644 • FAX: 319-827-1140 • PHONE: 319-827-1139

# **BLOOM™ WINCH**



*“Quality Since  
1910”*

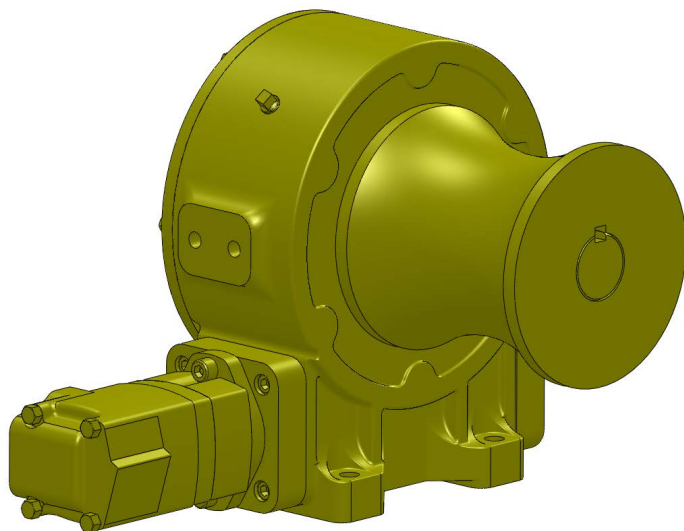
## **Series 1400**

### **HYDRAULIC CAPSTAN WINCHES**

## **Industry Applications**

**Utility** - Series 1400 is specifically designed to handle the daily needs of the utility industry

**Fishing & Marine** – The Series 1400 provides optimum performance in marine applications and environments. Bloom Capstan Winches are commonly used as pot and net haulers, and for dock and barge applications



**Series 1400 Capstan**

## **Four Series 1400 Capstan Models Available**

**MODEL 14-6.2-SR-CAP-12.5**

12.5:1 RATIO. Pulls 4000 pounds at 100 feet per minute.

**MODEL 14-6.2-SR-CAP-12.5-GALV**

12.5:1 RATIO. Pulls 4000 pounds at 100 feet per minute.

**MODEL 14-6.2-SR-CAP-25**

25:1 RATIO. Pulls 7800 pounds at 55 feet per minute.

**MODEL 14-6.2-SR-CAP-25-GALV**

25:1 RATIO. Pulls 7800 pounds at 55 feet per minute.

Based at 3000 P.S.I. And 25 GPM

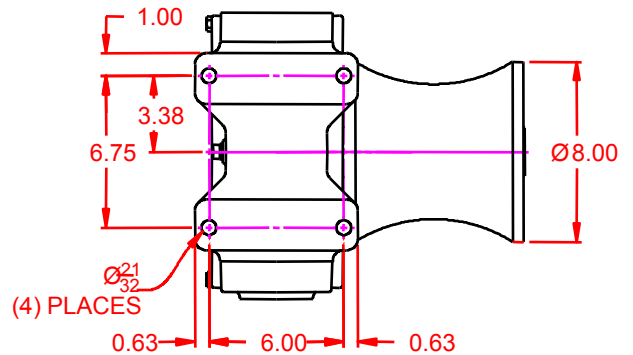
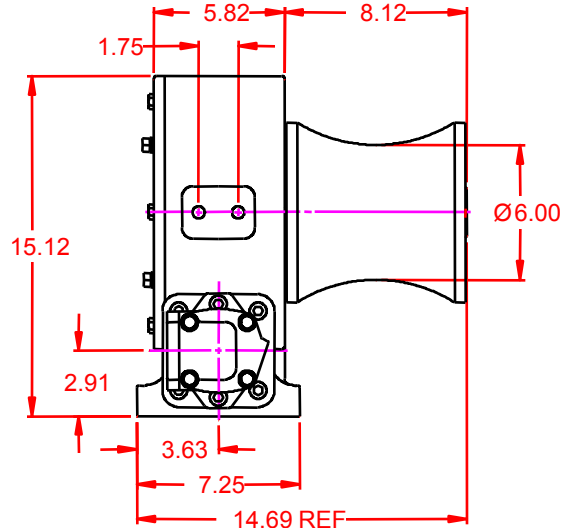
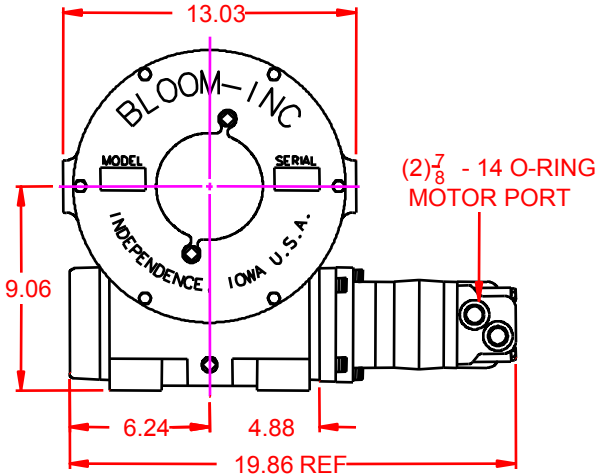
# BLOOM™ WINCH



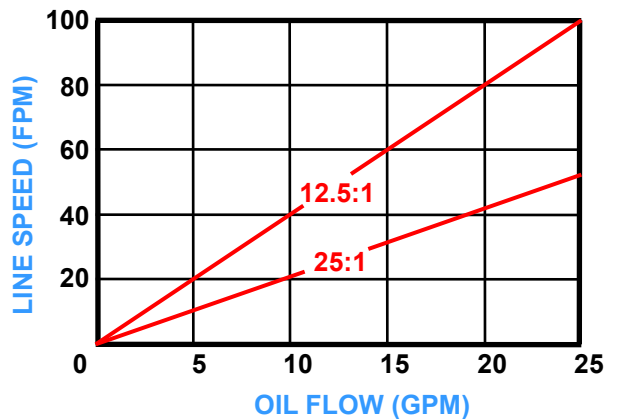
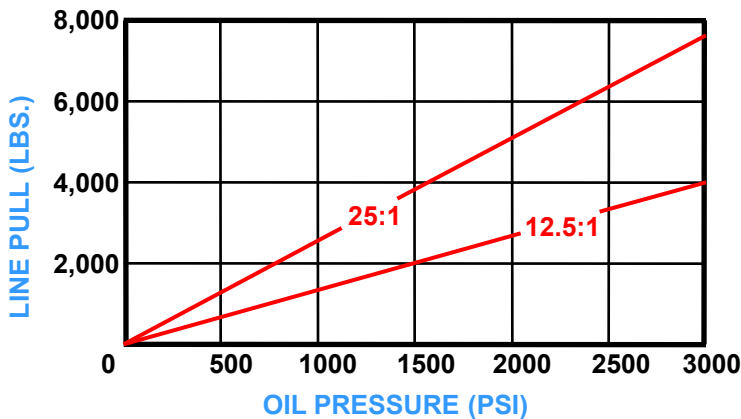
## Dimensional Drawings

### Series 1400 Capstan

"Quality Since 1910"



## Performance Data



# **BLOOM™ WINCH**

## Correct choice of Directional Control Valves for Bloom Winches

**Tandem Center Spool Valve** – Work Ports are **blocked** in neutral position

Use on all winches that use motor only to hold load.

\*Winches require ridged mounting plate.  
See owner's manual for information about proper mounting plate thickness or call Bloom Sales Engineer at factory

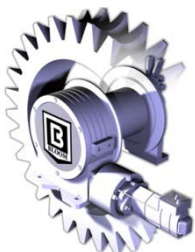
### **WARNING!**

Goods are not intended for use in the moving or lifting of persons!

The winches described herein are neither designed nor intended for use or application to equipment used in the lifting or moving of persons and it is understood that all such use shall be at the sole risk of the user.

The cable clamps on winches are not designed to hold rated loads. A minimum of 5 wraps of cable must be left on drum barrel to guarantee holding of rated load.

Applications of winch where life would be endangered by any event are not recommended.



## **BLOOM Manufacturing Inc.** **Winch Division**

1443 220<sup>th</sup> Street,, Independence, Iowa 50644

FAX 319-827-1140 PHONE 319-827-1139

[www.bloommfg.com](http://www.bloommfg.com)

©Copyright 2015 Bloom Mfg. Inc.