

# BLOOM™ WINCH

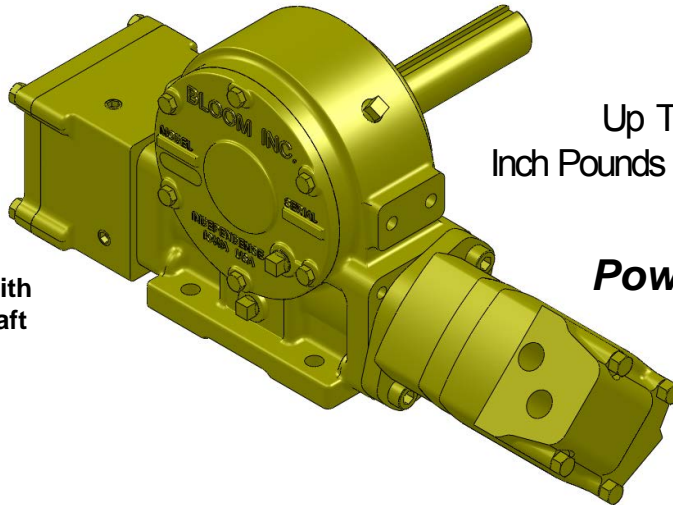


## Series 1200

*"Quality Since*

### *Hydraulic Speed Reducer*

The rugged construction and versatility of the **Series 1200 Speed Reducer** is ideal for stationary & mobile applications where slow speed, high torque, or variable speed and reversing are needed. Applications include paving and curb forming, ditching, irrigation and plastic and extruding equipment. Available with a oil cooled adjustable automatic safety brake.



Series 1200 shown with right hand output shaft

Up To 24,000  
Inch Pounds of Output Torque

**Powerful – Compact  
Efficient**

## Bloom™ Hydraulic Speed Reducers – Standard Features

- |                     |                                                                                                                      |
|---------------------|----------------------------------------------------------------------------------------------------------------------|
| <b>GEAR CASE</b>    | - Made of high strength cast iron. Completely sealed for oil enclosed operation and to keep dirt out.                |
| <b>WORM SHAFT</b>   | - One piece alloy steel hardened and ground to insure long service. The hydraulic motor couples direct to the shaft. |
| <b>WORM GEAR</b>    | - High tensile aluminum-nickel alloy bronze . Optimum lead and pressure angles transmit maximum power to the drum.   |
| <b>GEAR RATIO</b>   | - 20:1 standard, optional 27:1 and 40:1 ratios provide optimum efficiency in power and speed.                        |
| <b>BEARINGS</b>     | - Worm gear and worm shaft run on tapered roller bearings in an oil enclosed gear case                               |
| <b>OUTPUT SHAFT</b> | - 1-1/2" diameter heat -treated alloy steel minimum tensile strength 150,000 psi.                                    |
| <b>MOTOR MOUNT</b>  | - SAE (A) 2 bolt flange mount-standard.                                                                              |
| <b>BRAKE OPTION</b> | - Single direction oil cooled adjustable automatic safety brake.                                                     |



# BLOOM

Manufacturing Inc.

Winch Division

*Lifting  
Pulling  
Hoisting*

Toll Free Number: 1-800-394-1139

www.bloommfg.com

**"Custom Engineered Solutions"**

1443 220<sup>th</sup> Street,, Independence, Iowa 50644 • FAX: 319-827-1140 • PHONE: 319-827-1139

# BLOOM™ WINCH



Series 1200

Model Selection from Performance Data

"Quality Since  
1910"

## MODEL EXAMPLE: 12-B-E-SR-RH-20-LP

Gear Case and  
Shaft Designation

12 = Series 1200 with 1-1/2" Output Shaft only

Oil Cooled  
Automatic  
Safety Brake

Hydraulic Motor Designation

A, B, C, DD, E, G, 4.9, 6.2, 8.0, 9.6, 11.9

N - No Motor

IS - Input Shaft

Speed Reducer

Optional

Low Profile Mounting

Gear Ratios

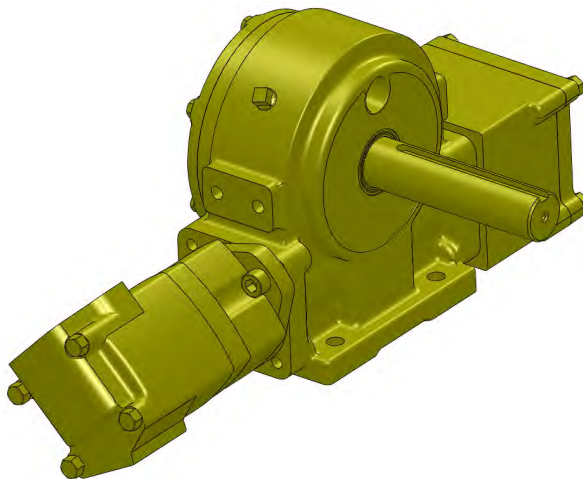
20:1, 27:1, 40:1

**10:1 Not Available**

Shaft Position

RH - Right Hand

LH - Left Hand



# BLOOM™ WINCH

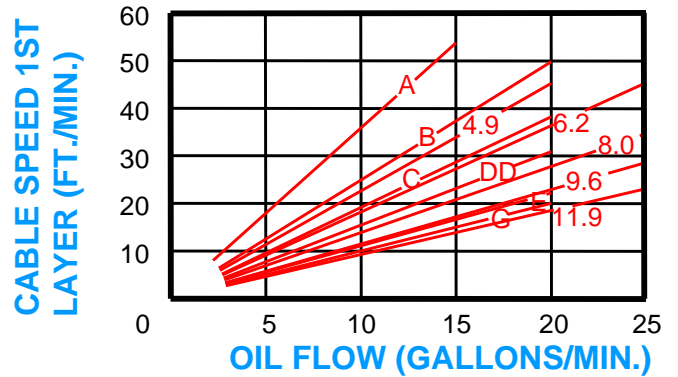
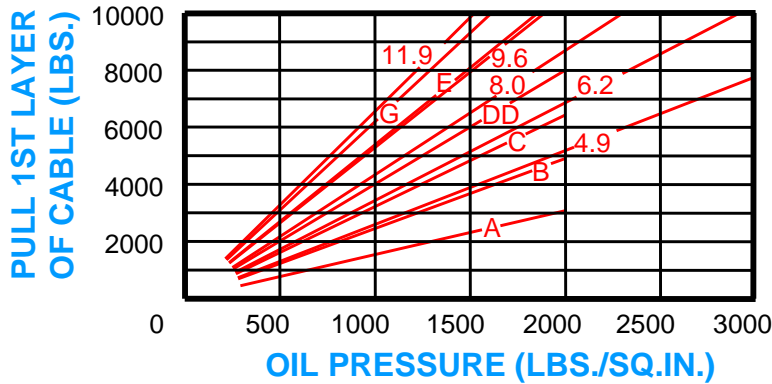


"Quality Since 1910"

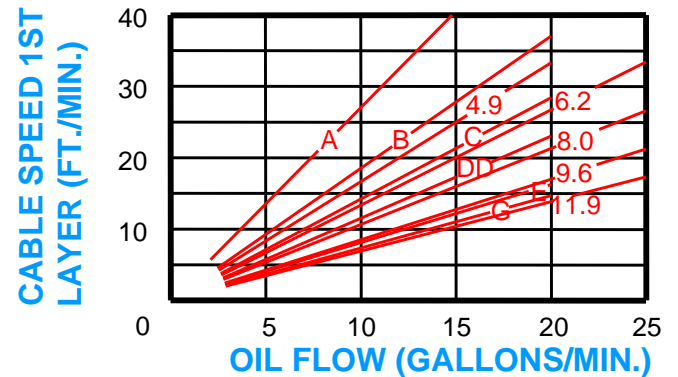
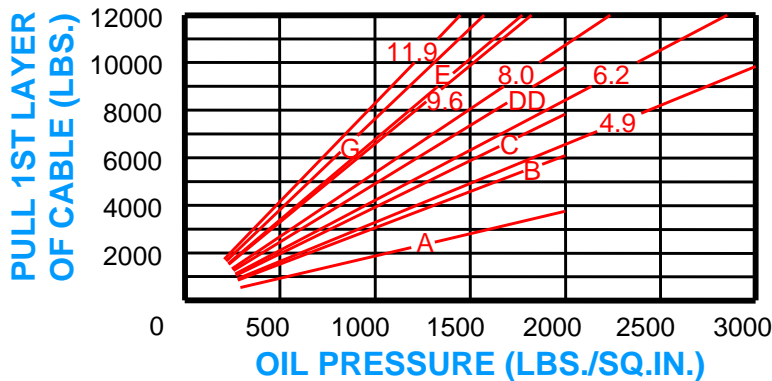
## Series 1200

### Bloom Hydraulic Speed Reducers With Hydraulic Safety Brake Model Selection from Performance Data

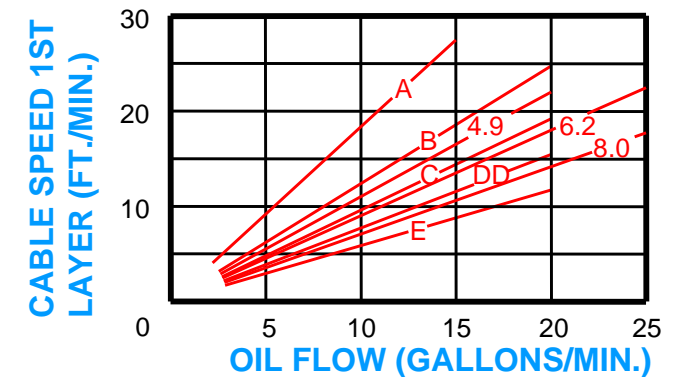
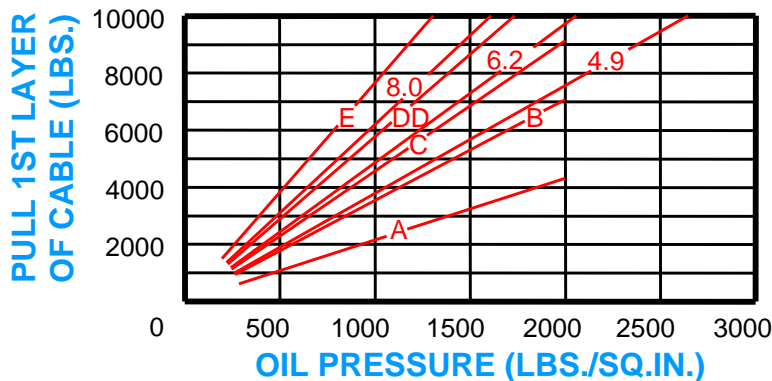
20:1 RATIO (standard)



27:1 RATIO (optional)



40:1 RATIO (optional)



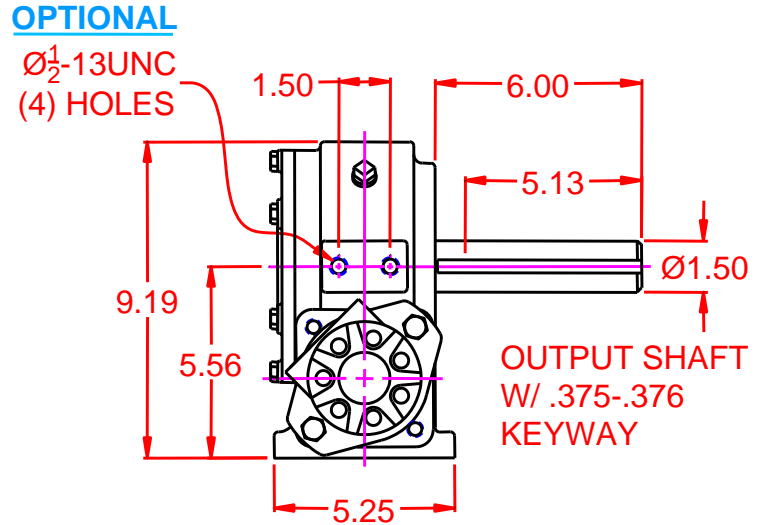
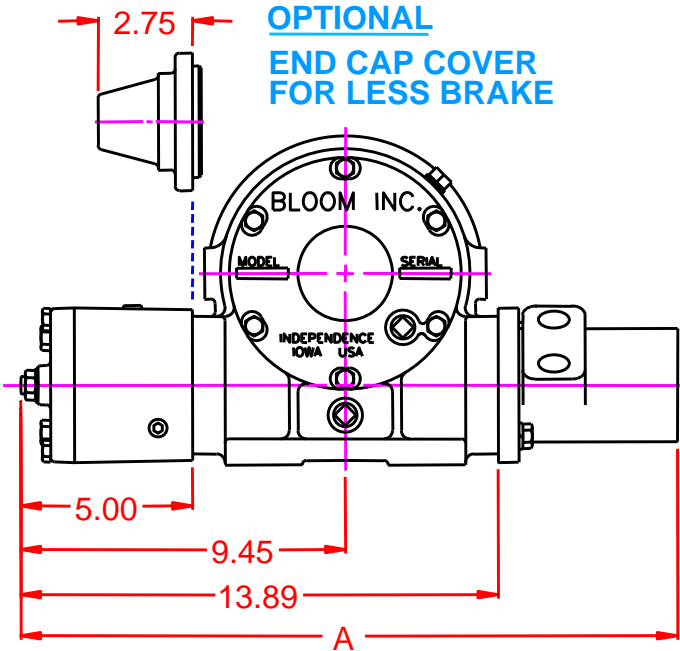
# BLOOM™ WINCH



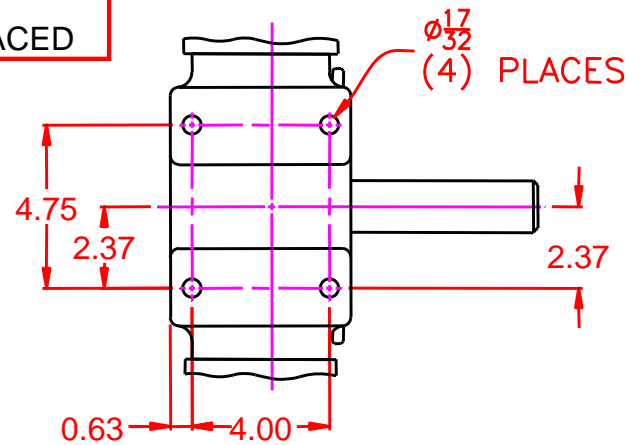
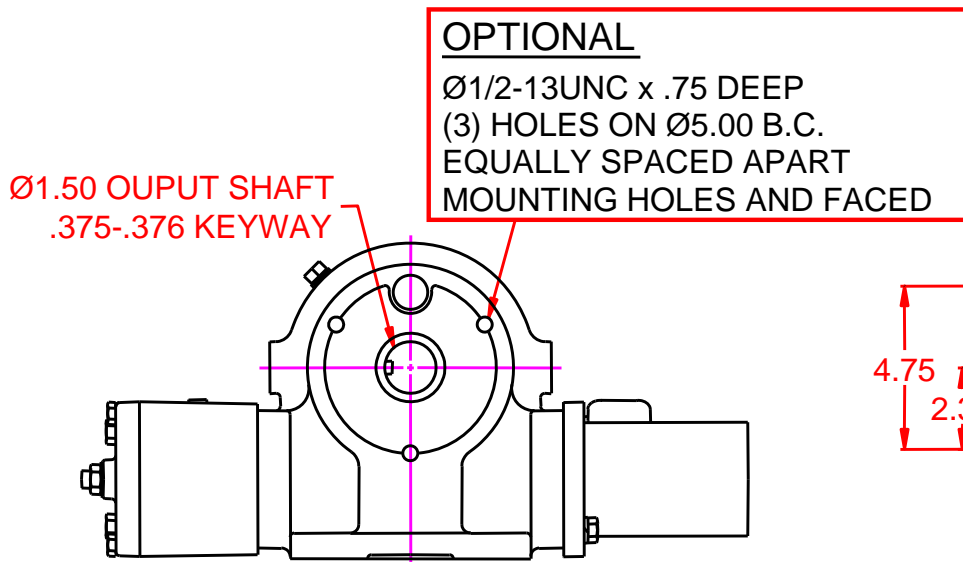
## Dimensional Drawings

Series 1200 Speed Reducer

"Quality Since 1910"



**STANDARD  
RIGHT HAND**



| MOTOR DESIGNATION | A     | B     | C     | DD    | E     | G     | 4.9   | 6.2   | 8.0   | 9.6   | 11.9  |
|-------------------|-------|-------|-------|-------|-------|-------|-------|-------|-------|-------|-------|
| Ⓐ DIMENSION       | 19.11 | 19.26 | 19.38 | 19.51 | 19.73 | 19.86 | 21.15 | 21.33 | 21.58 | 21.58 | 21.85 |

# **BLOOM™ WINCH**

## Correct choice of Directional Control Valves for Bloom Winches

**Tandem Center Spool Valve** – Work Ports are **blocked** in neutral position

Use on all winches that use motor only to hold load.

\*Winches require ridged mounting plate.  
See owner's manual for information about proper mounting plate thickness or call Bloom Sales Engineer at factory

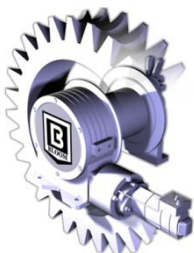
### **WARNING!**

Goods are not intended for use in the moving or lifting of persons!

The winches described herein are neither designed nor intended for use or application to equipment used in the lifting or moving of persons and it is understood that all such use shall be at the sole risk of the user.

The cable clamps on winches are not designed to hold rated loads. A minimum of 5 wraps of cable must be left on drum barrel to guarantee holding of rated load.

Applications of winch where life would be endangered by any event are not recommended.



## **BLOOM Manufacturing Inc.** **Winch Division**

1443 220<sup>th</sup> Street,, Independence, Iowa 50644

FAX 319-827-1140 PHONE 319-827-1139