

BLOOM™ WINCH

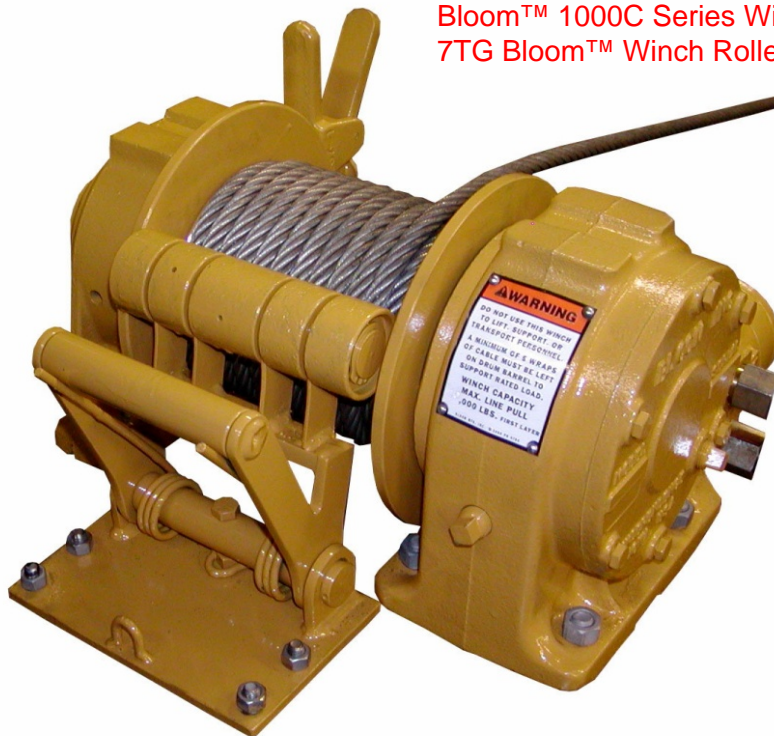


WINCH ROLLER CABLE TENSIONERS

*"Quality
Since 1910"*

The rugged Bloom™ Winch Roller Cable Tensioners help keep the cable on the drum by eliminating slack conditions. Without the tensioner, wire rope cable can balloon off winch drum during slack conditions. Winch Roller Cable Tensioners apply pressure to cable on winch drum which causes the cable to wind smoothly and evenly. Winch Roller Cable Tensioners promote longer cable life by reducing common spooling problems such as bird-nesting, cable kinks and cable flat spots.

Bloom™ 1000C Series Winch Shown With
7TG Bloom™ Winch Roller Cable Tensioner



Bloom™ Winch Roller Cable Tensioners are built with a strong steel frame. Tension is maintained through the use of heavy duty coil springs. Each steel roller is manufactured with a relubeable bronze bushing inside, to keep tensioner rolling smoothly. Tensioners are available in standard sizes for Bloom™ Winches and they are available in custom sizes upon request.



BLOOM

Manufacturing Inc.
Winch Division

*Lifting
Pulling
Hoisting*

Toll Free Number: 1-800-394-1139

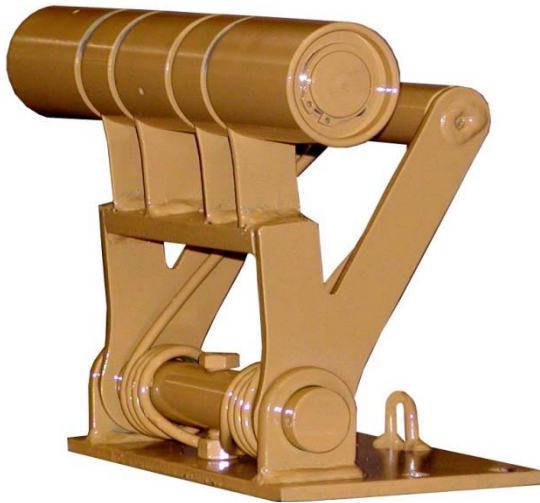
www.bloommfg.com

"Custom Engineered Solutions"

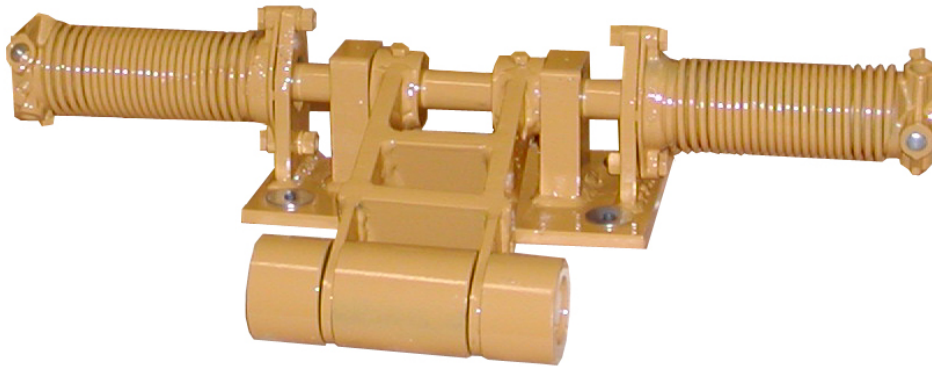
1443 220th Street., Independence, Iowa 50644 • FAX: 319-827-1140 • PHONE: 319-827-1139

BLOOM™ WINCH

WINCH ROLLER CABLE TENSIONERS



<u>Model</u>	<u>Drum Sizes</u>
7 TG	For S8 Drum
7 TGS	For S Drum
10 TG	For L8 Drum
10 TGL	For L Drum
XL TG	For XL Drums



14 STG For S14 and S145 Drums

14 LTG For L14 and L145 Drums



BLOOM
Manufacturing Inc.
— Winch Division —

*Lifting
Pulling
Hoisting*

Toll Free: 1-800-394-1139

www.bloommfg.com

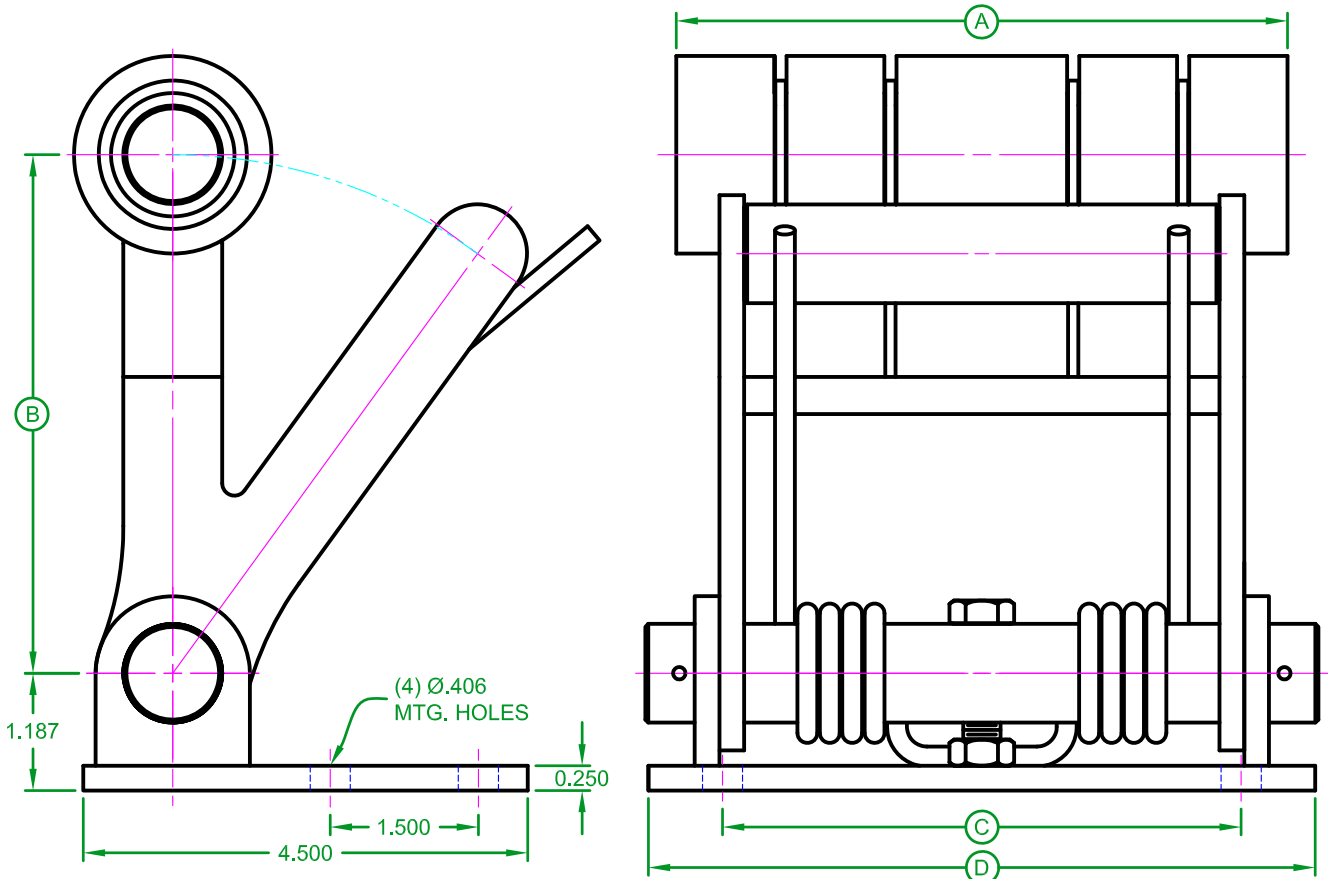
“Custom Engineered Solutions”

1443 220th Street, Independence, Iowa 50644 • Fax: 319-827-1140 • Phone: 319-827-1139

BLOOM™ WINCH

WINCH ROLLER CABLE TENSIONERS

7 TG, 7 TGS, 10 TG, 10 TGL and XL TG



MODEL	7 TG	7 TGS	10 TG	10 TGL	XL TG
(A) DIM.	6.19	6.00	9.19	9.00	11.00
(B) DIM.	5.25	5.25	5.25	5.25	5.25
(C) DIM.	5.25	5.25	5.25	5.25	9.50
(D) DIM.	6.75	6.75	6.75	6.75	11.00



BLOOM

Manufacturing Inc.

Winch Division

**Lifting
Pulling
Hoisting**

Toll Free: 1-800-394-1139

www.bloommfg.com

“Custom Engineered Solutions”

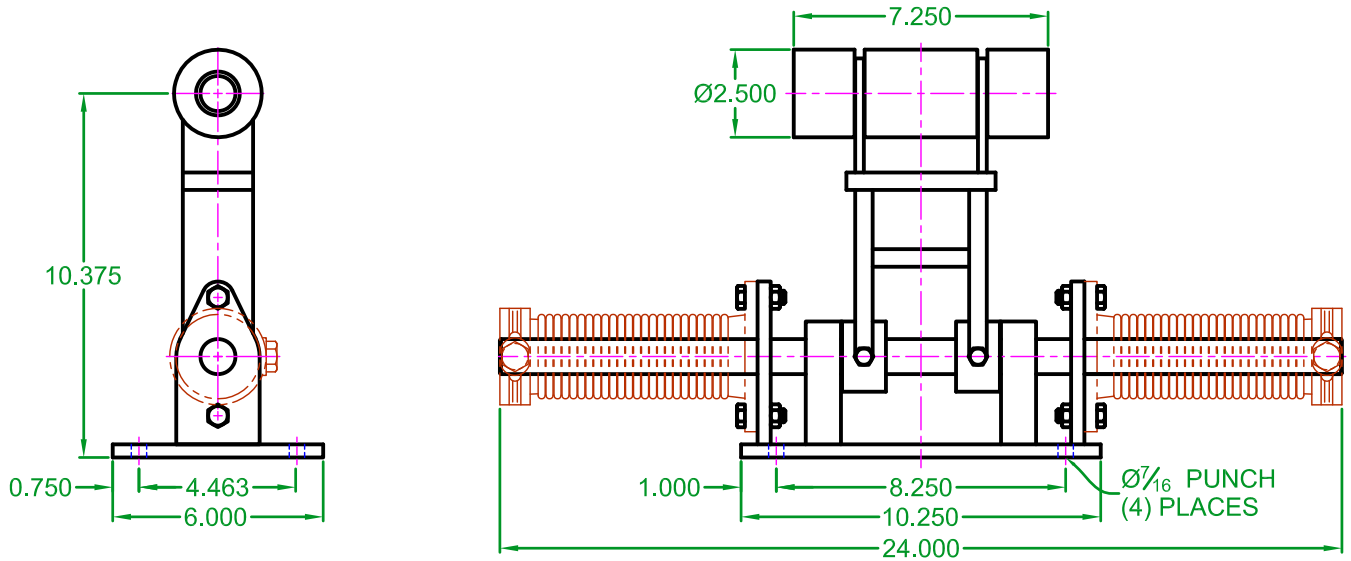
1443 220th Street, Independence, Iowa 50644 • Fax: 319-827-1140 • Phone: 319-827-1139

BLOOM™ WINCH

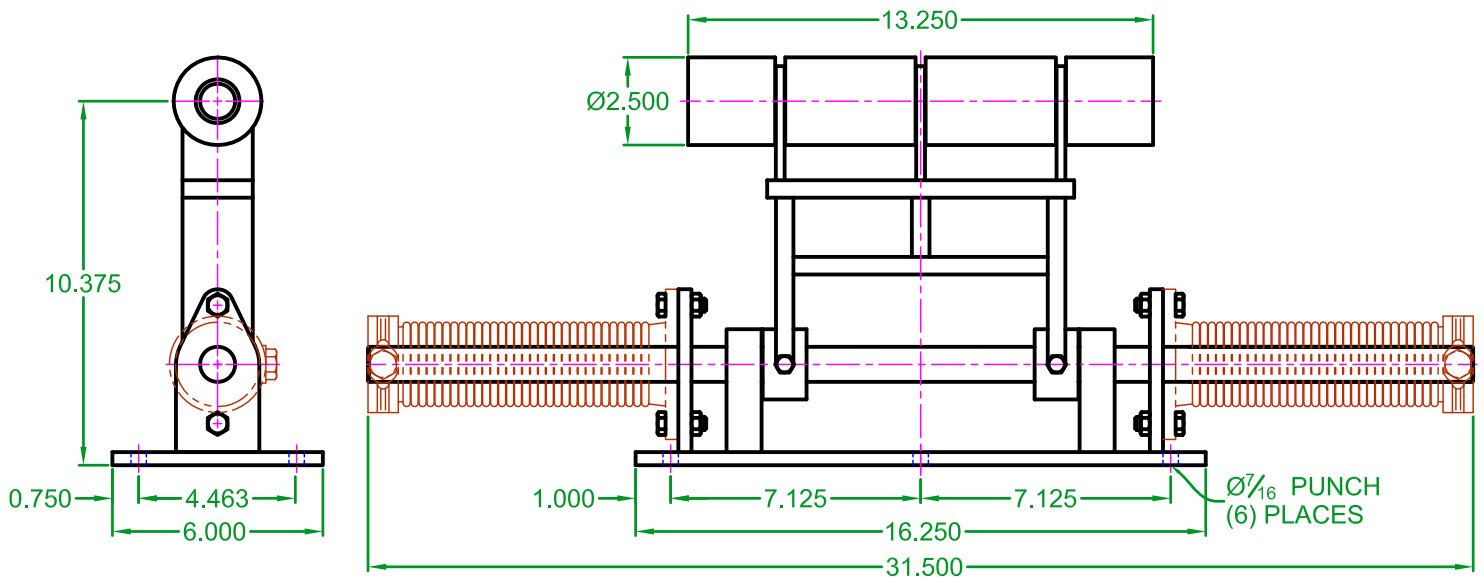
WINCH ROLLER CABLE TENSIONERS

14 SCG and 14 LCG

14 SCG FOR S145 AND S14 DRUMS



14 LCG FOR L145 AND L14 DRUMS



5755TG



BLOOM

Manufacturing Inc.

Winch Division

**Lifting
Pulling
Hoisting**

Toll Free: 1-800-394-1139

www.bloommfg.com

“Custom Engineered Solutions”

1443 220th Street, Independence, Iowa 50644 • Fax: 319-827-1140 • Phone: 319-827-1139