

BLOOM™ WINCH



Series 1400 Galv

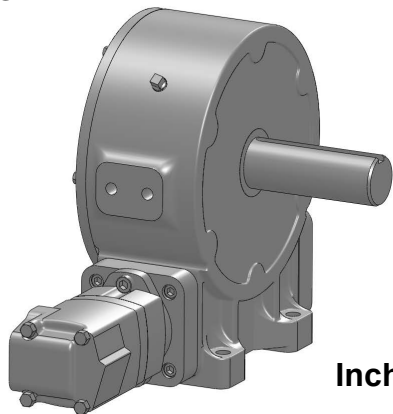
*“Quality Since
1910”*

Hydraulic Speed Reducer

The rugged construction and versatility of the **Series 1400 Galv Speed Reducer** is ideal for stationary & mobile applications where slow speed, high torque, or variable speed and reversing are needed. Applications include paving and curb forming, ditching, irrigation and plastic and extruding equipment. Available with an optional hydraulic brake.

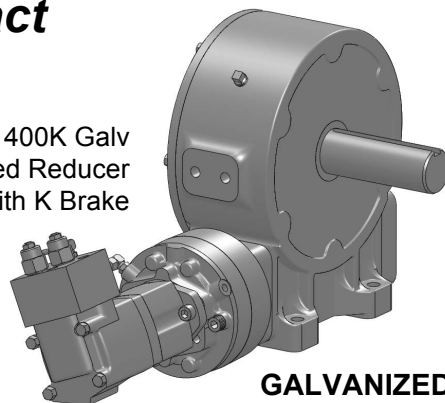
GALVANIZED

**Powerful – Compact
Efficient**



Series 1400 Galv
Speed Reducer

Series 1400K Galv
Speed Reducer
With K Brake



GALVANIZED

**Up To 54,000
Inch Pounds of Output Torque**

Bloom™ Hydraulic Speed Reducers – Standard Features

- | | |
|-----------------------------|--|
| GEAR CASE | - Made of high strength cast iron. Completely sealed for oil enclosed operation and to keep dirt out. |
| WORM SHAFT | - One piece alloy steel hardened and ground to insure long service. The hydraulic motor couples direct to the shaft. |
| WORM GEAR | - High tensile aluminum-nickel alloy bronze cast on high strength ductile iron hub. Optimum lead and pressure angles transmit maximum power to the drum. |
| GEAR RATIO | - 25:1 standard and 12.5:1 optional ratios provide optimum efficiency in power and speed. |
| BEARINGS | - Worm gear and worm shaft run on tapered roller bearings in an oil enclosed gear case. |
| OUTPUT SHAFT | - 2-1/4" diameter heat-treated alloy steel minimum tensile strength 150,000 psi. |
| MOTOR MOUNT | - SAE (A) 2 bolt flange mount-standard. 1 1/4" straight keyed motor shaft. Motor is directly coupled into worm shaft. No separate coupling required. |
| OPTIONAL
K BRAKE | - Optional spring applied hydraulic release fail-safe brake automatically holds load when hydraulic pressure is released. |



BLOOM

Manufacturing Inc.

Winch Division

**Lifting
Pulling
Hoisting**

Toll Free Number: 1-800-394-1139

www.bloommfg.com

“Custom Engineered Solutions”

1443 220th Street, Independence, Iowa 50644 • FAX: 319-827-1140 • PHONE: 319-827-1139

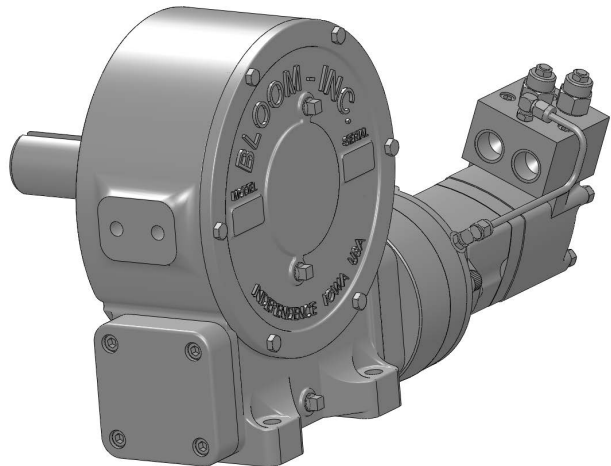
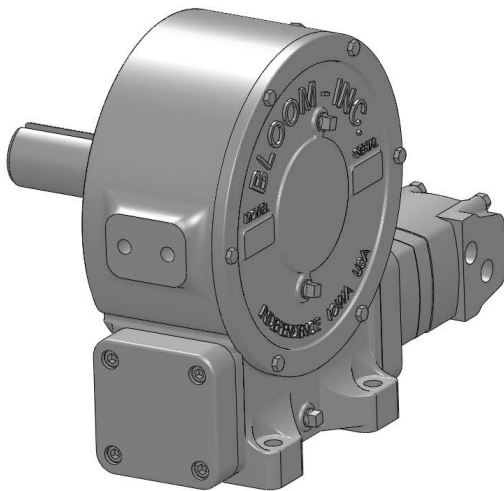
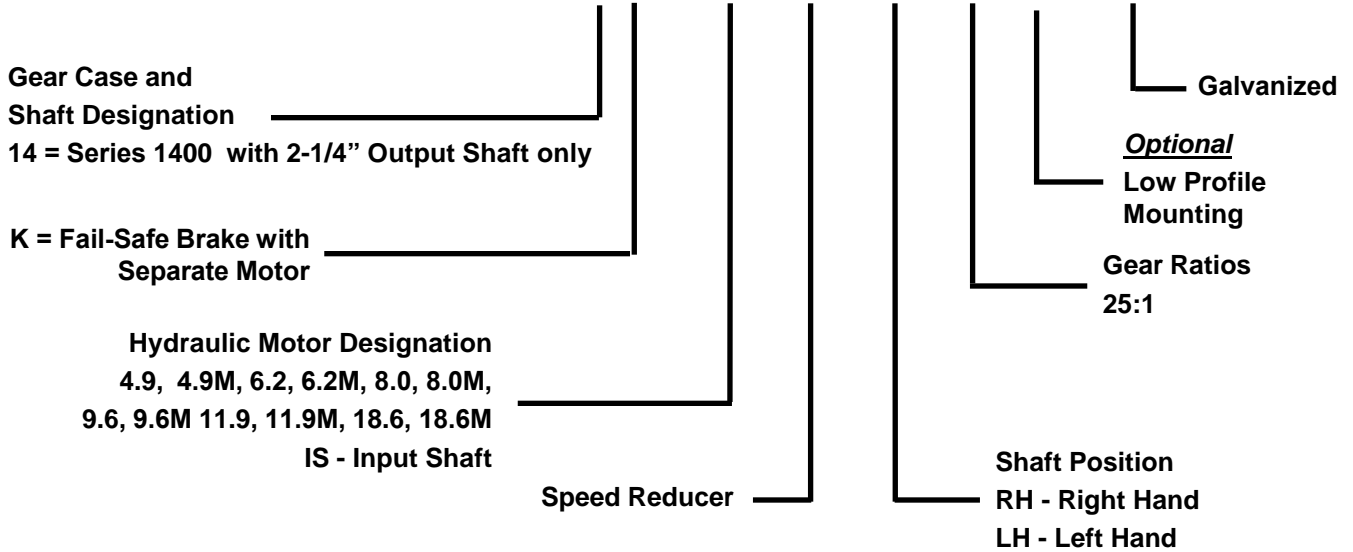
BLOOM™ WINCH



Series 1400 Galv

Model Selection from Performance Data

MODEL EXAMPLE: 14K-4.9M-SR-RH-25-LP-GALV



BLOOM™ WINCH

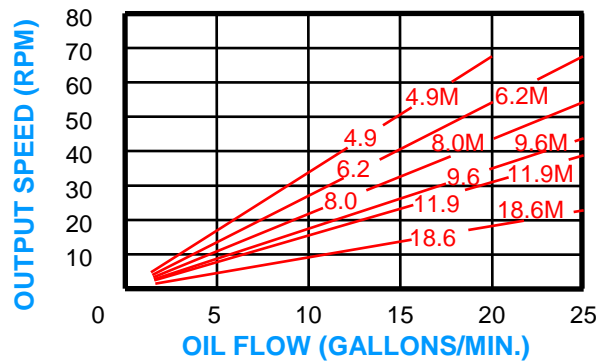
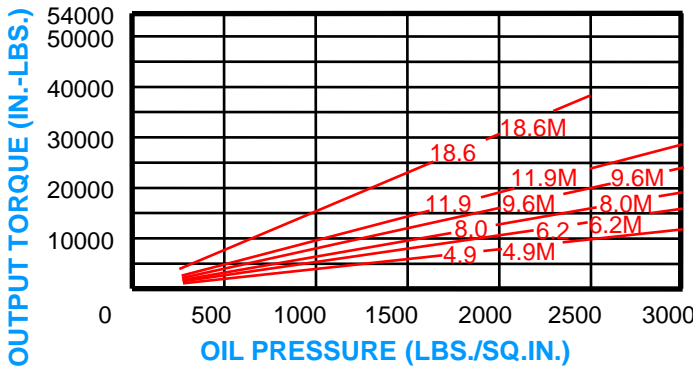


Series 1400 Galv

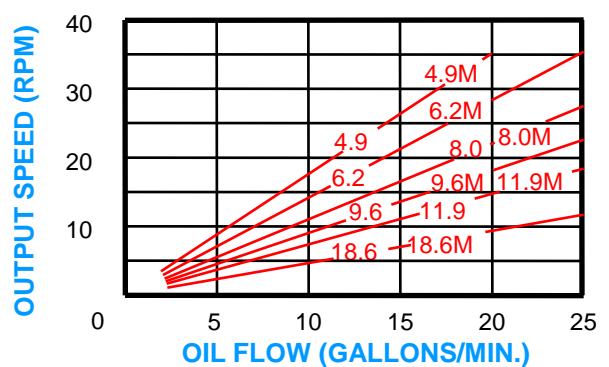
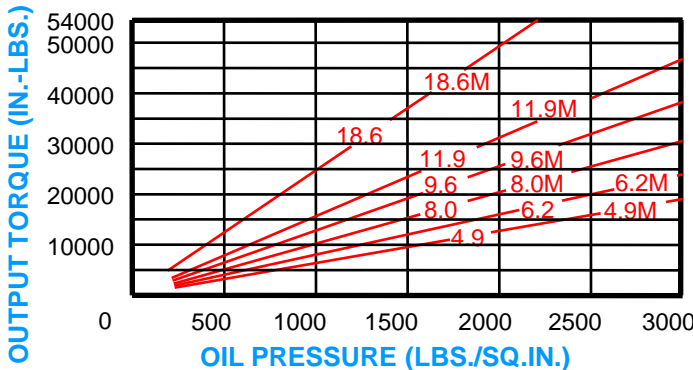
"Quality Since 1910"

Bloom Hydraulic Speed Reducer Model Selection from Performance Data

12.5:1 RATIO



25:1 RATIO



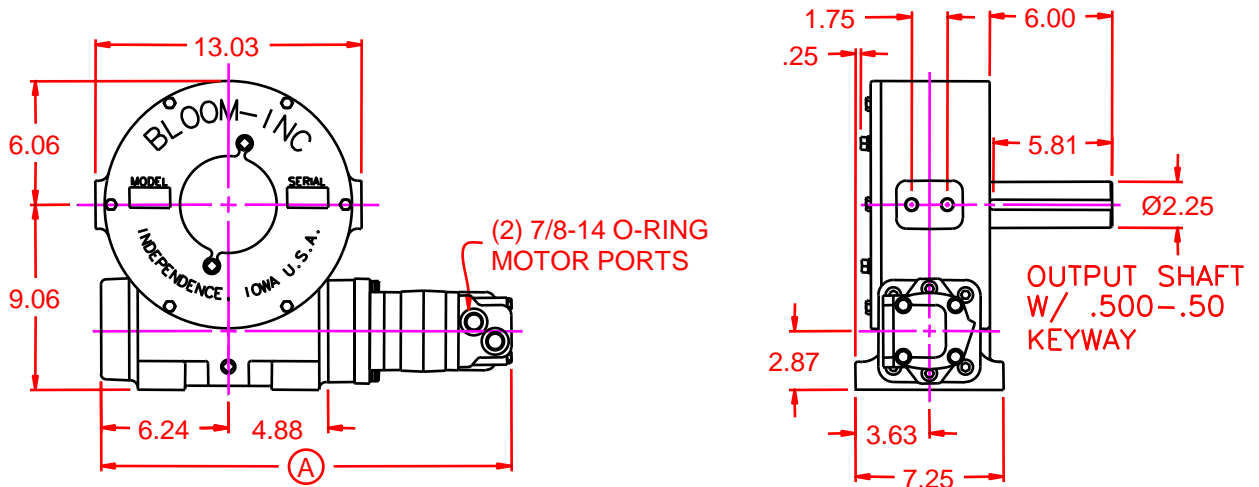
BLOOM™ WINCH



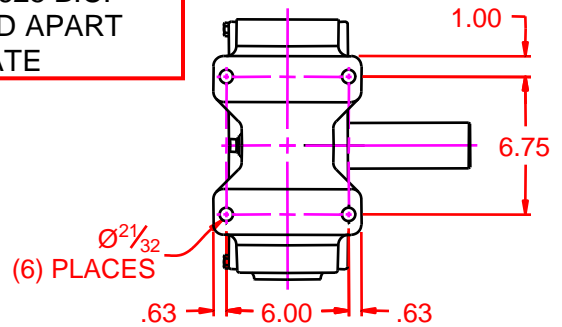
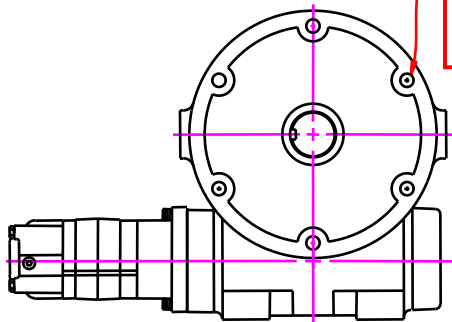
Dimensional Drawings

Series 1400 Galv Speed Reducer

"Quality Since 1910"



OPTIONAL
 Ø.75-10UNC x 1.00 DP.
 (6) HOLES ON 10.625 B.C.
 EQUALLY SPACED APART
 FACED BACK PLATE



MOTOR DESIGNATION	4.9	6.2	8.0	9.6	11.9	18.6
(A) DIMENSION	19.68	19.86	20.11	20.11	20.38	21.18

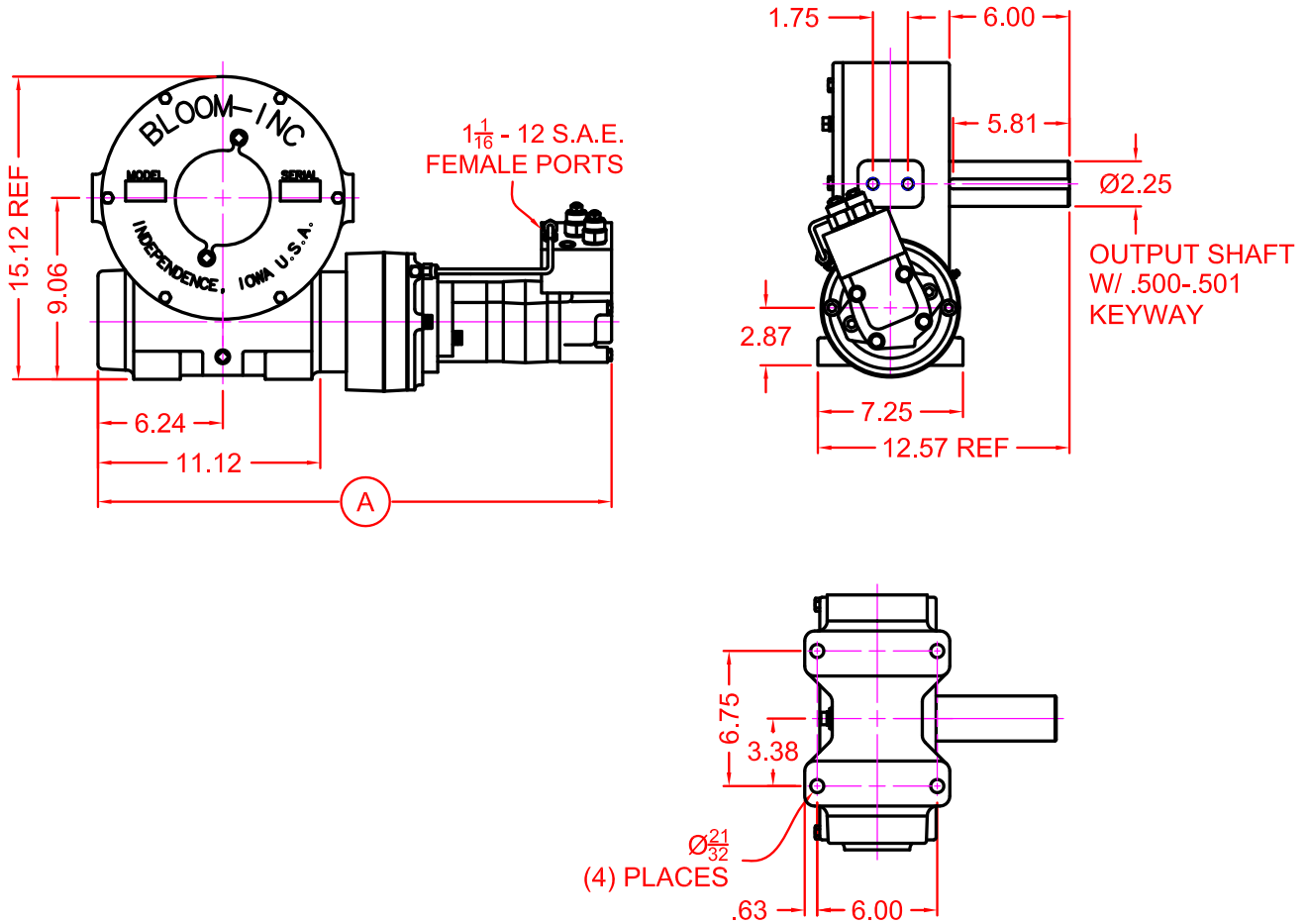
BLOOM™ WINCH



Dimensional Drawings

Series 1400K Galv Speed Reducer
With Hydraulic Fail-safe Brake

"Quality Since
1910"



MOTOR DESIGNATION	4.9M	6.2M	8.0M	9.6M	11.9M	18.6M
(A) DIMENSION	19.24	24.42	24.67	24.67	24.94	25.74

BLOOM™ WINCH

Correct choice of Directional Control Valves for Bloom Winches

Tandem Center Spool Valve – Work Ports are **blocked** in neutral position
Use on all winches that use motor only to hold load.

Motor Spool Valve – Work Ports are **open** to tank in neutral position.
Use on all winches that use Counter Balance Valves to hold load.

*Winches require ridged mounting plate.
See owner's manual for information about proper mounting plate thickness or call Bloom Sales Engineer at factory

WARNING!

Goods are not intended for use in the moving or lifting of persons!

The winches described herein are neither designed nor intended for use or application to equipment used in the lifting or moving of persons and it is understood that all such use shall be at the sole risk of the user.

The cable clamps on winches are not designed to hold rated loads. A minimum of 5 wraps of cable must be left on drum barrel to guarantee holding of rated load.

Applications of winch where life would be endangered by any event are not recommended.



BLOOM Manufacturing Inc. **Winch Division**

1443 220th Street,, Independence, Iowa 50644

FAX 319-827-1140 PHONE 319-827-1139

www.bloommfg.com

©Copyright 2015 Bloom Mfg. Inc.