

BLOOM™ WINCH

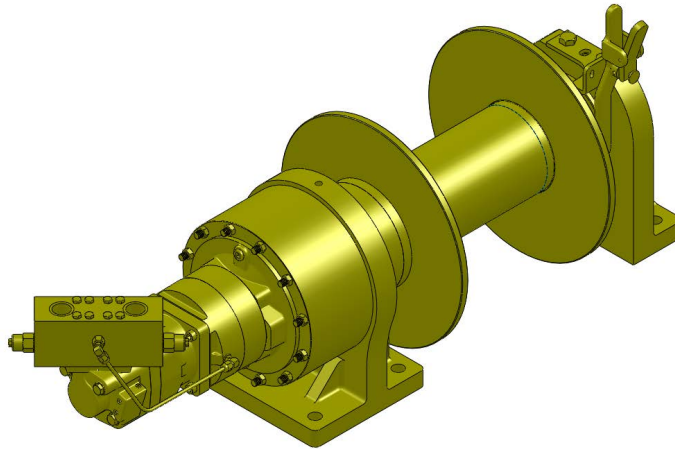


“Quality Since
1910”

Series 3000KC

HYDRAULIC PLANETARY CABLE WINCHES

Series 3000KC hydraulic winches are designed for a wide range of applications. Series 3000KC clutch drive winches are equipped with a sliding clutch to allow free-spooling of the drum for pulling and dragging applications including factory material handling, mining and logging equipment, flat bed trailers, air freight pullers and off the road tractors. Series 3000KC is equipped with hydraulic Fail-Safe Brake.



UP TO 25,000 POUNDS
CAPACITY

Bloom™ Hydraulic Cable Winches – Standard Features

- BRAKE** - **DUET-SAFE® Double Action Braking System** combines a powerful spring applied, hydraulic released brake with a double counter balance brake valve to automatically hold loads when hydraulic pressure is released and control speed during lowering operations. Winch is ideal for high speed pulling applications or wherever load holding is critical.
- GEAR CASE** - Made of high strength steel. Completely sealed for oil enclosed operation and to keep dirt out.
- PLANETARY GEAR** - High Efficiency Double Reduction - Rugged - Built to Last.
- GEAR RATIO** - 17:1 standard.
- BEARINGS** - Drum Shaft is supported by three heavy duty oil lubricated ball bearings in gear case and end housing.
- DRUM SHAFT** - 4” diameter heat-treated alloy steel
- CABLE DRUM** - Tough all steel construction resists breakage or warping.
- CLUTCH** - Series 3000KC winches comes equipped with heat-treated dog type clutch to provide free-spooling of the winch drum. Positive lock-in and lock-out.



www.bloommfg.com

BLOOM
Manufacturing Inc.
Winch Division

“Custom Engineered Solutions”

Lifting
Pulling
Hoisting

Toll Free Number: 1-800-394-1139

1443 220th Street,, Independence, Iowa 50644 • FAX: 319-827-1140 • PHONE: 319-827-1139

BLOOM™ WINCH

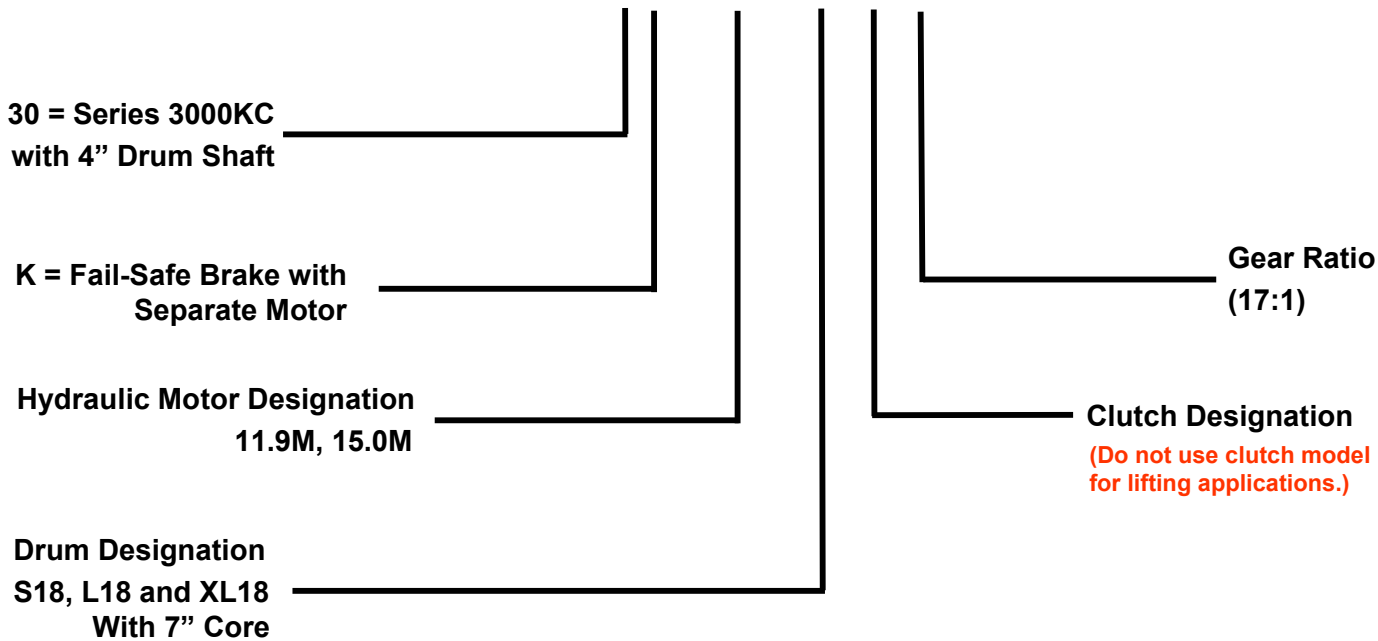


"Quality Since 1910"

Series 3000KC

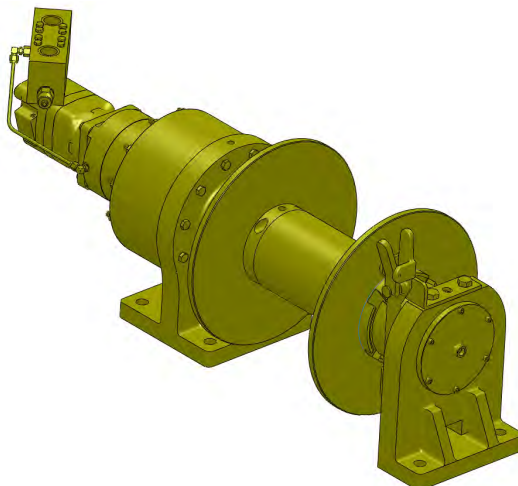
Model Selection from Performance Data

MODEL EXAMPLE: **30K-15.0M-L18-C-17**



DRUM CAPACITY

CABLE SIZE (INCH)	CABLE CAPACITY (FT.)		
	S18C DRUM	L18C DRUM	XL18C DRUM
Ø3/4"	170	300	430
Ø7/8"	120	215	305



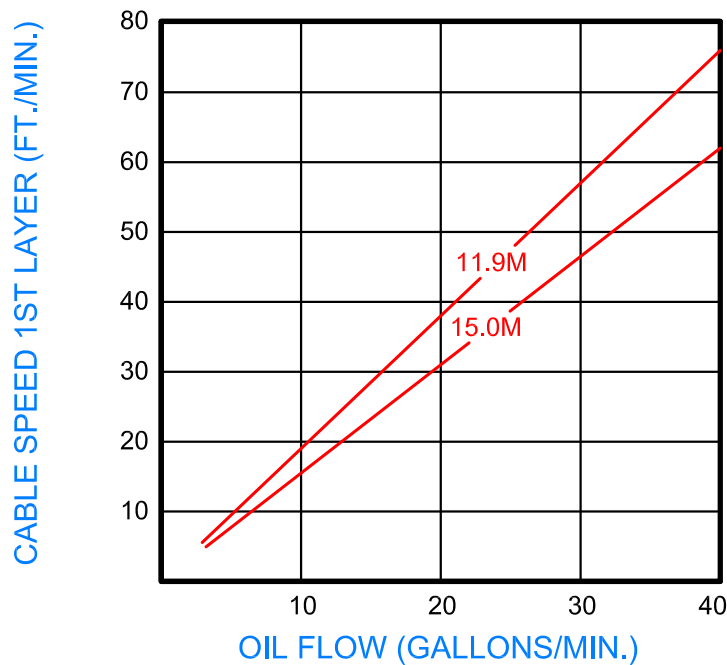
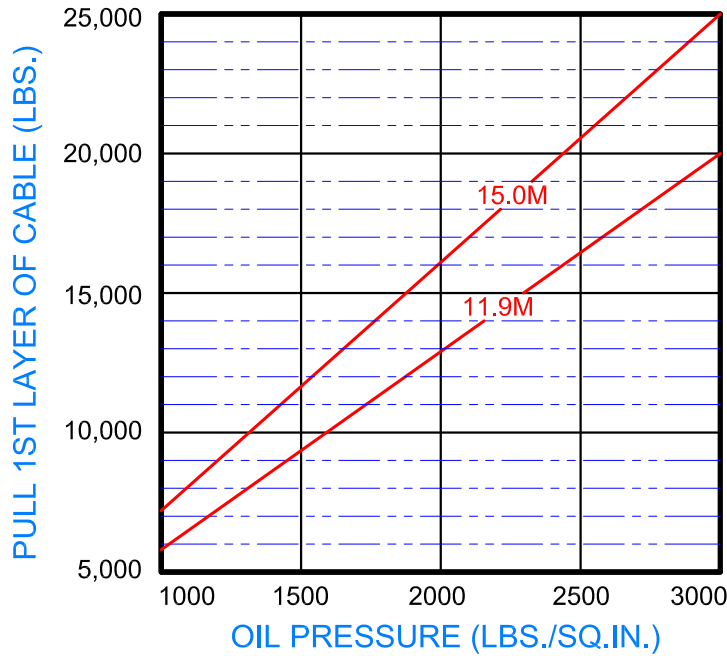
BLOOM™ WINCH



Series 3000KC W/ 7" Core
Model Selection from Performance Data

"Quality Since
1910"

17:1 RATIO



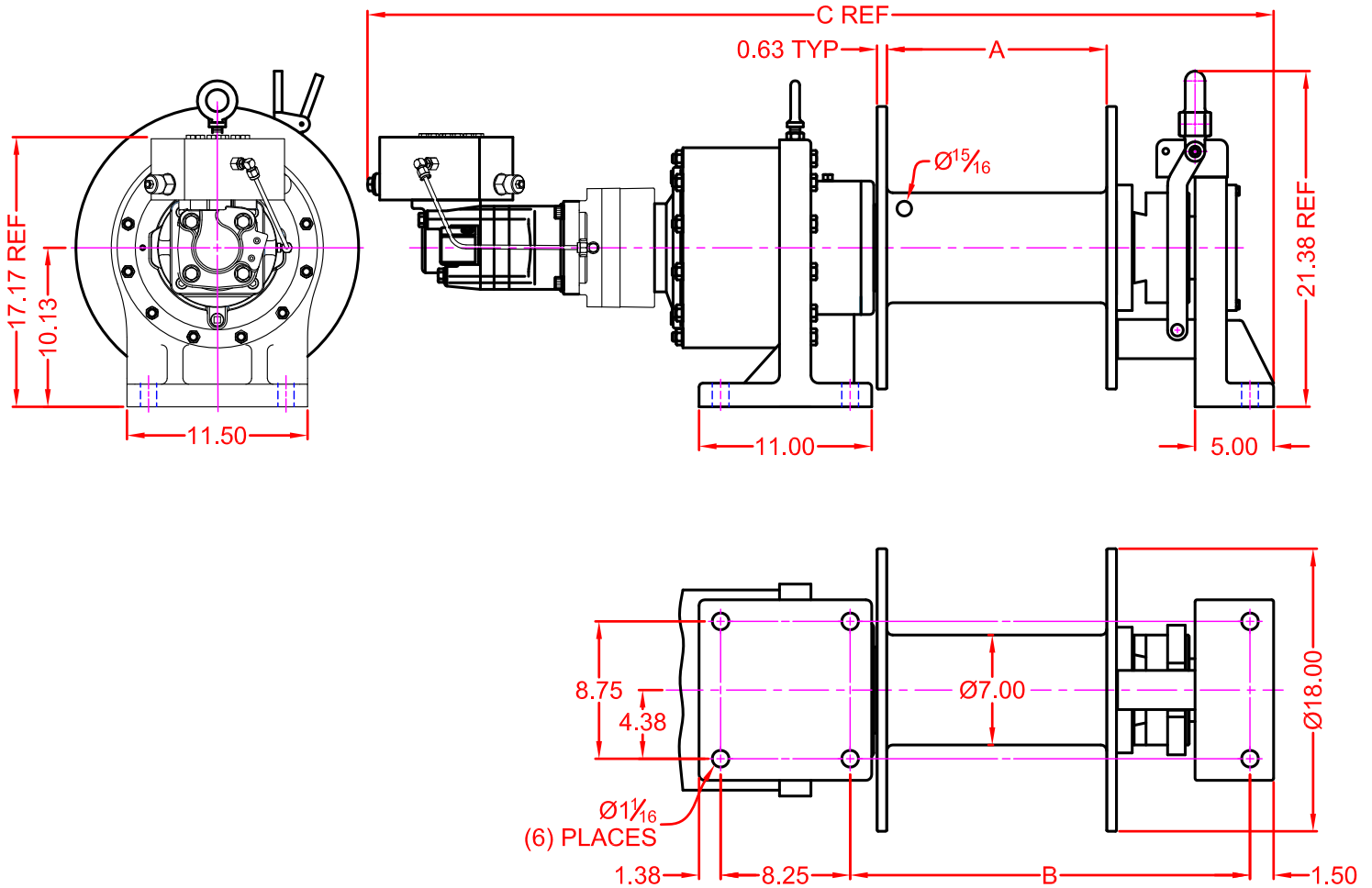


"Quality Since 1910"

BLOOM™ WINCH

Dimensional Drawings

Series ' \$\$\$?7 K JH `G°8, L18`UbX`X@8`8fi a
Base Mount Model - 7`i HW Drive



WINCH DIMENSION	DRUM DESIGNATION		
	S18C	L18C	XL18C
A DIMENSION	8	14	20
B DIMENSION	19.46±0.06	25.46±0.06	31.46±0.06
C DIMENSION	51.69	57.69	63.69

CABLE SIZE (INCH)	CABLE CAPACITY (FT.)		
	S18C DRUM	L18C DRUM	XL18C DRUM
Ø3/4"	170	300	430
Ø7/8"	120	215	305

BLOOM™ WINCH

300KC SERIES MODEL SELECTION

11.9M MOTOR

30K-11.9M-S18C-17

30K-11.9M-L18C-17

30K-11.9M-XL18C-17

15.0M MOTOR

30K-15.0M-S18C-17

30K-15.0M-L18C-17

30K-15.0M-XL18C-17

BLOOM™ WINCH

Correct choice of Directional Control Valves for Bloom Winches

Winches require a **Motor Spool Control Valve**.
That is the valve's work ports are **open** to tank in neutral position.

*Winches require ridged mounting plate.
See owner's manual for information about proper mounting
plate thickness or call Bloom Sales Engineer at factory

WARNING!

Goods are not intended for use in the moving or lifting of persons!

The winches described herein are neither designed nor intended for use or application to equipment used in the lifting or moving of persons and it is understood that all such use shall be at the sole risk of the user.

The cable clamps on winches are not designed to hold rated loads. A minimum of 5 wraps of cable must be left on drum barrel to guarantee holding of rated load.

Applications of winch where life would be endangered by any event are not recommended.



BLOOM Manufacturing Inc. **Winch Division**

1443 220th Street,, Independence, Iowa 50644

FAX 319-827-1140 PHONE 319-827-1139

www.bloommfg.com

©Copyright 2015 Bloom Mfg. Inc.