

BLOOM™ WINCH



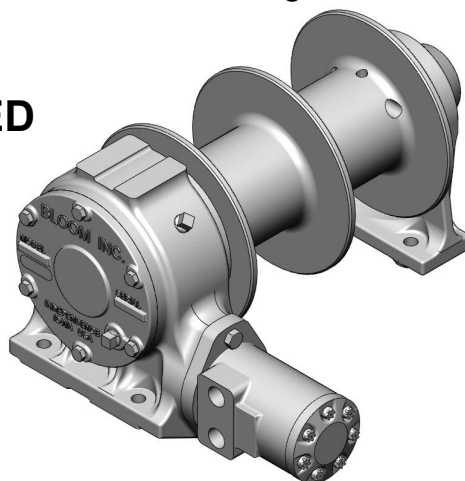
"Quality Since
1910"

Series 1000 Vanging Galv

HYDRAULIC CABLE WINCHES

The rugged construction and versatility of **Series 1000 Vanging Galv** makes it adaptable to a wide range of applications. **Series 1000 Vanging Galv** direct drive winches are used for pulling and dragging applications on fishing boats and marine craft.

GALVANIZED



**UP TO 12,000 POUNDS
CAPACITY**

Bloom™ Hydraulic Cable Winches – Standard Features

- | | |
|-------------------|---|
| GEAR CASE | - Made of high strength cast iron. Completely sealed for oil enclosed operation and to keep dirt out. |
| WORM SHAFT | - One piece alloy steel hardened and ground for extra durability. Compact design allows hydraulic motor to be coupled directly to worm. |
| WORM GEAR | - High tensile aluminum-nickel alloy bronze. Optimum lead and pressure angles transmit maximum power to the drum. |
| GEAR RATIO | - 20:1 standard, 10:1, 27:1, 40:1 optional ratios provide optimum efficiency in power and speed. |
| BEARINGS | - Worm gear and worm shaft run on tapered roller bearings. Outer end housing has sealed ball bearing. |
| DRUM SHAFT | - 1-1/2" diameter heat -treated alloy steel minimum tensile strength 150,000 psi. |
| CABLE DRUM | - Tough all steel construction resists breakage or warping. |

CAUTION:

This winch model does not include any kind of holding brake. If your application requires a holding brake choose **Lift-Safe® winch** series LS10H Vanging winches with automatic hydraulic safety brakes.



www.bloommfg.com

BLOOM

Manufacturing Inc.

Winch Division

"Custom Engineered Solutions"

**Lifting
Pulling
Hoisting**

Toll Free Number: 1-800-394-1139

1443 220th Street,, Independence, Iowa 50644 • FAX: 319-827-1140 • PHONE: 319-827-1139

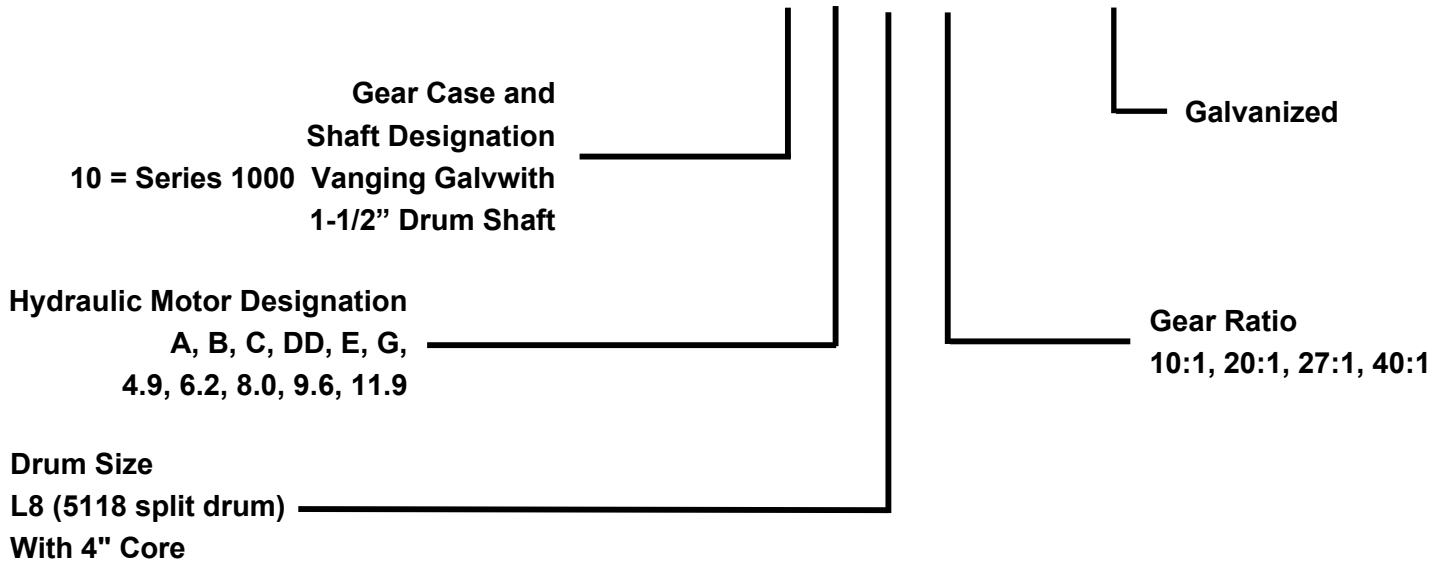
BLOOM™ WINCH



Series 1000 Vanging Galv Model Selection from Performance Data

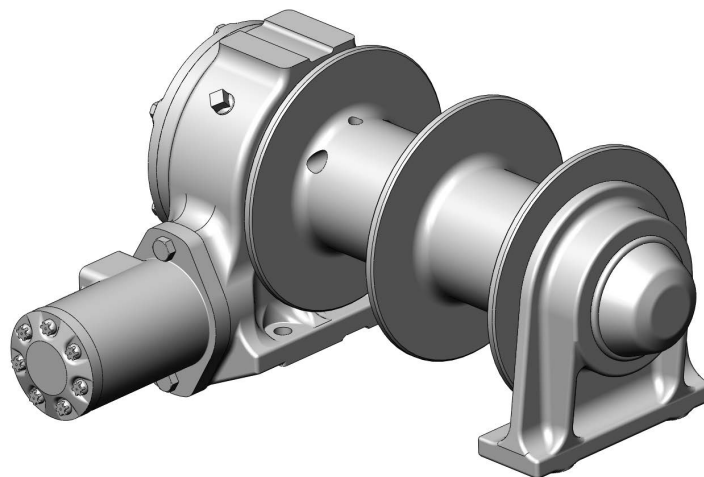
"Quality Since
1910"

MODEL EXAMPLE: 10-E-L8-20-5118-GALV



DRUM CAPACITY PER SIDE OF SPLIT DRUM

CABLE DIAMETER (IN.)	1/4	5/16	3/8	7/16	1/2
DRUM "L8" (5118) CAPACITY (FT.)	190	120	80	55	40

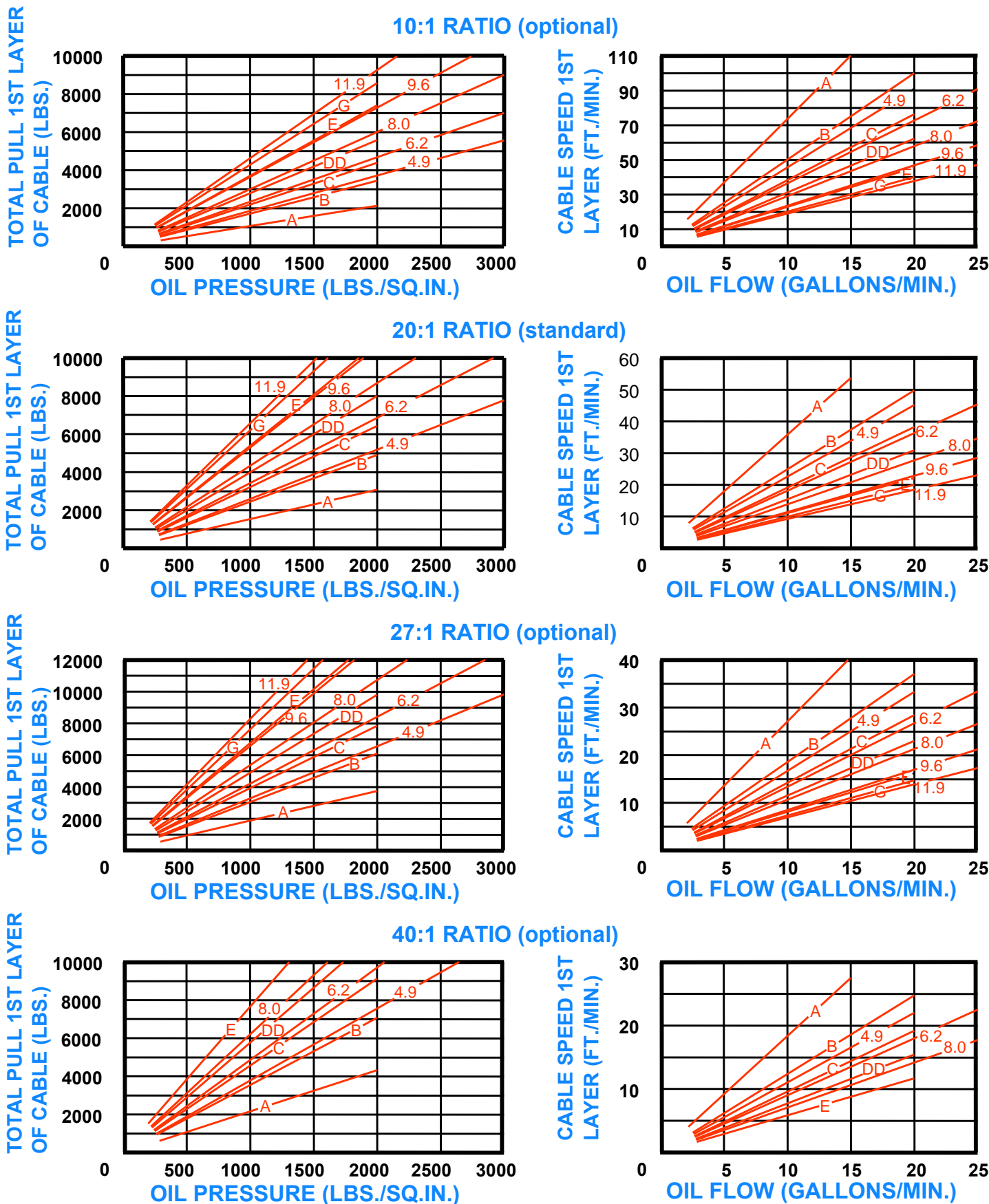


BLOOM™ WINCH



Series 1000 Vanging Galv Model Selection from Performance Data

"Quality Since
1910"



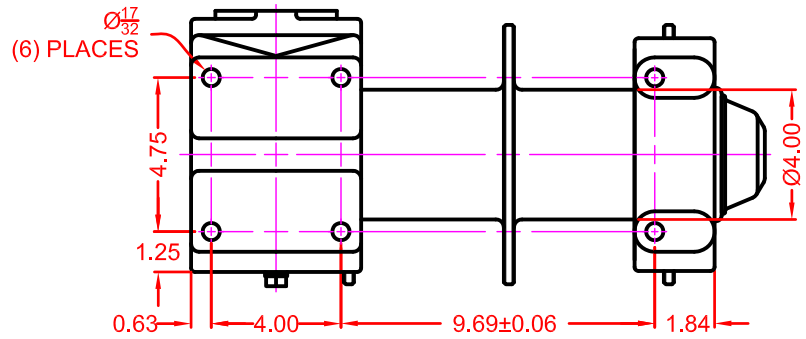
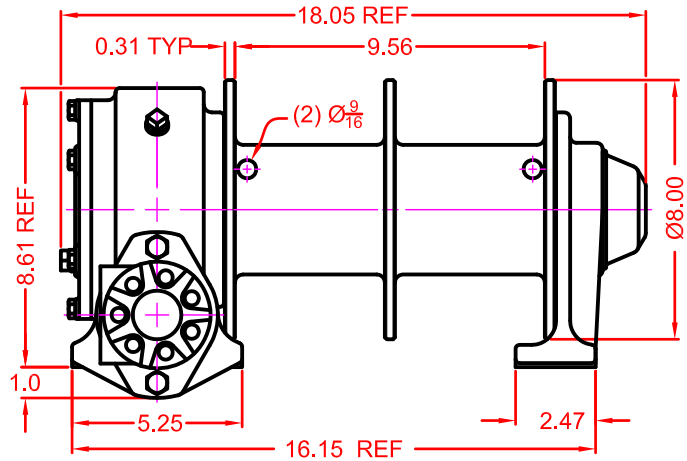
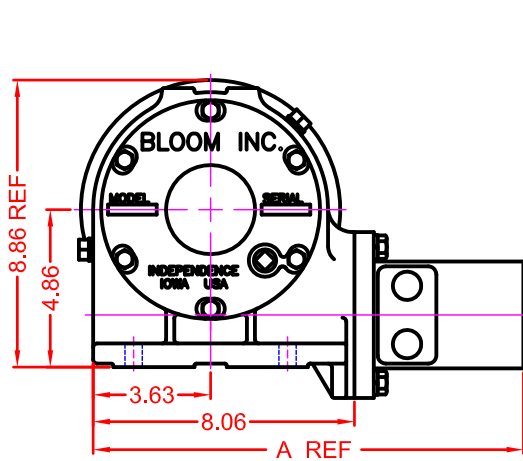


“Quality Since
1910”

BLOOM™ WINCH

Dimensional Drawings

Series 1000 Vanging
With L8 (5118) Split Drum
Base Mount Model - Direct Drive



MOTOR DESIGNATION	A	B	C	DD	E	G	4.9	6.2	8.0	9.6	11.9
A DIMENSION	13.28	13.43	13.55	13.68	13.90	14.03	15.32	15.50	15.75	15.75	16.02

BLOOM™ WINCH

Correct choice of Directional Control Valves for Bloom Winches

Tandem Center Spool Valve – Work Ports are **blocked** in neutral position

Use on all winches that use motor only to hold load.

*Winches require ridged mounting plate.
See owner's manual for information about proper mounting plate thickness or call Bloom Sales Engineer at factory

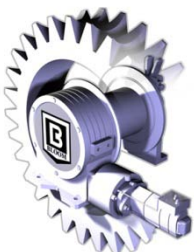
WARNING!

Goods are not intended for use in the moving or lifting of persons!

The winches described herein are neither designed nor intended for use or application to equipment used in the lifting or moving of persons and it is understood that all such use shall be at the sole risk of the user.

The cable clamps on winches are not designed to hold rated loads. A minimum of 5 wraps of cable must be left on drum barrel to guarantee holding of rated load.

Applications of winch where life would be endangered by any event are not recommended.



BLOOM Manufacturing Inc. **Winch Division**

1443 220th Street,, Independence, Iowa 50644

FAX 319-827-1140 PHONE 319-827-1139