

# BLOOM™ WINCH



## Series 1200 Galv

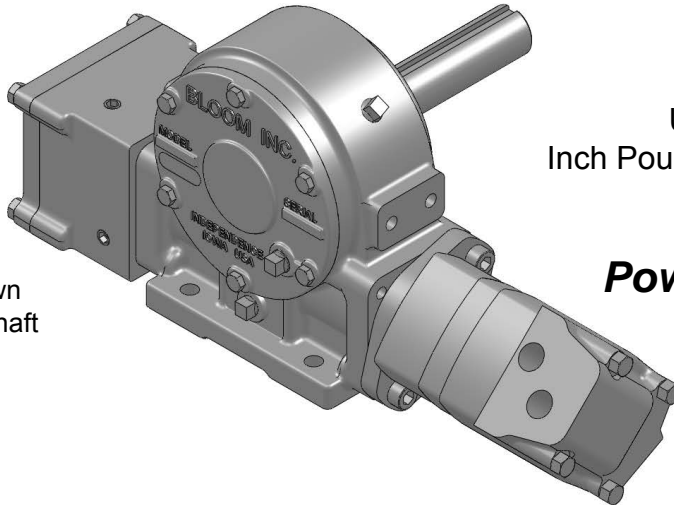
“Quality Since

### *Hydraulic Speed Reducer*

The rugged construction and versatility of the **Series 1200 Galv Speed Reducer** is ideal for stationary & mobile applications where slow speed, high torque, or variable speed and reversing are needed. Applications include paving and curb forming, ditching, irrigation and plastic and extruding equipment. Available with a oil cooled adjustable automatic safety brake.

**GALVANIZED**

Series 1200 Galv shown  
with right hand output shaft



Up To 24,000  
Inch Pounds of Output Torque

**Powerful – Compact  
Efficient**

## Bloom™ Hydraulic Speed Reducers – Standard Features

- |                     |  |
|---------------------|--|
| <b>GEAR CASE</b>    | - Made of high strength cast iron. Completely sealed for oil enclosed operation and to keep dirt out.                |
| <b>WORM SHAFT</b>   | - One piece alloy steel hardened and ground to insure long service. The hydraulic motor couples direct to the shaft. |
| <b>WORM GEAR</b>    | - High tensile aluminum-nickel alloy bronze . Optimum lead and pressure angles transmit maximum power to the drum.   |
| <b>GEAR RATIO</b>   | - 20:1 standard, optional 27:1 and 40:1 ratios provide optimum efficiency in power and speed.                        |
| <b>BEARINGS</b>     | - Worm gear and worm shaft run on tapered roller bearings in an oil enclosed gear case                               |
| <b>OUTPUT SHAFT</b> | - 1-1/2" diameter heat -treated alloy steel minimum tensile strength 150,000 psi.                                    |
| <b>MOTOR MOUNT</b>  | - SAE (A) 2 bolt flange mount-standard.  |
| <b>BRAKE OPTION</b> | - Single direction oil cooled adjustable automatic safety brake.   |



# BLOOM

Manufacturing Inc.

Winch Division

**Lifting  
Pulling  
Hoisting**

Toll Free Number: 1-800-394-1139

www.bloommfg.com

**“Custom Engineered Solutions”**

1443 220<sup>th</sup> Street,, Independence, Iowa 50644 • FAX: 319-827-1140 • PHONE: 319-827-1139

# BLOOM™ WINCH



Series 1200 Galv

Model Selection from Performance Data

"Quality Since  
1910"

## MODEL EXAMPLE: 12-B-E-SR-RH-20-LP-GALV

Gear Case and  
Shaft Designation

12 = Series 1200 Galv with 1-1/2" Output Shaft only

Oil Cooled  
Automatic  
Safety Brake

Hydraulic Motor Designation

A, B, C, DD, E, G, 4.9, 6.2, 8.0, 9.6, 11.9

N - No Motor

IS - Input Shaft

Speed Reducer

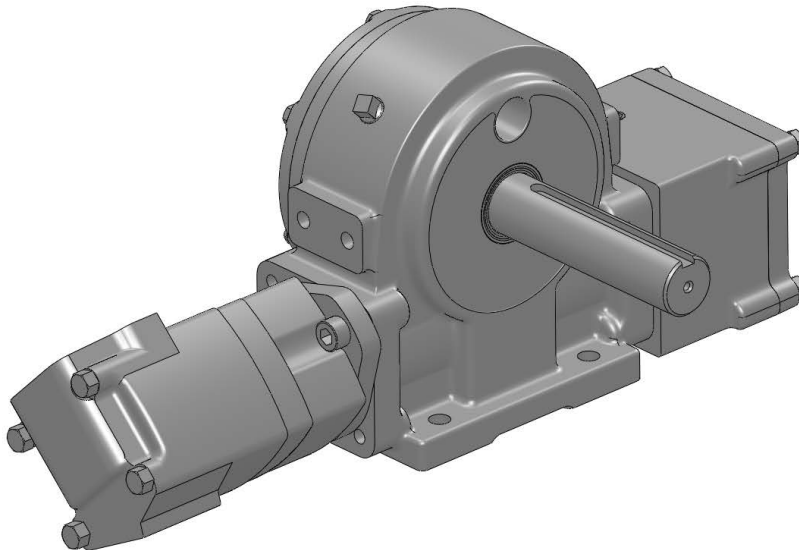
Shaft Position  
RH - Right Hand  
LH - Left Hand

Galvanized

Optional  
Low Profile Mounting

Gear Ratios  
20:1, 27:1, 40:1

**10:1 Not Available**



# BLOOM™ WINCH

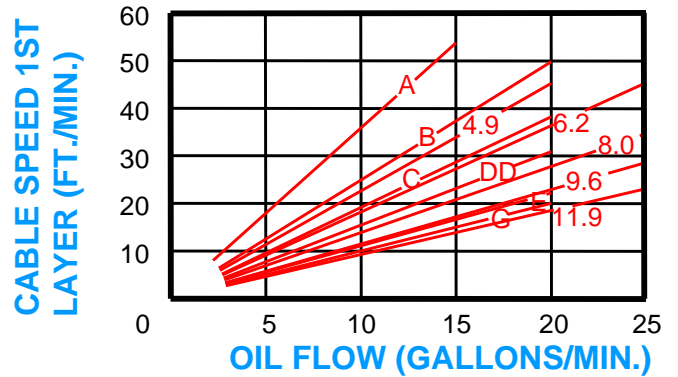
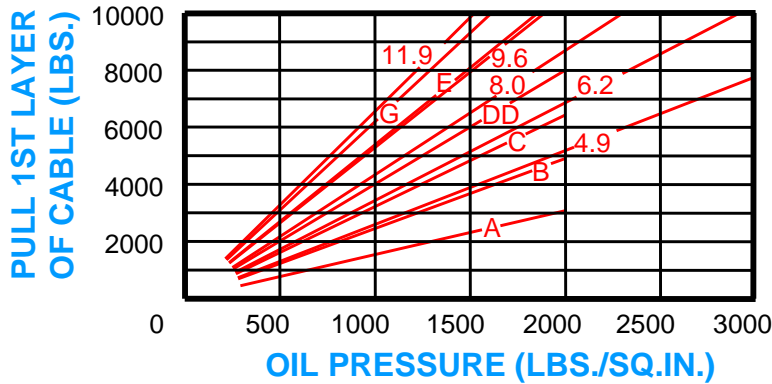


"Quality Since 1910"

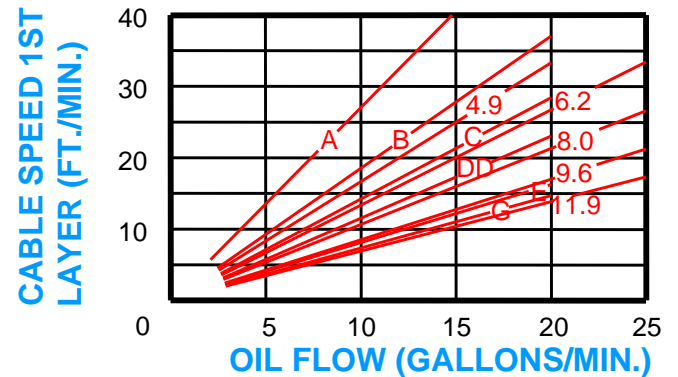
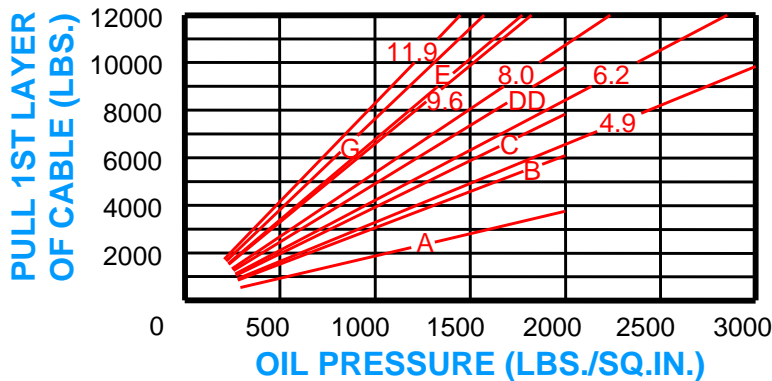
## Series 1200 Galv

Bloom Hydraulic Speed Reducers With Hydraulic Safety  
Brake Model Selection from Performance Data

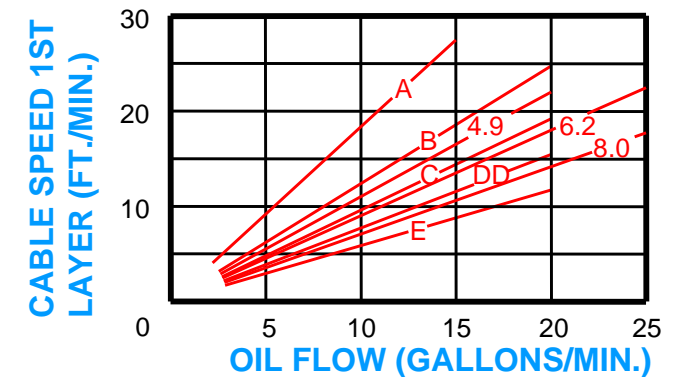
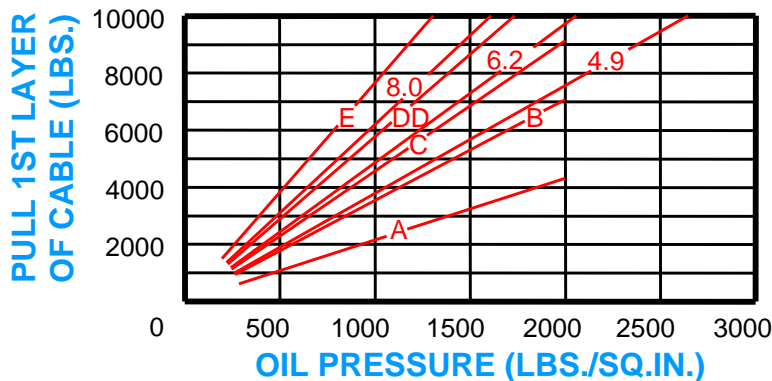
20:1 RATIO (standard)



27:1 RATIO (optional)



40:1 RATIO (optional)



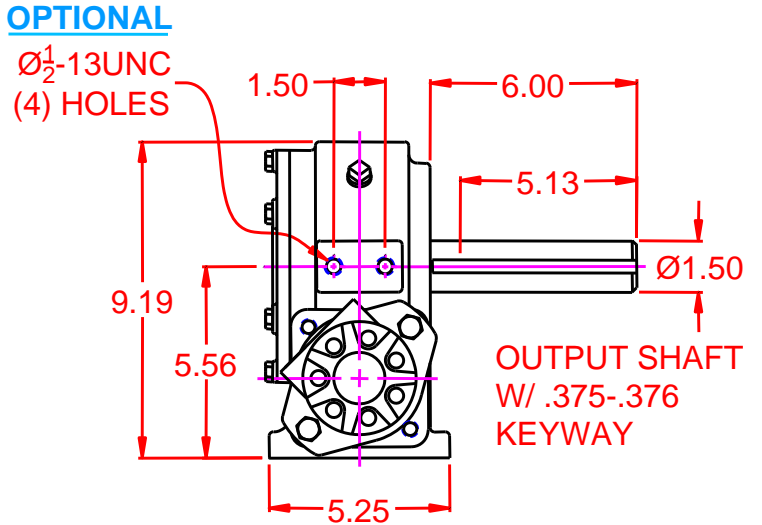
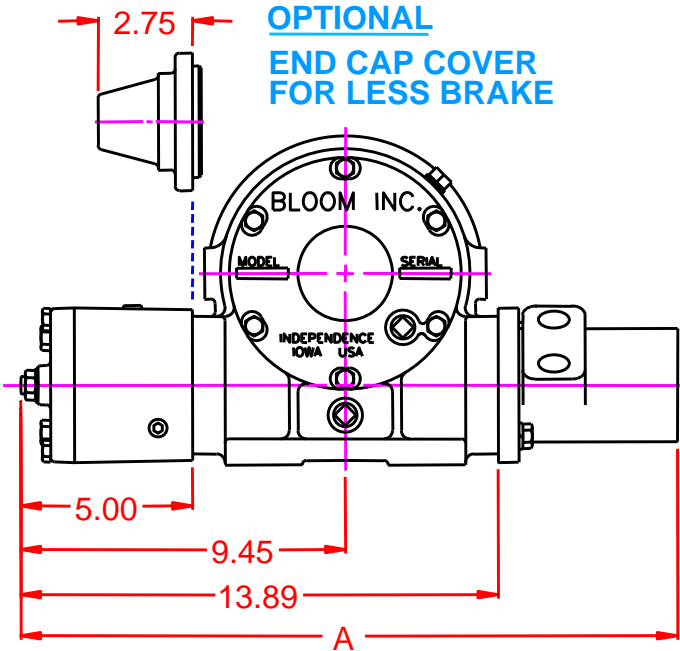
# BLOOM™ WINCH



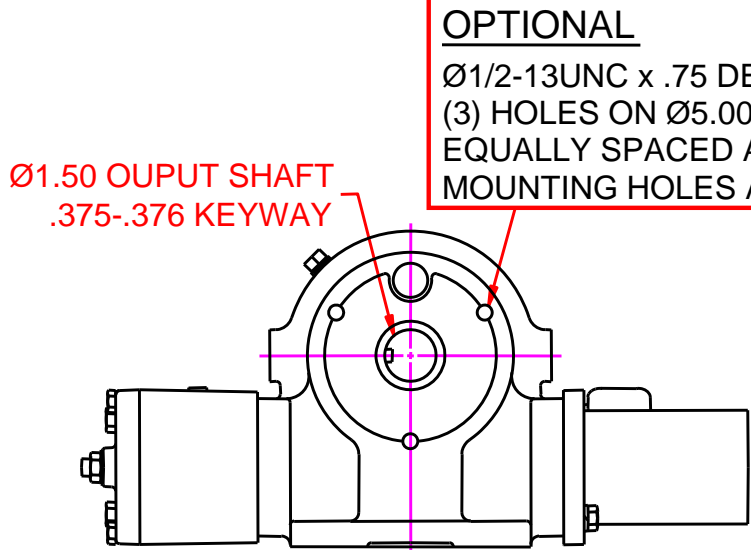
## Dimensional Drawings

Series 1200 Galv Speed Reducer

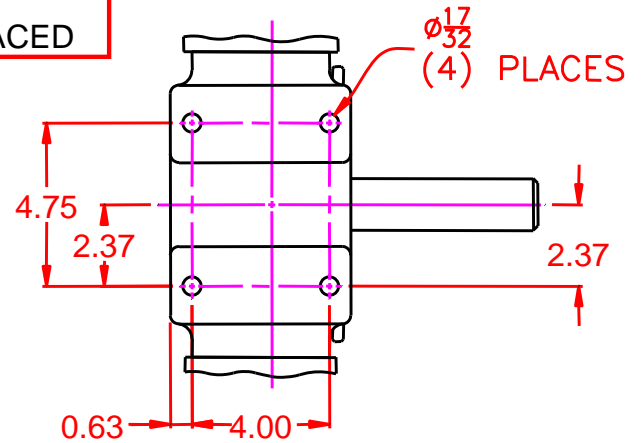
"Quality Since 1910"



**STANDARD  
RIGHT HAND**



**LEFT HAND SHOWN**



MOTOR DESIGNATION	A	B	C	DD	E	G	4.9	6.2	8.0	9.6	11.9
Ⓐ DIMENSION	19.11	19.26	19.38	19.51	19.73	19.86	21.15	21.33	21.58	21.58	21.85

# **BLOOM™ WINCH**

## Correct choice of Directional Control Valves for Bloom Winches

**Tandem Center Spool Valve** – Work Ports are **blocked** in neutral position

Use on all winches that use motor only to hold load.

\*Winches require ridged mounting plate.  
See owner's manual for information about proper mounting plate thickness or call Bloom Sales Engineer at factory

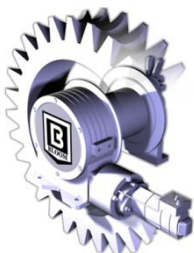
### **WARNING!**

Goods are not intended for use in the moving or lifting of persons!

The winches described herein are neither designed nor intended for use or application to equipment used in the lifting or moving of persons and it is understood that all such use shall be at the sole risk of the user.

The cable clamps on winches are not designed to hold rated loads. A minimum of 5 wraps of cable must be left on drum barrel to guarantee holding of rated load.

Applications of winch where life would be endangered by any event are not recommended.



## **BLOOM Manufacturing Inc.** **Winch Division**

1443 220<sup>th</sup> Street,, Independence, Iowa 50644

FAX 319-827-1140 PHONE 319-827-1139