

BLOOM™ WINCH

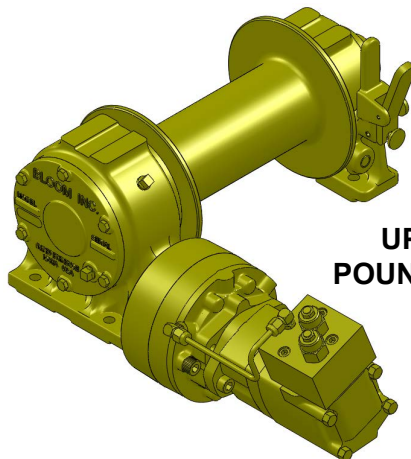


"Quality Since
1910"

Series 1000KC

HYDRAULIC CABLE WINCHES

The rugged construction and versatility of **Series 1000KC** makes it adaptable to a wide range of applications. **Series 1000KC** winches are equipped with a sliding clutch to allow free-spooling of the drum for industrial pulling and dragging applications including rear of cab and front mounting on ½ to 1½ ton trucks, flat bed trailers, factory material handling, mining and logging operations, air freight pullers, off the road tractors, aboard ships and boats. **Series 1000KC** is equipped with hydraulic fail-safe brake, and may be ordered galvanized.



UP TO 12,000
POUNDS CAPACITY

Bloom™ Hydraulic Cable Winches – Standard Features

- | | |
|-------------------|--|
| BRAKE | - DUET-SAFE® Double Action Braking System combines a powerful spring applied, hydraulic released brake with a double counter balance brake valve to automatically hold loads when hydraulic pressure is released and control speed during lowering operations. Winch is ideal for high speed pulling applications or wherever load holding is critical. |
| GEAR CASE | - Made of high strength cast iron. Completely sealed for oil enclosed operation and to keep dirt out. |
| WORM SHAFT | - One piece alloy steel hardened and ground for extra durability. Compact design allows hydraulic motor to be coupled directly to worm. |
| WORM GEAR | - High tensile aluminum-nickel alloy bronze. Optimum lead and pressure angles transmit maximum power to the drum. |
| GEAR RATIO | - 20:1 standard, 10:1, 27:1, 40:1 optional ratios provide optimum efficiency in power and speed. |
| BEARINGS | - Worm gear and worm shaft run on tapered roller bearings. Outer end housing has sealed ball bearing. |
| DRUM SHAFT | - 1-1/2" diameter heat -treated alloy steel minimum tensile strength 150,000 psi. |
| CABLE DRUM | - Tough all steel construction resists breakage or warping. |
| CLUTCH | - Series 1000KC winch comes equipped with heat-treated dog type clutch to provide free-spooling of the winch drum. Positive lock-in and lock-out. |



www.bloommfg.com

BLOOM

Manufacturing Inc.

Winch Division

"Custom Engineered Solutions"

Lifting
Pulling
Hoisting

Toll Free Number: 1-800-394-1139

1443 220th Street,, Independence, Iowa 50644 • FAX: 319-827-1140 • PHONE: 319-827-1139

BLOOM™ WINCH



"Quality Since 1910"

Series 1000KC

Model Selection from Performance Data

MODEL EXAMPLE: 10K-4.9M-L8-C-10-LP

Gear Case Mounting _____
 10K = Series 1000KC With 1-1/2" Drum Shaft

Low Profile Mounting
 (specify with or without
 mounting angles)

Hydraulic Motor Designation _____
 AM, 4.9M, 6.2M, 8.0M, 9.6M, 11.9M

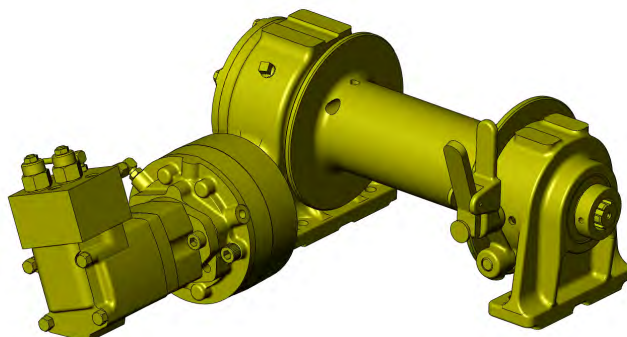
Gear Ratio
 10:1, 20:1, 27:1, 40:1

Drum Sizes _____
 S8, L8, XL10, XL12, XL14

Clutch
 Designation
 (Do not use clutch model for lifting
 Applications.)

DRUM CAPACITY

CABLE DIAMETER (IN.)	1/4	5/16	3/8	7/16	1/2
DRUM "S8" CAPACITY (FT.)	260	160	105	75	55
DRUM "L8" CAPACITY (FT.)	390	240	160	110	80
DRUM "XL10" CAPACITY (FT.)	840	550	340	250	170
DRUM "XL12" CAPACITY (FT.)	1320	840	580	380	280
DRUM "XL14" CAPACITY (FT.)	1900	1180	760	540	410



BLOOM™ WINCH

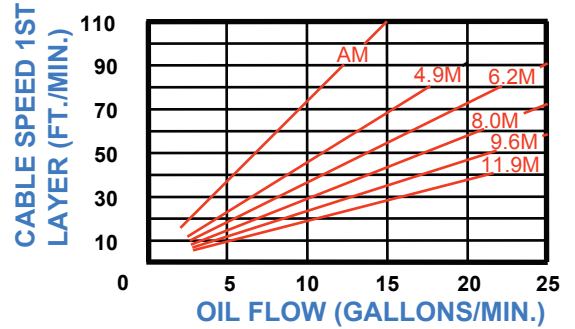
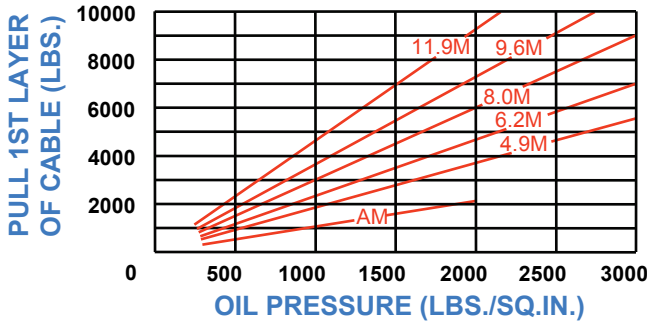


Series 1000KC

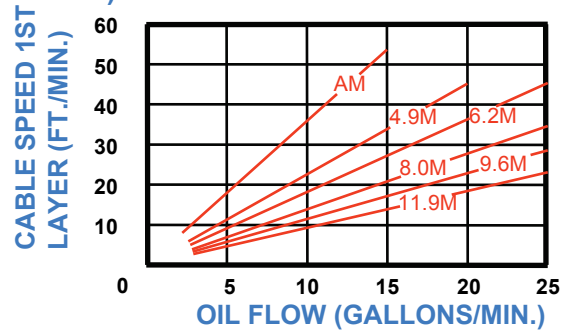
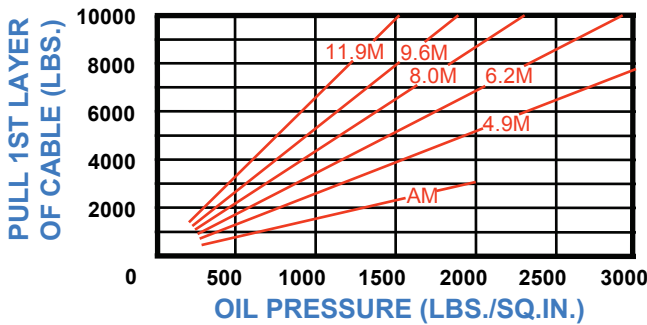
With Hydraulic Safety Brake
Model Selection from Performance Data

"Quality Since
1910"

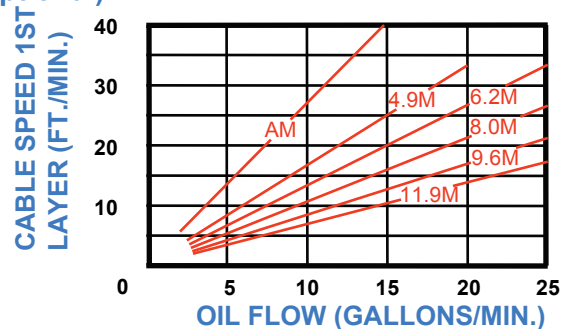
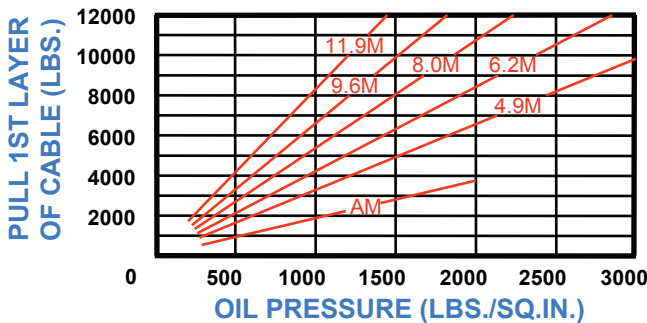
10:1 RATIO (optional)



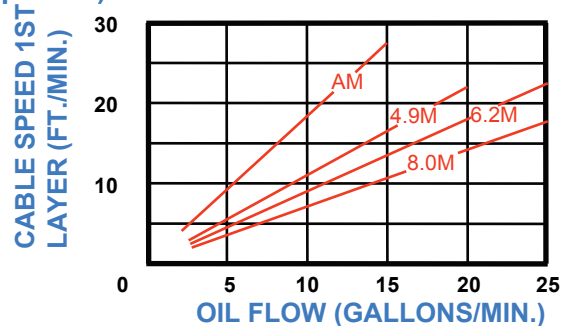
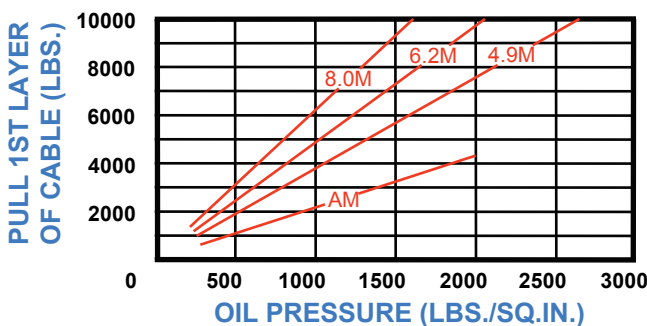
20:1 RATIO (standard)



27:1 RATIO (optional)



40:1 RATIO (optional)



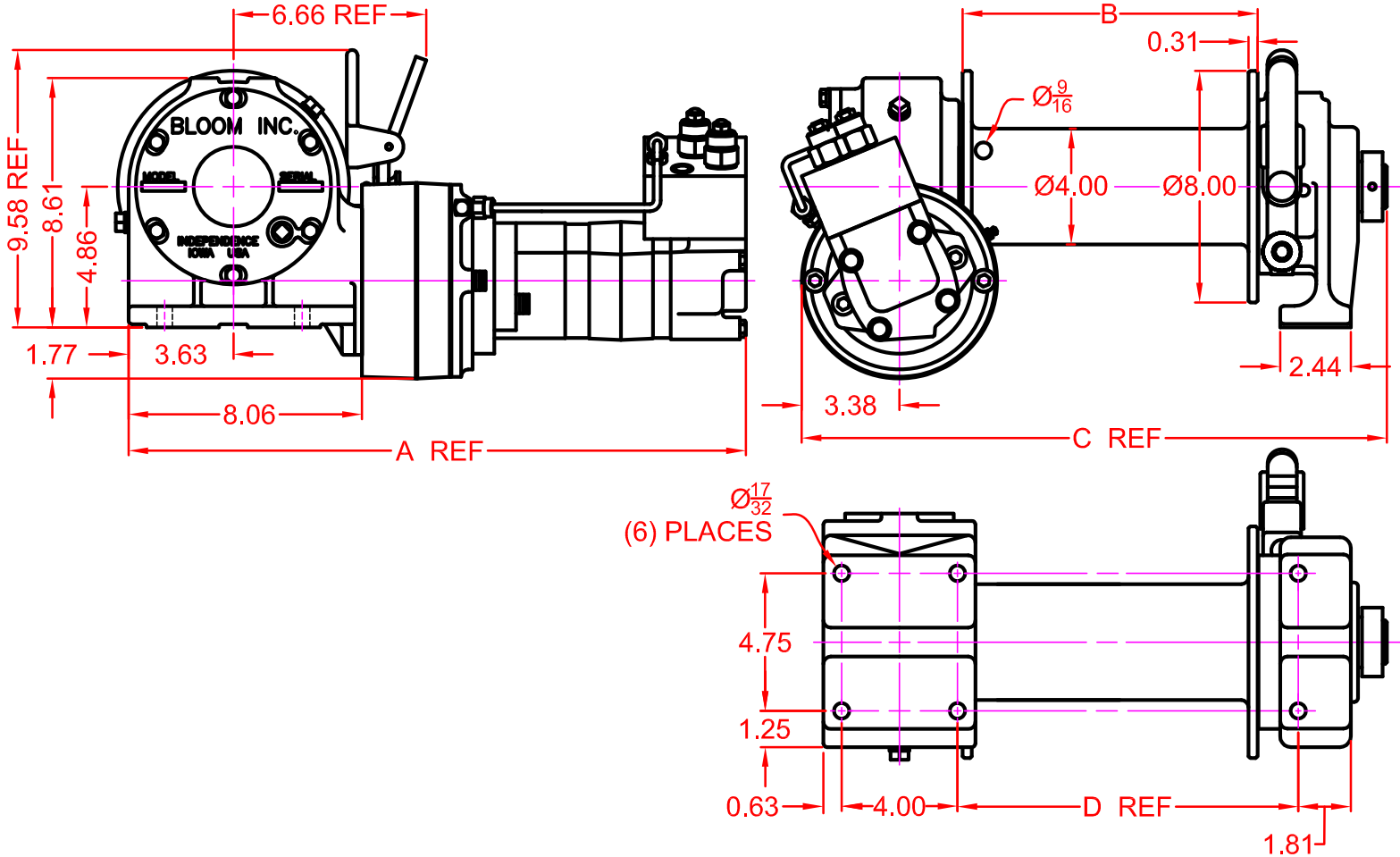


BLOOM™ WINCH

Dimensional Drawings

“Quality Since
1910”

Series 1000KC With S8 and L8 Drum
Base Mount Model - Clutch Drive



MOTOR DESIGNATION	AM	4.9M	6.2M	8.0M	9.6M	11.9M
A DIMENSION	18.10	19.80	20.07	20.32	20.32	20.59

DRUM DESIGNATION	WINCH DIMENSION		
	B	C	D
S8	7.19	17.13	8.62
L8	10.19	20.13	11.62

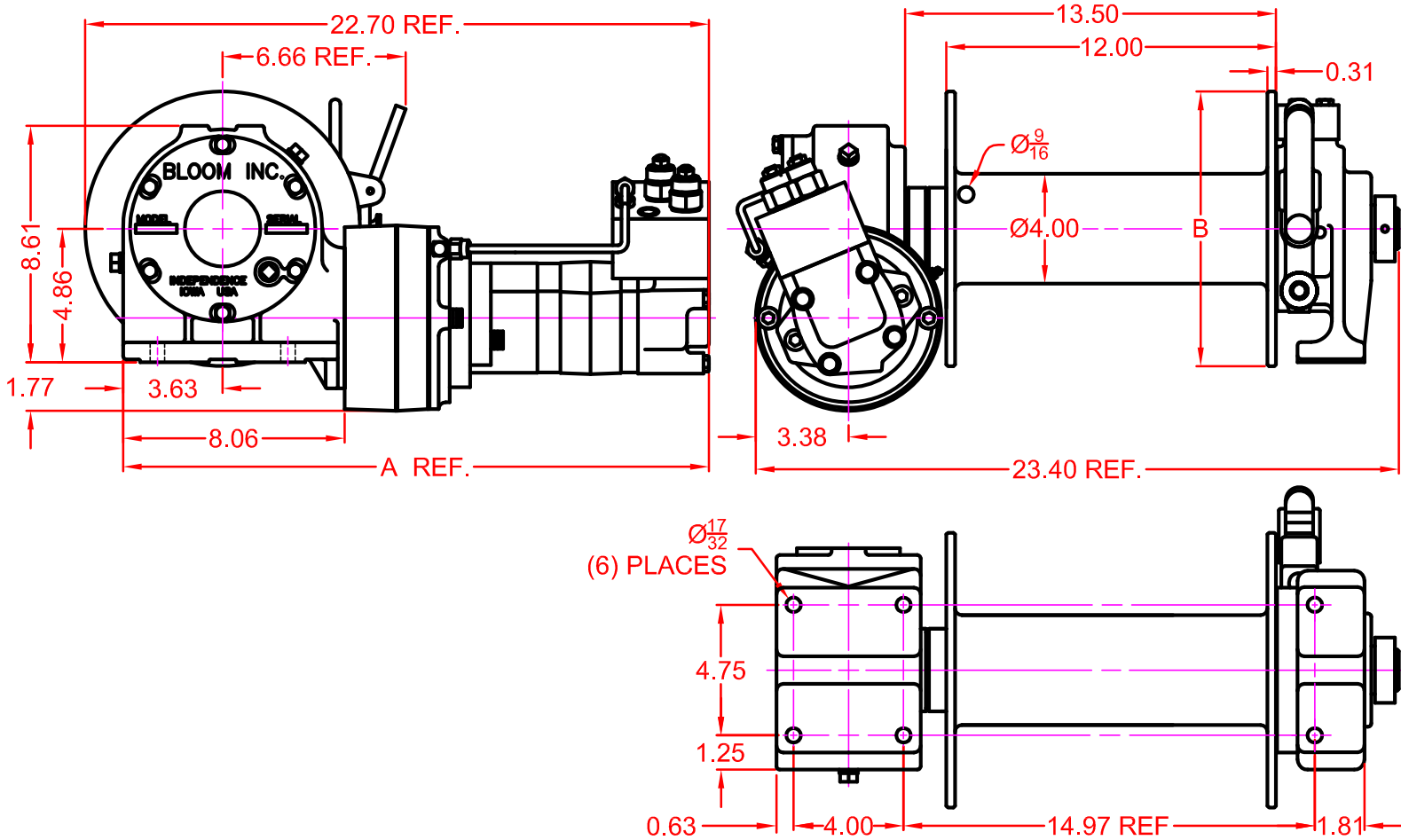


BLOOM™ WINCH

Dimensional Drawings

Series 1000KC With XL10, XL12 and XL14 Drum
Base Mount Model - Clutch Drive

“Quality Since
1910”



MOTOR DESIGNATION	AM	4.9M	6.2M	8.0M	9.6M	11.9M
A DIMENSION	18.10	19.89	20.07	20.32	20.32	20.59

DRUM DESIGNATION	XL10	XL12	XL14
B DIMENSION	10	12	14

BLOOM™ WINCH

1000KC SERIES MODEL SELECTION

AM MOTOR

10K-AM-S8C
10K-AM-L8C
10K-AM-XL10C
10K-AM-XL12C
10K-AM-XL14C

BM MOTOR

10K-BM-S8C
10K-BM-L8C
10K-BM-XL10C
10K-BM-XL12C
10K-BM-XL14C

4.9M MOTOR

10K-4.9M-S8C
10K-4.9M-L8C
10K-4.9M-XL10C
10K-4.9M-XL12C
10K-4.9M-XL14C

6.2M MOTOR

10K-6.2M-S8C
10K-6.2M-L8C
10K-6.2M-XL10C
10K-6.2M-XL12C
10K-6.2M-XL14C

8.0M MOTOR

10K-8.0M-S8C
10K-8.0M-L8C
10K-8.0M-XL10C
10K-8.0M-XL12C
10K-8.0M-XL14C

9.6M MOTOR

10K-9.6M-S8C
10K-9.6M-L8C
10K-9.6M-XL10C
10K-9.6M-XL12C
10K-9.6M-XL14C

11.9 MOTOR

10K-11.9M-S8C
10K-11.9M-L8C
10K-11.9M-XL10C
10K-11.9M-XL12C
10K-11.9M-XL14C

BLOOM™ WINCH

Correct choice of Directional Control Valves for Bloom Winches

Winches require a **Motor Spool Control Valve**.
That is the valve's work ports are **open** to tank in neutral position.

*Winches require ridged mounting plate.
See owner's manual for information about proper mounting
plate thickness or call Bloom Sales Engineer at factory.

WARNING!

Goods are not intended for use in the moving or lifting of persons!

The winches described herein are neither designed nor intended for use or application to equipment used in the lifting or moving of persons and it is understood that all such use shall be at the sole risk of the user.

The cable clamps on winches are not designed to hold rated loads. A minimum of 5 wraps of cable must be left on drum barrel to guarantee holding of rated load.

Applications of winch where life would be endangered by any event are not recommended.



BLOOM Manufacturing Inc. **Winch Division**

1443 220th Street,, Independence, Iowa 50644

FAX 319-827-1140 PHONE 319-827-1139

www.bloommfg.com

©Copyright 2015 Bloom Mfg. Inc.