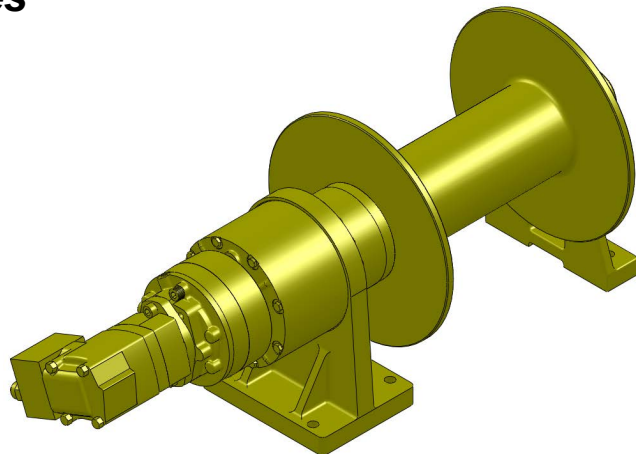


Series LS22K

Hydraulic Planetary Cable Winches

Lift-Safe® hydraulic winches are specifically designed for lifting applications and optimum load control. Engineered for enhanced safety with redundant braking systems, and available in a variety of configurations. Lift-Safe® winches utilize the **DUET-SAFE® Double Action Braking System** to provide both static and dynamic braking. **Series LS22K** direct drive winches are used for industrial pulling and hoisting applications, fishing boats, marine craft, drill rigs, small cranes, factory material handling and rear load waste handlers.



**UP TO 20,000 POUNDS
CAPACITY**

Lift-Safe® Hydraulic Cable Winches – Standard Features

- BRAKE** - **DUET-SAFE® Double Action Braking System** combines a powerful spring applied, hydraulic released brake with a double counter balance brake valve to automatically hold loads when hydraulic pressure is released and control speed during lowering operations. Winch is ideal for high speed lifting and pulling applications or wherever load holding is critical.
- GEAR CASE** - Made of high strength steel. Completely sealed for oil enclosed operation and to keep dirt out.
- PLANETARY GEAR** - High Efficiency Double Reduction – Rugged - Built to Last.
- GEAR RATIO** - 17:1 standard.
- BEARINGS** - Drum Shaft is supported by two heavy duty oil lubricated bearings in gear case, and one permanently sealed ball bearing in end housing.
- DRUM SHAFT** - 2-1/4" diameter heat-treated alloy steel minimum tensile strength 150,000 psi.
- CABLE DRUM** - Tough all steel construction resists breakage or warping.
- COUNTERBALANCE VALVE** - Adds additional safety and load handling capabilities to winch.



BLOOM
Manufacturing Inc.
Winch Division

*Lifting
Pulling
Hoisting*

Toll Free Number: 1-800-394-1139

Series LS22K Model Selection from Performance Data

"Quality Since
1910"

MODEL EXAMPLE: LS22K-6.2M -L145-17

LS22 = Lift-Safe® Series LS22K
with 2-1/4" Drum Shaft

K = Fail-Safe Brake with
Separate Motor

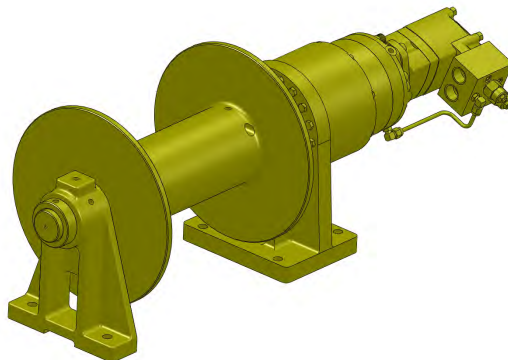
Hydraulic Motor Designation
4.9M, 6.2M, 8.0M, 9.6M & 11.9M

Gear Ratio
(17:1)

Drum Designation
S145, L145 With
5.50" Core

DRUM CAPACITY

CABLE DIAMETER (IN.)	5/16	3/8	7/16	1/2	9/16	5/8
DRUM "S145" CAPACITY (FT.)	674	465	305	234	170	126
DRUM "L145" CAPACITY (FT.)	1214	842	662	425	318	303



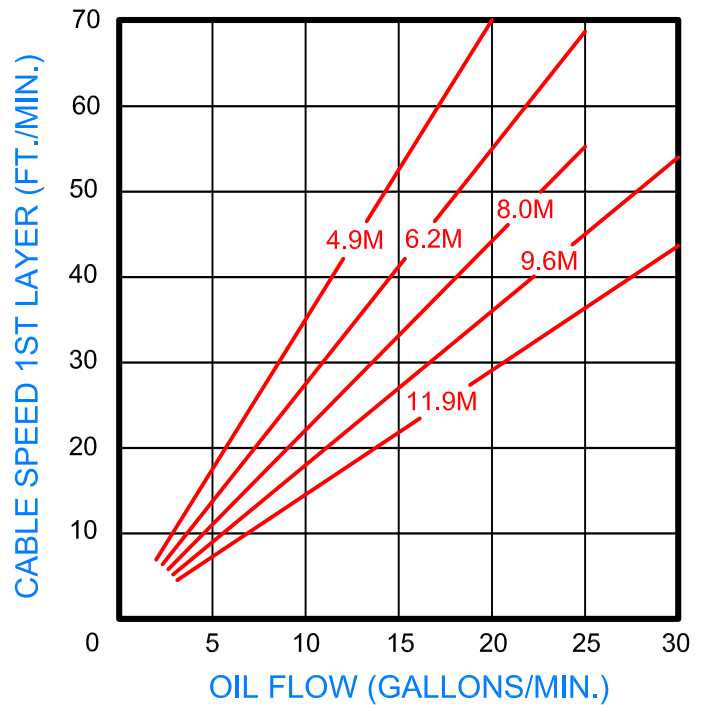
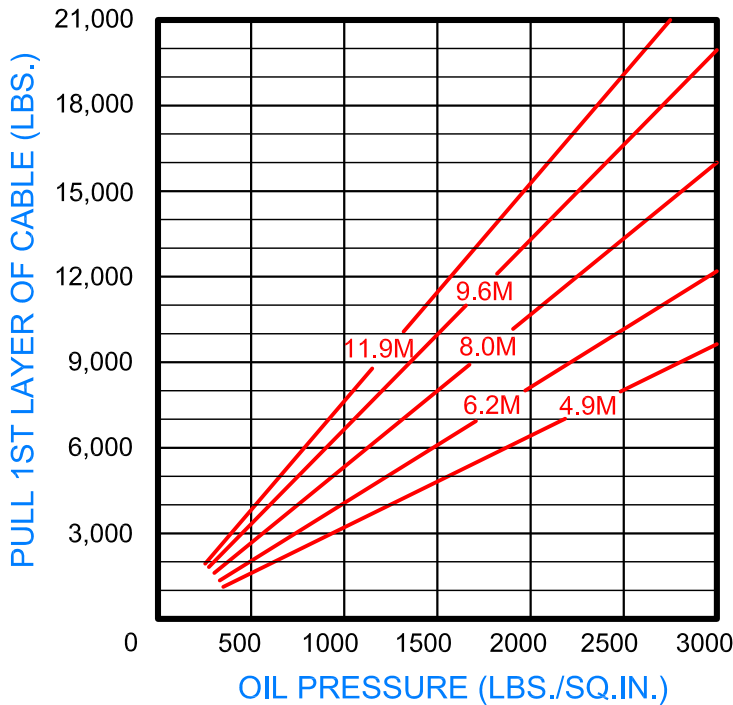
Lift Safe® Planetary Cable Winches

Series LS22K W/ 5.50" Core With Hydraulic Fail-safe Brake Model Selection from Performance Data



"Quality Since 1910"

17:1 RATIO



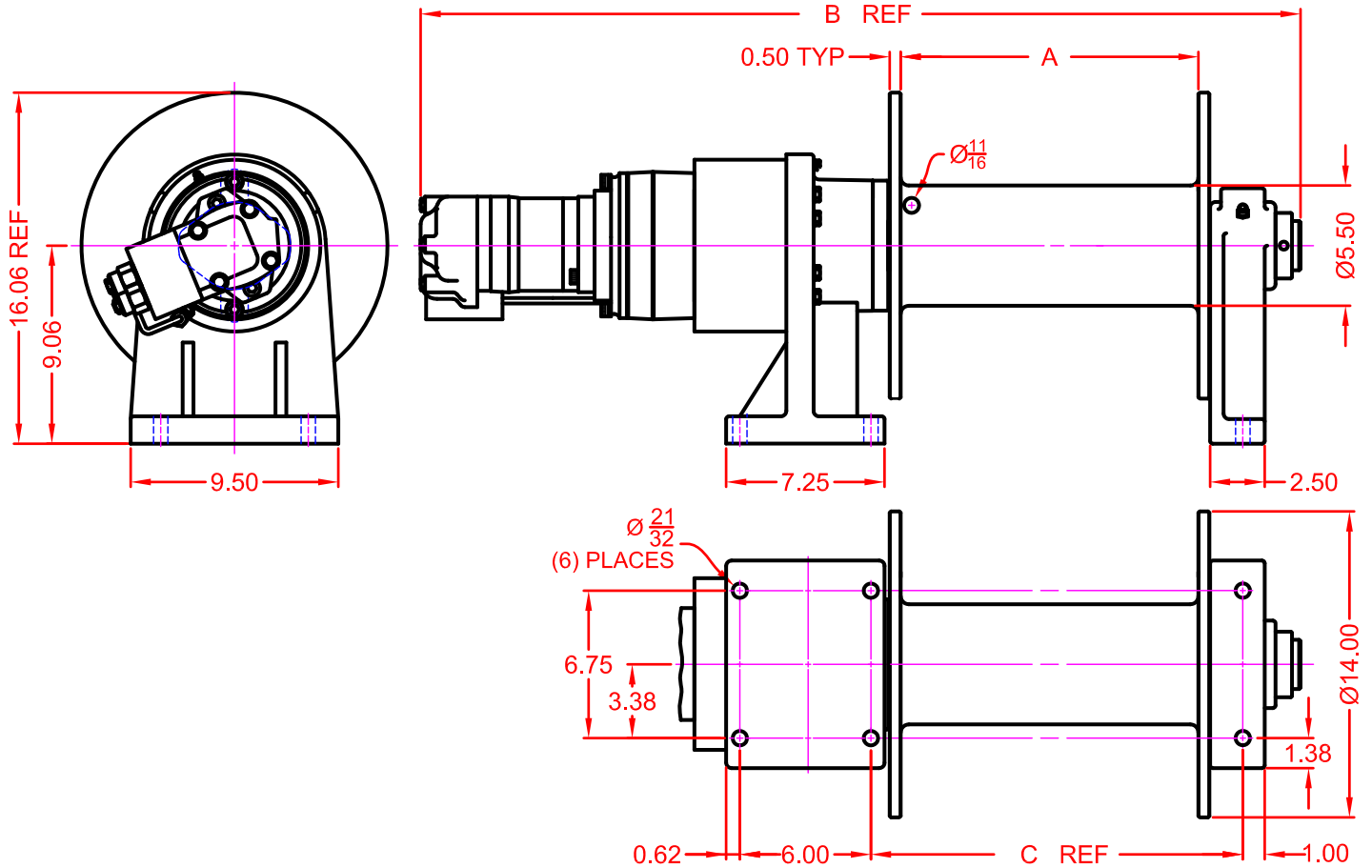


"Quality Since 1910"

LIFT-SAFE®

Dimensional Drawings

Series LS22K K JH 'G' 5'UbX' @ 5'8' fi a
Base Mount Model - Direct Drive



B DIMENSION	MOTOR DESIGNATION				
	4.9M	6.2M	8.0M	9.6M	11.9M
S145 DRUM	33.57	33.75	34.00	34.00	34.27
L145 DRUM	39.57	39.75	40.00	40.00	40.27

WINCH DIMENSION	DRUM DESIGNATION	
	S145 DRUM	L145 DRUM
A DIMENSION	7.63	13.63
C DIMENSION	11.02	17.02



LS22K SERIES MODEL SELECTION

4.9M MOTOR

LS22K-4.9M-S145-17

LS22K-4.9M-L145-17

6.2M MOTOR

LS22K-6.2M-S145-17

LS22K-6.2M-L145-17

8.0M MOTOR

LS22K-8.0M-S145-17

LS22K-8.0M-L145-17

9.6M MOTOR

LS22K-9.6M-S145-17

LS22K-9.6M-L145-17

11.9M MOTOR

LS22K-11.9M-S145-17

LS22K-11.9M-L145-17

LIFT-SAFE®

Correct choice of Directional Control Valves for Lift-Safe® Winches

All **Lift-Safe®** Winches require a **Motor Spool Control Valve**.

That is the valve's work ports are **open** to tank in neutral position.

*Winches require ridged mounting plate.
See owner's manual for information about proper mounting plate thickness or call Bloom Sales Engineer at factory

WARNING!

Goods are not intended for use in the moving or lifting of persons!

The winches described herein are neither designed nor intended for use or application to equipment used in the lifting or moving of persons and it is understood that all such use shall be at the sole risk of the user.

The cable clamps on winches are not designed to hold rated loads. A minimum of 5 wraps of cable must be left on drum barrel to guarantee holding of rated load.

Applications of winch where life would be endangered by any event are not recommended.



BLOOM Manufacturing Inc. **Winch Division**

1443 220th Street,, Independence, Iowa 50644

FAX 319-827-1140 PHONE 319-827-1139

www.bloommfg.com

©Copyright 2015 Bloom Mfg. Inc.