

BLOOM™ WINCH

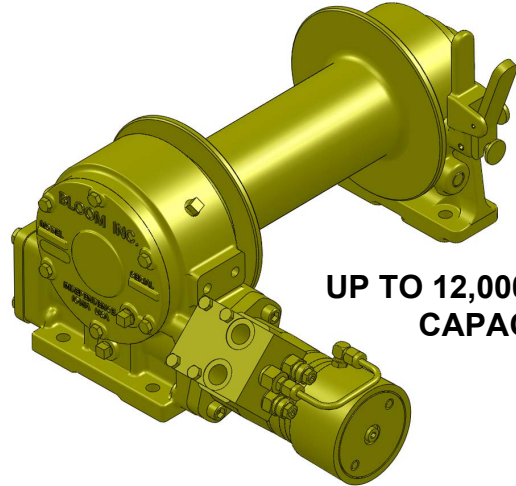


"Quality Since
1910"

Series 1200HC

HYDRAULIC CABLE WINCHES

The rugged construction and versatility of the **Series 1200HC** makes it adaptable to a wide range of applications. **Series 1200HC** winches are equipped with a sliding clutch to allow free-spooling of the drum for pulling and dragging applications including rear of cab and front mounting on ½ to 1½ ton trucks, material handling, mining and logging operations, flat bed trailers, air freight pullers, off the road tractors, and aboard ships and boats. **Series 1200HC** may be ordered galvanized.



UP TO 12,000 POUNDS
CAPACITY

Bloom™ Hydraulic Cable Winches – Standard Features

- MOTOR-BRAKE** - **DUET-SAFE® Double Action Braking System** combines a powerful spring applied, hydraulic released brake with a double counter balance brake valve to automatically hold loads when hydraulic pressure is released and control speed during lowering operations. Winch is ideal for high speed pulling applications or wherever load holding is critical.
- GEAR CASE** - Made of high strength cast iron. Completely sealed for oil enclosed operation and to keep dirt out.
- WORM SHAFT** - One piece alloy steel hardened and ground for extra durability.
- WORM GEAR** - High tensile aluminum-nickel alloy bronze. Optimum lead and pressure angles transmit maximum power to the drum.
- GEAR RATIO** - 20:1 standard, 27:1 and 40:1 optional ratios provide optimum efficiency in power and speed.
- BEARINGS** - Worm gear and worm shaft run on tapered roller bearings. Outer end housing has a sealed ball bearing.
- DRUM SHAFT** - 1-1/2" diameter heat-treated alloy steel minimum tensile strength 150,000 psi.
- CABLE DRUM** - Tough all steel construction resists breakage or warping.
- CLUTCH** - Series 1200HC winches comes equipped with heat-treated dog type clutch to provide free-spooling of the winch drum. Positive lock-in and lock-out.



www.bloommfg.com

BLOOM

Manufacturing Inc.

Winch Division

"Custom Engineered Solutions"

Lifting
Pulling
Hoisting

Toll Free Number: 1-800-394-1139

1443 220th Street., Independence, Iowa 50644 • FAX: 319-827-1140 • PHONE: 319-827-1139

BLOOM™ WINCH

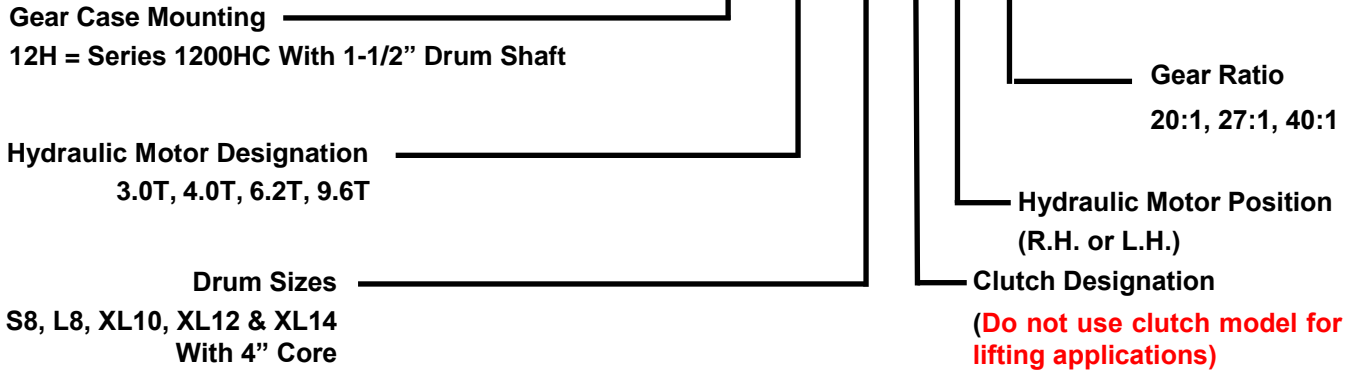


Series 1200HC

Model Selection from Performance Data

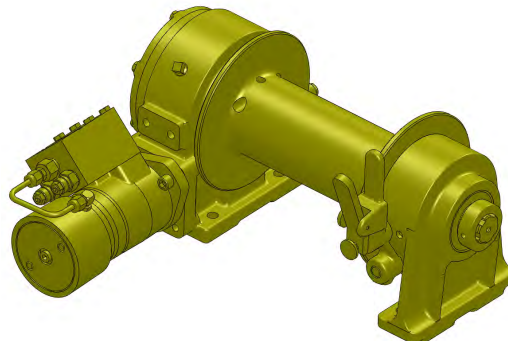
"Quality Since 1910"

MODEL EXAMPLE: 12H-3.0T-L8-C-RH-20



DRUM CAPACITY

CABLE DIAMETER (IN.)	1/4	5/16	3/8	7/16	1/2
DRUM "S8" CAPACITY (FT.)	260	160	105	75	55
DRUM "L8" CAPACITY (FT.)	390	240	160	110	80
DRUM "XL10" CAPACITY (FT.)	840	550	340	250	170
DRUM "XL12" CAPACITY (FT.)	1320	840	580	380	280
DRUM "XL14" CAPACITY (FT.)	1900	1180	760	540	410



BLOOM™ WINCH

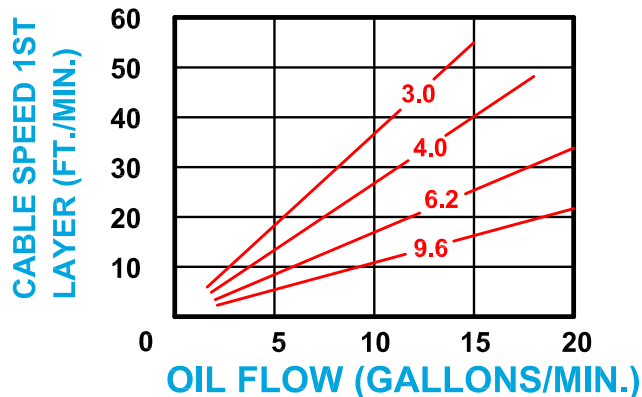
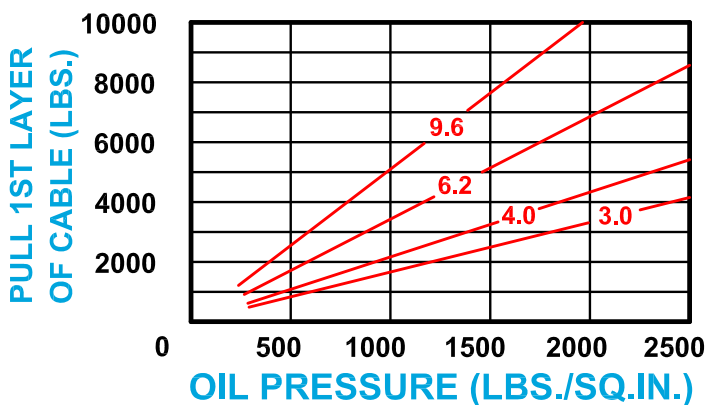


Series 1200HC

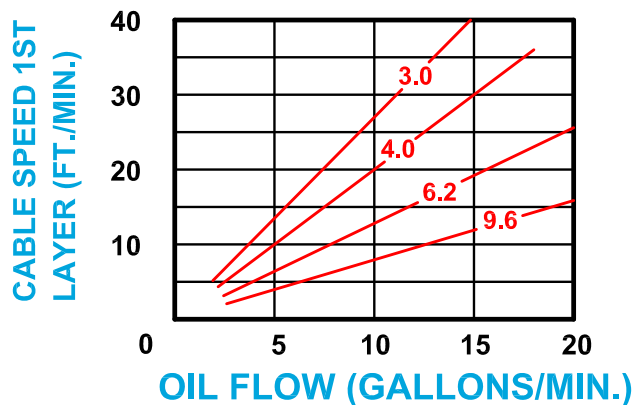
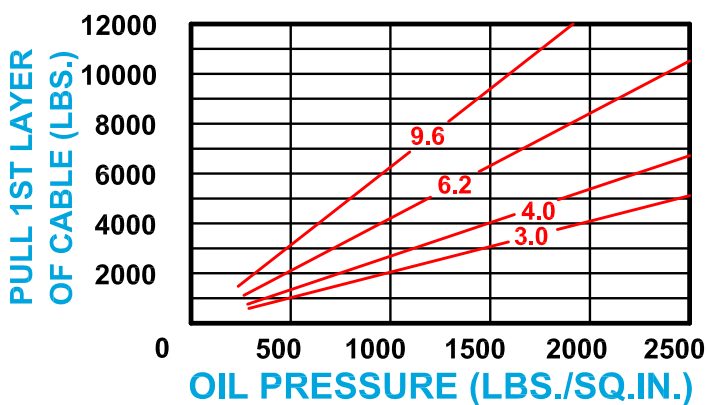
Model Selection from Performance Data

"Quality Since 1910"

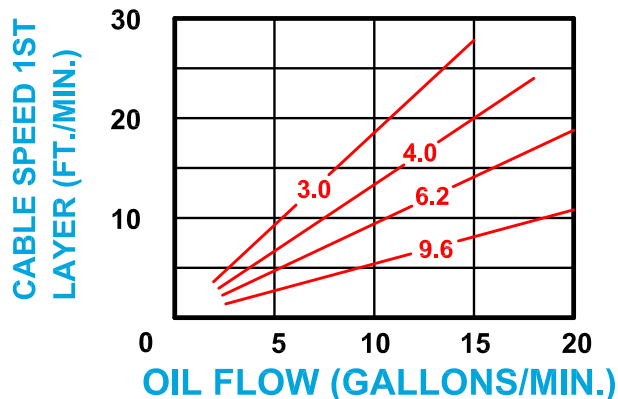
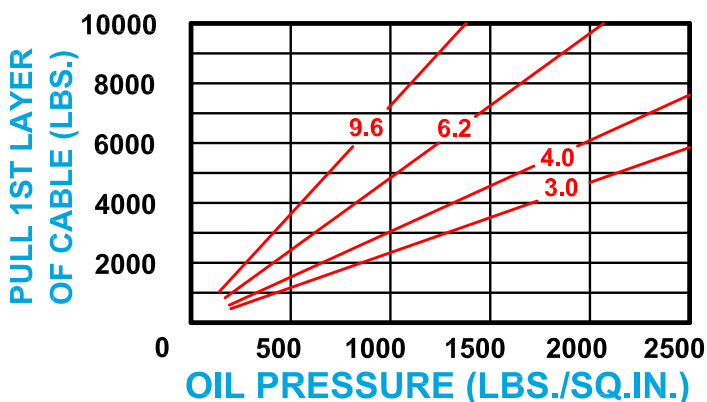
20:1 RATIO (standard)



27:1 RATIO (optional)



40:1 RATIO (optional)



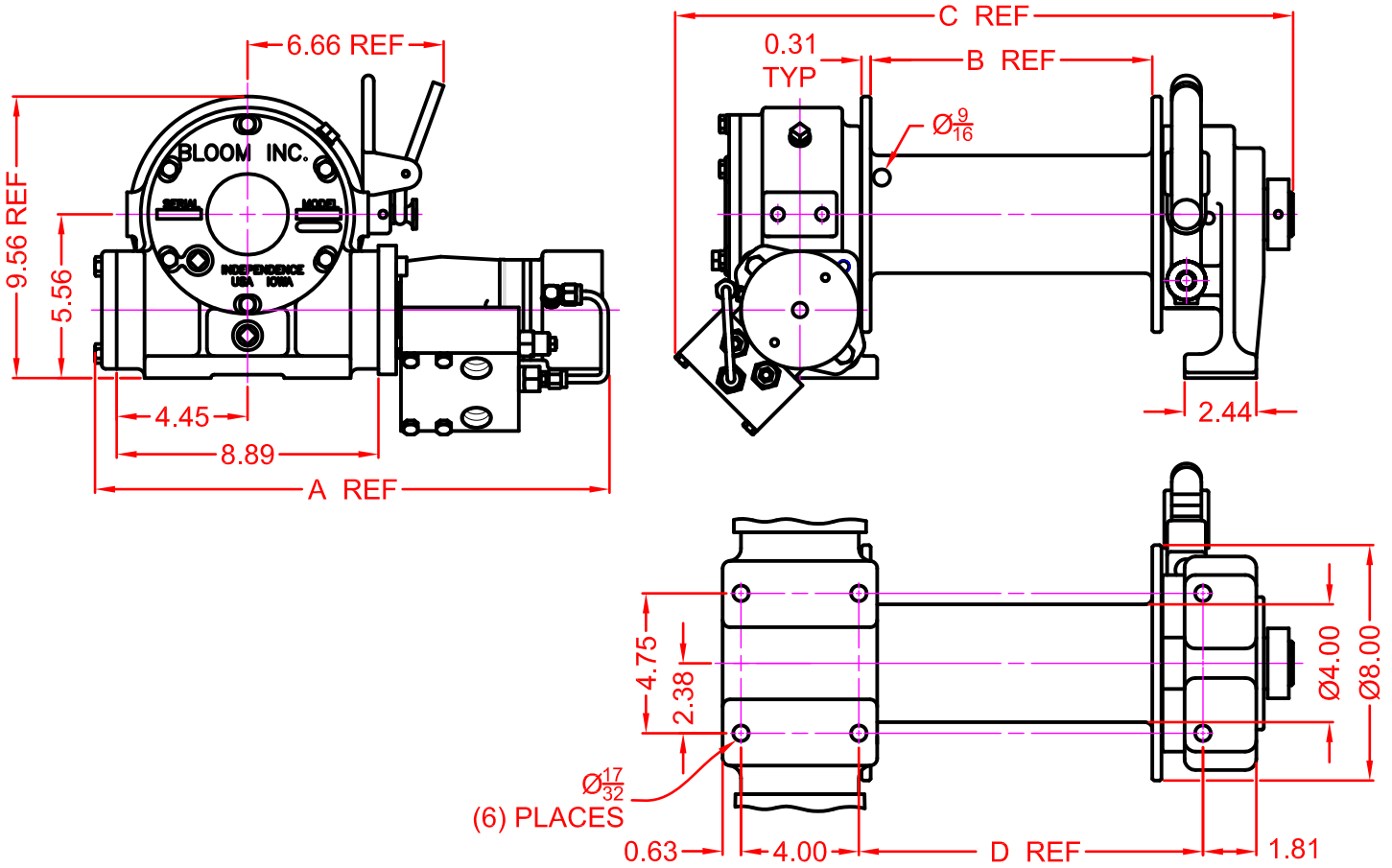


"Quality Since 1910"

BLOOM™ WINCH

Dimensional Drawings

Series 7 K JH S8 and L8 Drum
Base Mount Model - 7 i HW Drive



MOTOR DESIGNATION	3.0	4.0	6.2	9.6
(A) DIMENSION	17.48	17.60	17.85	18.10

DRUM DESIGNATION	WINCH DIMENSION		
	B	C	D
S8	6.69	17.98	8.68
L8	9.69	20.98	11.68

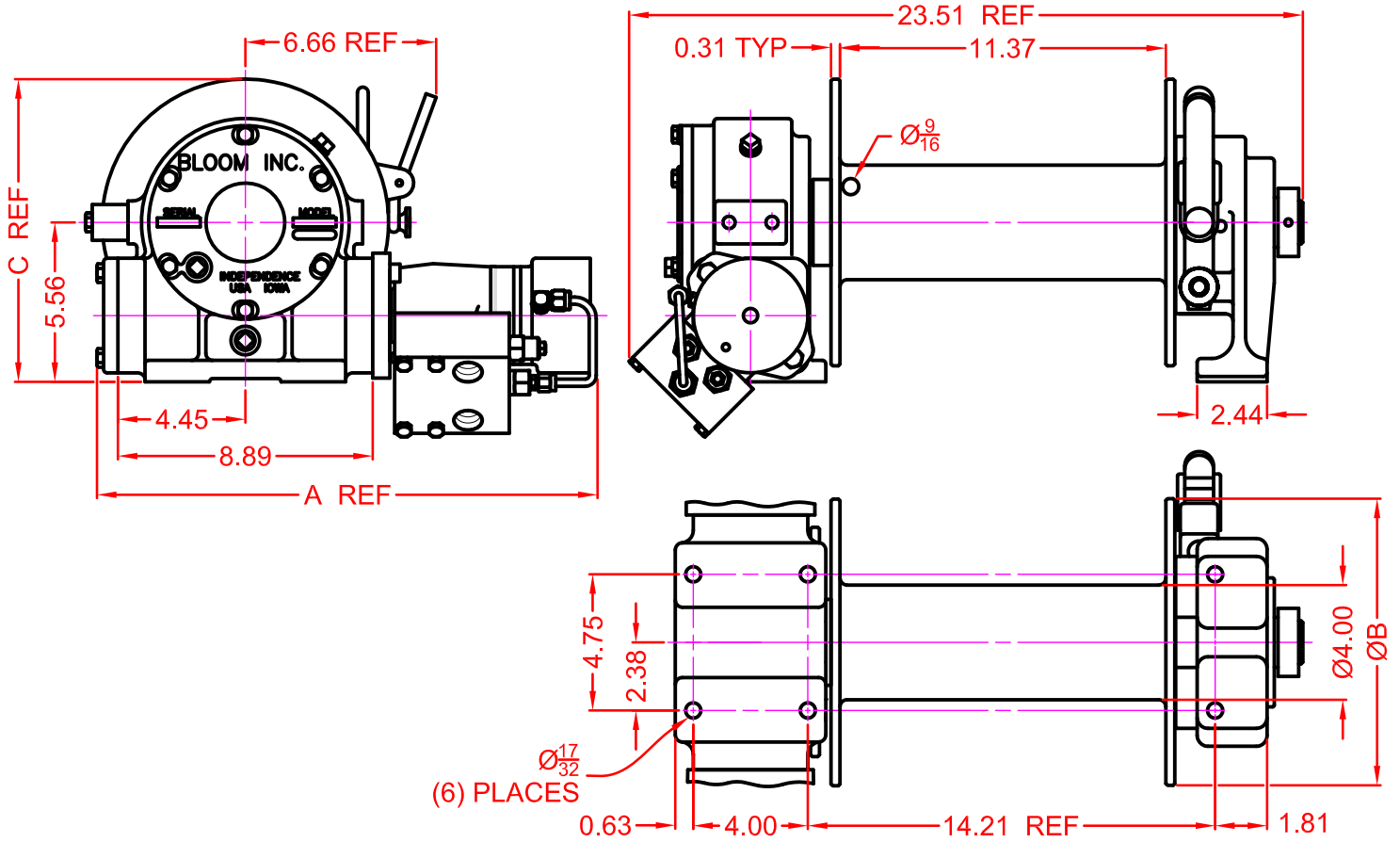


“Quality Since
1910”

BLOOM™ WINCH

Dimensional Drawings

Series 7 K JH XL10, XL12 and XL14 Drum
Base Mount Model - 7 i HW Drive



MOTOR DESIGNATION	3.0	4.0	6.2	9.6
(A) DIMENSION	17.48	17.60	17.85	18.10

DRUM DESIGNATION	XL10	XL12	XL14
B DIMENSION	10	12	14
C DIMENSION	10.56	11.56	12.56

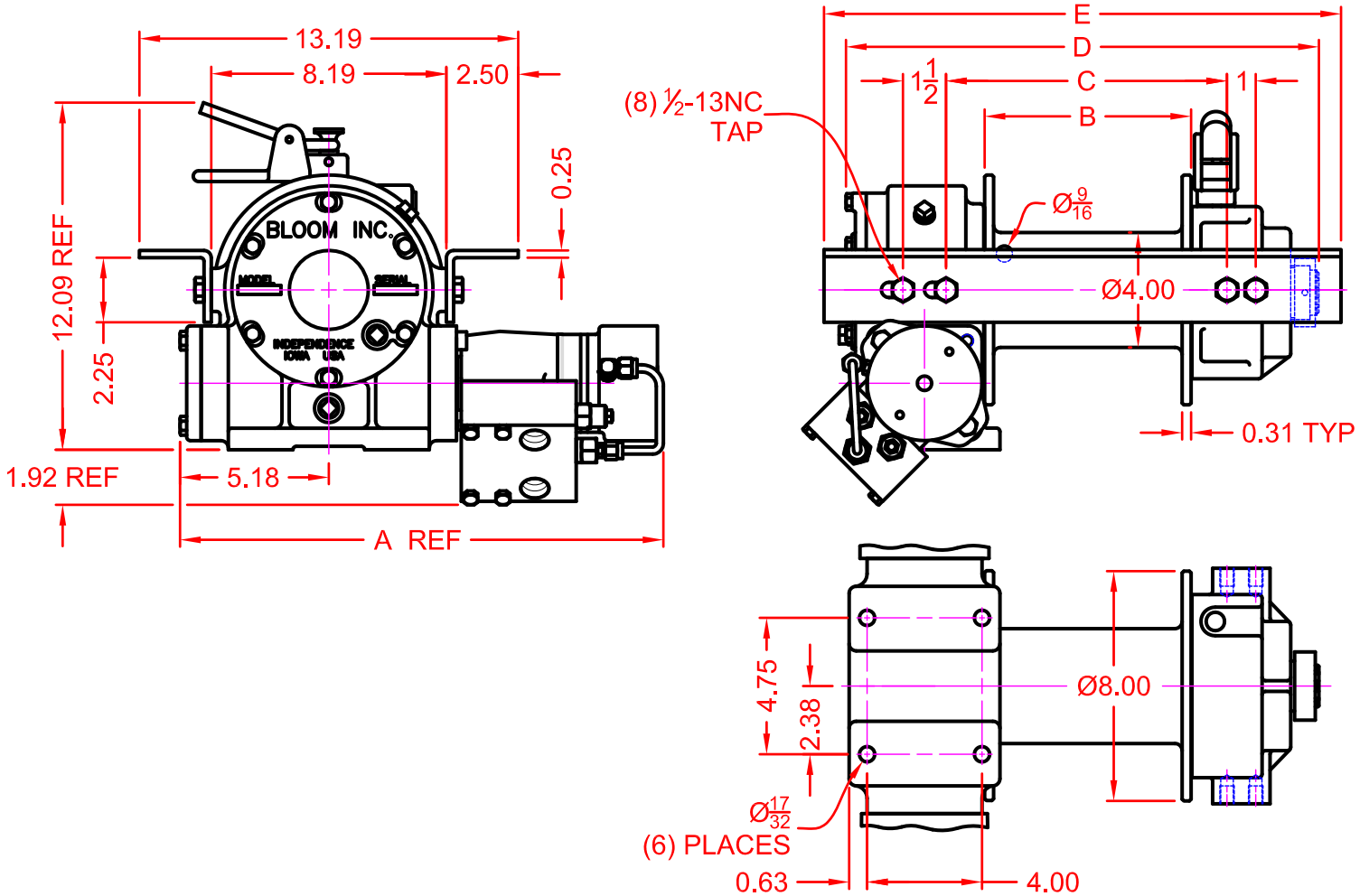


“Quality Since
1910”

BLOOM™ WINCH

Dimensional Drawings

Series \$\$\$<7 K JH `S8 and L8 Drum
Low Profile Model - 7`i W Drive



MOTOR DESIGNATION	3.0	4.0	6.2	9.6
(A) DIMENSION	17.48	17.60	17.85	18.10

DRUM DESIGNATION	WINCH DIMENSION					
	B	C	D	E	F	G
S8	7.19	9.75	16.44	18.00	9.28	14.46
L8	10.19	12.75	19.44	21.00	12.28	17.46

BLOOM™ WINCH

1200HC Series Model Selection

3.0T MOTOR

12H-3.0T-S8C
12H-3.0T-L8C
12H-3.0T-XL10C
12H-3.0T-XL12C
12H-3.0T-XL14C

6.2T MOTOR

12H-6.2T-S8C
12H-6.2T-L8C
12H-6.2T-XL10C
12H-6.2T-XL12C
12H-6.2T-XL14C

9.6T MOTOR

12H-9.6T-S8C
12H-9.6T-L8C
12H-9.6T-XL10C
12H-9.6T-XL12C
12H-9.6T-XL14C

BLOOM™ WINCH

Correct choice of Directional Control Valves for Bloom Winches

Winches require a **Motor Spool Control Valve**.
That is the valve's work ports are **open** to tank in neutral position.

*Winches require ridged mounting plate.
See owner's manual for information about proper mounting
plate thickness or call Bloom Sales Engineer at factory.

WARNING!

Goods are not intended for use in the moving or lifting of persons!

The winches described herein are neither designed nor intended for use or application to equipment used in the lifting or moving of persons and it is understood that all such use shall be at the sole risk of the user.

The cable clamps on winches are not designed to hold rated loads. A minimum of 5 wraps of cable must be left on drum barrel to guarantee holding of rated load.

Applications of winch where life would be endangered by any event are not recommended.



BLOOM Manufacturing Inc. **Winch Division**

1443 220th Street,, Independence, Iowa 50644

FAX 319-827-1140 PHONE 319-827-1139

www.bloommfg.com

©Copyright 2015 Bloom Mfg. Inc.