

# BLOOM™ WINCH

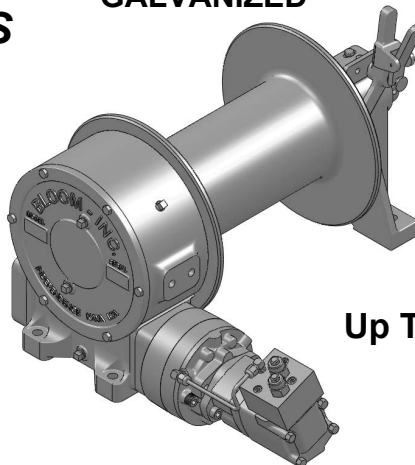


## Series 1400KC Galv

### HYDRAULIC CABLE WINCHES

The rugged construction and versatility of **Series 1400KC Galv** makes it adaptable to a wide range of applications. **Series 1400KC Galv** Series winches are equipped with a sliding clutch to allow free-spooling of the drum for pulling and dragging applications such as trailers, mining, logging equipment and off road tractors. **Series 1400KC Galv** is equipped with a hydraulic fail-safe brake.

GALVANIZED



*"Quality Since 1910"*

Series 1400KC Galv shown with clutch and hydraulic brake Low Profile or Base Mount Available

**Up To 15,000 POUNDS CAPACITY**

## Bloom™ Hydraulic Cable Winches – Standard Features

- |                   |  |
|-------------------|--|
| <b>BRAKE</b>      | - <b>DUET-SAFE® Double Action Braking System</b> combines a powerful spring applied, hydraulic released brake with a double counter balance brake valve to automatically hold loads when hydraulic pressure is released and control speed during lowering operations. Winch is ideal for high speed pulling applications or wherever load holding is critical. |
| <b>GEAR CASE</b>  | - Made of high strength cast iron. Completely sealed for oil enclosed operation and to keep dirt out.  |
| <b>WORM SHAFT</b> | - One piece alloy steel hardened and ground for extra durability. Seal on worm allows brake to be removed without draining oil.  |
| <b>WORM GEAR</b>  | - High tensile aluminum-nickel alloy bronze cast on high strength ductile iron hub. Optimum lead and pressure angles transmit maximum power to the drum.   |
| <b>GEAR RATIO</b> | - 25:1 standard & 12.5:1 optional ratios provide optimum efficiency in power and speed.  |
| <b>BEARINGS</b>   | - Worm gear and worm shaft run on tapered roller bearings. Outer end housing has a grease zerk for lubricating the bronze bushing.   |
| <b>DRUM SHAFT</b> | - 2-1/4" diameter heat-treated alloy steel minimum tensile strength 150,000 psi.   |
| <b>CABLE DRUM</b> | - Tough all steel construction resists breakage or warping.  |
| <b>CLUTCH</b>     | - Series 1400KC Galv winches come with heat-treated dog type clutch to provide free-spooling of the winch drum. Positive lock-in and lock-out.   |



www.bloommfg.com

**BLOOM**  
Manufacturing LLC  
Winch Division

**"Custom Engineered Solutions"**

**Lifting  
Pulling  
Hoisting**

Toll Free Number: 1-800-394-1139

1443 220<sup>th</sup> Street, Independence, Iowa 50644 • FAX: 319-827-1140 • PHONE: 319-827-1139

RV7/2020

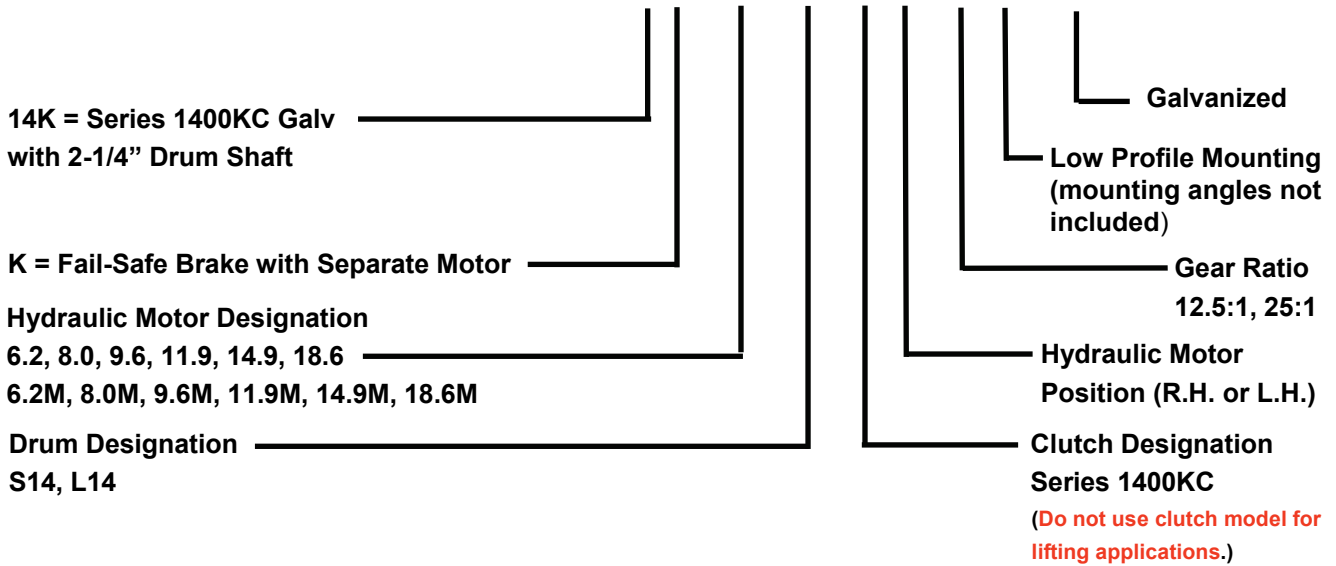
# BLOOM™ WINCH



## Series 1400KC Galv Model Selection from Performance Data

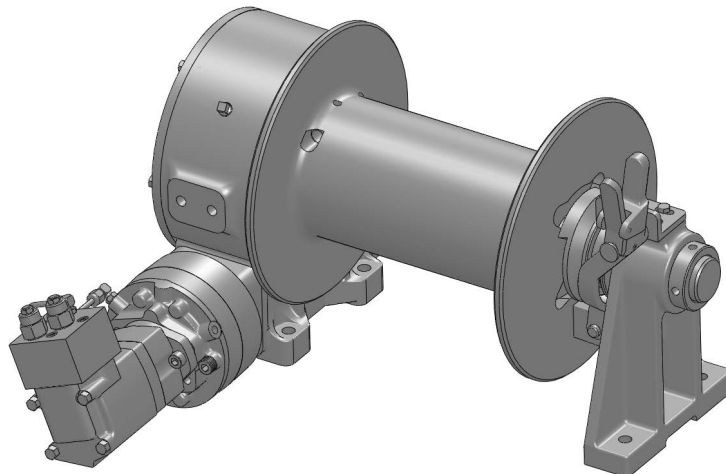
"Quality Since  
1910"

MODEL EXAMPLE: **14K-6.2M-L14-C-RH-25-LP-GALV**



## DRUM CAPACITY

CABLE DIAMETER (IN.)	5/16	3/8	7/16	1/2	9/16	5/8
DRUM "S14" CAPACITY (FT.)	615	400	300	225	160	115
DRUM "L14" CAPACITY (FT.)	1100	712	517	409	295	200



# BLOOM™ WINCH

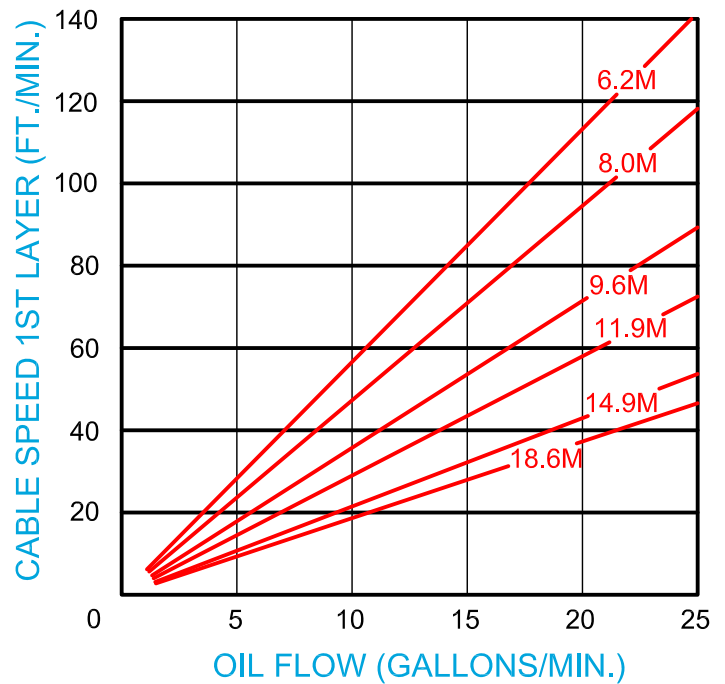
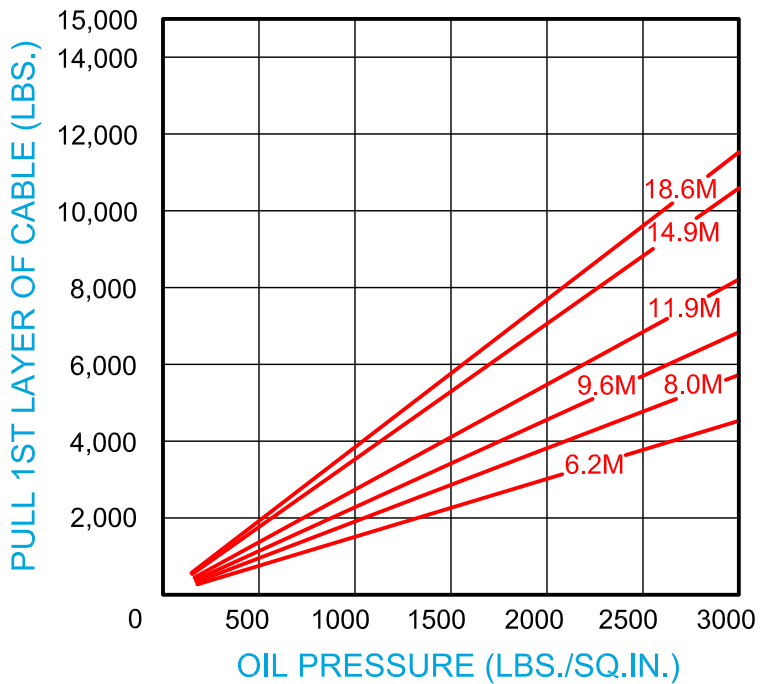


## Series 1400KC Galv

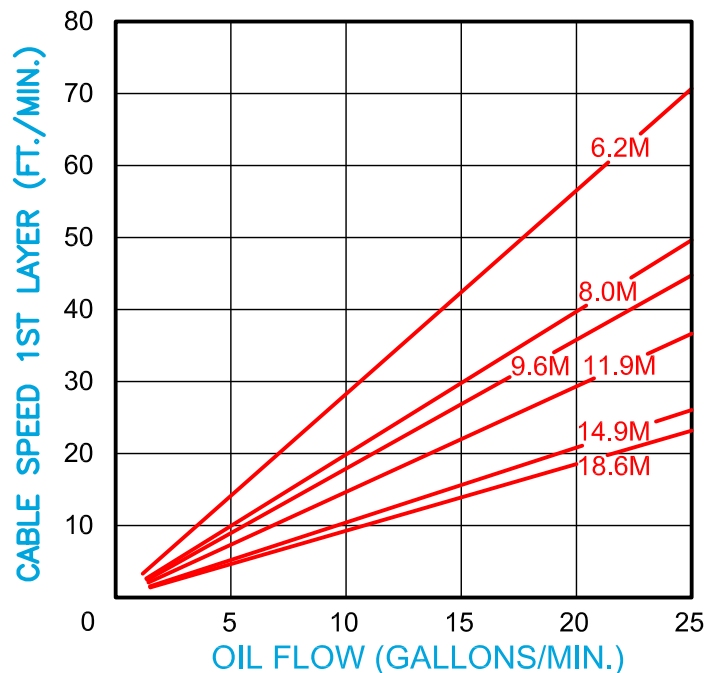
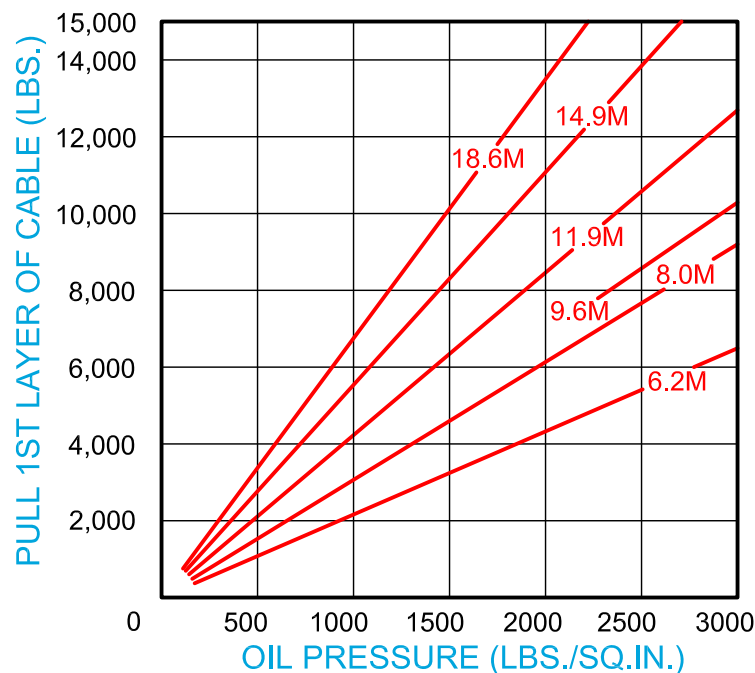
### Bloom Hydraulic Cable Winches Model Selection from Performance Data

1910"

#### 12.5:1 RATIO (optional)



#### 25:1 RATIO (standard)



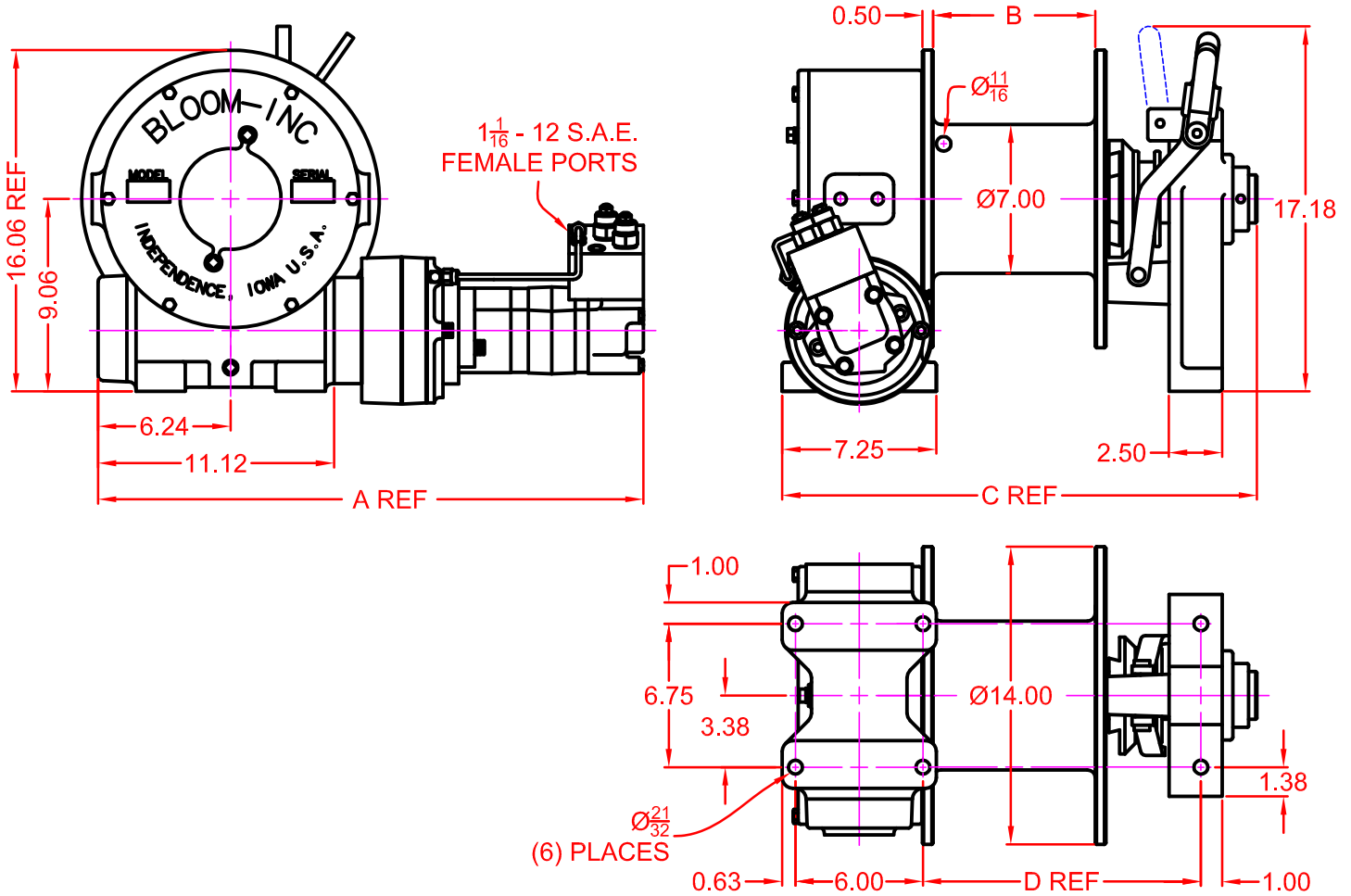


# BLOOM™ WINCH

## Dimensional Drawings

"Quality Since 1910"

Series 1400KC Galv K JH 'S14 and L14 Drum  
Base Mount Model - Clutch Drive



MOTOR DESIGNATION	6.2M	9.6M	11.9M	18.6M
A DIMENSION	24.42	24.67	24.94	25.74

DRUM DESIGNATION	B	C	D
S14	7.63	22.35	13.08
L14	13.63	28.35	19.08

CABLE DIAMETER (IN.)	5/16	3/8	7/16	1/2	9/16	5/8
DRUM "S14" CAPACITY (FT.)	615	400	300	225	160	115
DRUM "L14" CAPACITY (FT.)	1100	712	517	409	295	200

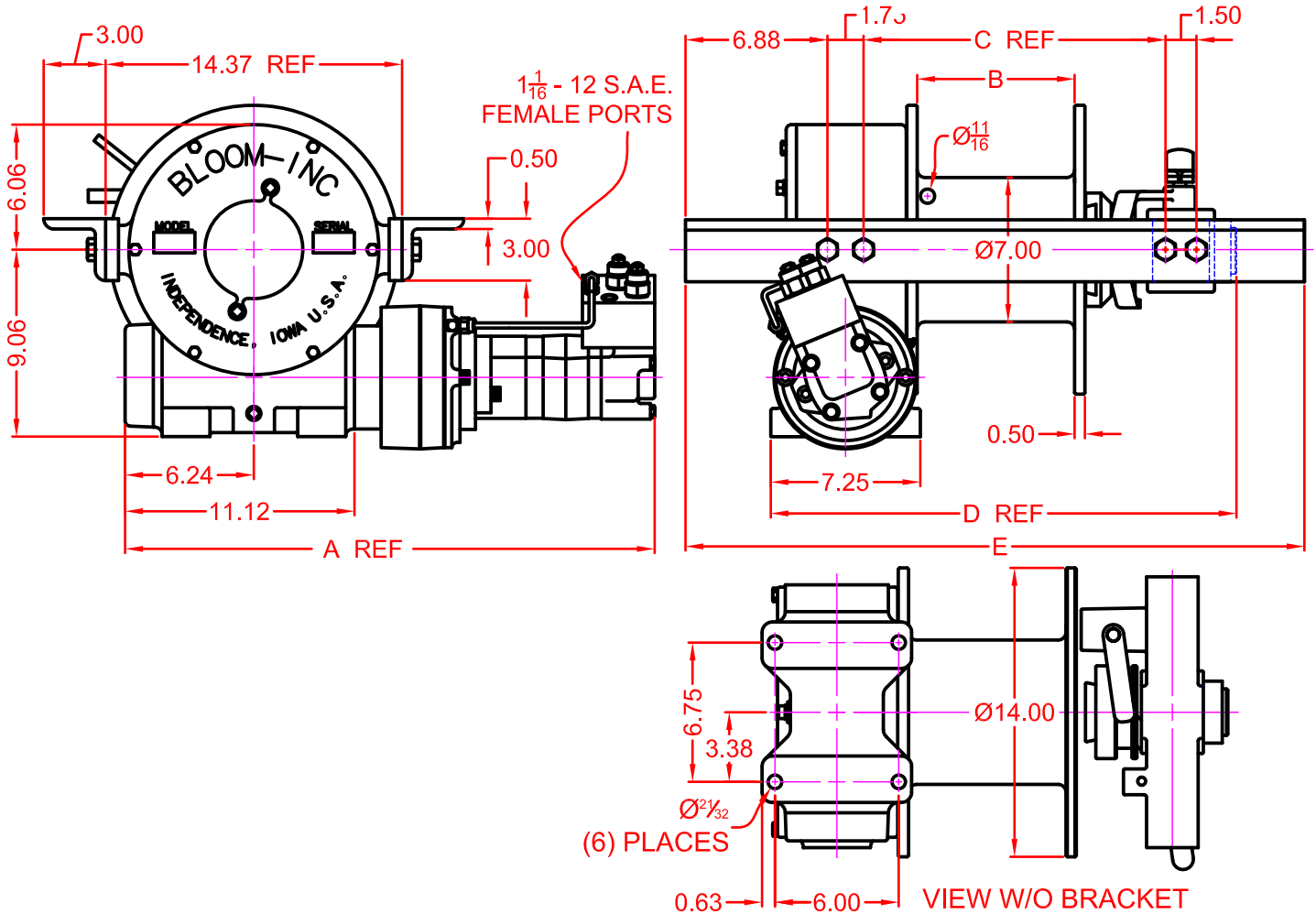


"Quality Since 1910"

# BLOOM™ WINCH

## Dimensional Drawings

Series 1400KC Galv K Jh 'S14 and L14 Drum  
Low Profile Model - Clutch Drive



MOTOR DESIGNATION	6.2M	9.6M	11.9M	18.6M
A DIMENSION	24.42	24.67	24.94	25.74

DRUM DESIGNATION	B	C	D	E
S14	7.63	14.64	22.58	30
L14	13.63	20.64	28.58	36

CABLE DIAMETER (IN.)	5/16	3/8	7/16	1/2	9/16	5/8
DRUM "S14" CAPACITY (FT.)	615	400	300	225	160	115
DRUM "L14" CAPACITY (FT.)	1100	712	517	409	295	200

# **BLOOM™ WINCH**

## Correct choice of Directional Control Valves for Bloom Winches

Winches require a **Motor Spool Control Valve**.  
That is the valve's work ports are **open** to tank in neutral position.

\*Winches require ridged mounting plate.  
See owner's manual for information about proper mounting  
plate thickness or call Bloom Sales Engineer at factory.

### **WARNING!**

Goods are not intended for use in the moving or lifting of  
persons!

The winches described herein are neither designed nor intended  
for use or application to equipment used in the lifting or moving of  
persons and it is understood that all such use shall be at the sole  
risk of the user.

The cable clamps on winches are not designed to hold rated  
loads. A minimum of 5 wraps of cable must be left on drum barrel  
to guarantee holding of rated load.

Applications of winch where life would be endangered by any  
event are not recommended.



## **BLOOM Manufacturing LLC** **Winch Division**

1443 220<sup>th</sup> Street,, Independence, Iowa 50644

FAX 319-827-1140 PHONE 319-827-1139

[www.bloommfg.com](http://www.bloommfg.com)

©Copyright 2020 Bloom Mfg. LLC