

# BLOOM™ WINCH



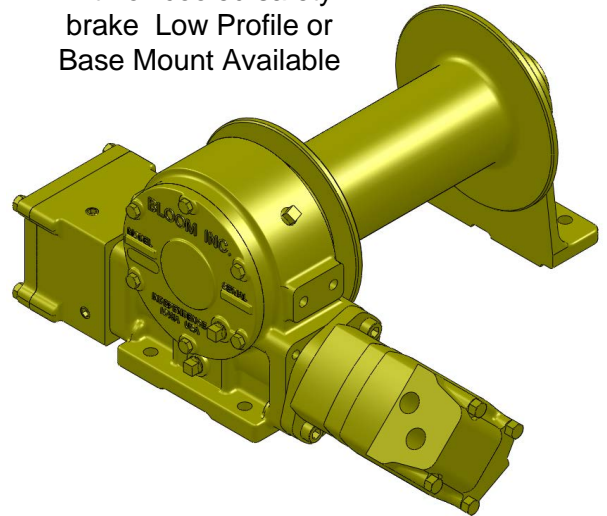
## Series 1200 & Series 1200C

### HYDRAULIC CABLE WINCHES

The rugged construction and versatility of the **Series 1200 and Series 1200C** make it adaptable to a wide range of applications. **Series 1200** direct drive winches are used for industrial pulling and hoisting applications, fishing boats, marine craft, drill rigs, small cranes, factory material handling and rear load waste handlers. **Series 1200C** winches are equipped with a sliding clutch to allow free-spooling of the drum for pulling and dragging applications including factory material handling, mining and logging equipment, flat bed trailers, air freight pullers, off the road tractors and rear of cab and front mounting on ½ to 1½ ton trucks. Both **Series 1200 and Series 1200C** are available with a oil cooled adjustable automatic safety brake in a variety of motor displacements. **Series 1200 and Series 1200C** may be ordered galvanized.

*"Quality Since  
1910"*

1200 Series shown  
with oil cooled safety  
brake Low Profile or  
Base Mount Available



**UP TO 12,000 POUNDS  
CAPACITY**

## Bloom™ Hydraulic Cable Winches – Standard Features

- |                      |  |
|----------------------|--|
| <b>GEAR CASE</b>     | - Made of high strength cast iron. Completely sealed for oil enclosed operation and to keep dirt out.  |
| <b>WORM SHAFT</b>    | - One piece alloy steel hardened and ground for extra durability.  |
| <b>WORM GEAR</b>     | - High tensile aluminum-nickel alloy bronze. Optimum lead and pressure angles transmit maximum power to the drum.                                  |
| <b>GEAR RATIO</b>    | - 20:1 standard, 27:1 and 40:1 optional ratios provide optimum efficiency in power and speed.  |
| <b>BEARINGS</b>      | - Worm gear and worm shaft run on tapered roller bearings. Outer end housing has a sealed ball bearing.  |
| <b>DRUM SHAFT</b>    | - 1-1/2" diameter heat -treated alloy steel minimum tensile strength 150,000 psi.  |
| <b>CABLE DRUM</b>    | - Tough all steel construction resists breakage or warping.  |
| <b>CLUTCH OPTION</b> | - Series 1200C winches comes equipped with heat-treated dog type clutch to provide free-spooling of the winch drum. Positive lock-in and lock-out. |
| <b>BRAKE OPTION</b>  | - Oil cooled automatic safety brake disengages when a load is lifted and automatically engages when power is removed or the load is lowered.       |



[www.bloommfg.com](http://www.bloommfg.com)

**BLOOM**  
Manufacturing Inc.  
Winch Division

*Lifting  
Pulling  
Hoisting*

Toll Free Number: 1-800-394-1139

**"Custom Engineered Solutions"**

1443 220<sup>th</sup> Street, Independence, Iowa 50644 • FAX: 319-827-1140 • PHONE: 319-827-1139

# BLOOM™ WINCH



## Series 1200 & Series 1200C Model Selection from Performance Data

Quality Since  
1910™

MODEL EXAMPLE: 12-B-4.9-L8-C-RH-20-LP

Gear Case and Shaft Designation  
12 = Series 1200 or 1200C with 1-1/2" Drum Shaft

Oil Cooled  
Automatic  
Safety Brake

Hydraulic Motor Designation  
A, B, C, DD, E, G, 4.9, 6.2, 8.0, 9.6, 11.9  
N - No Motor  
IS - Input Shaft

Drum Sizes  
S8, L8, XL10, XL12, XL14

Low Profile Mounting  
(specify with or without  
mounting angles)

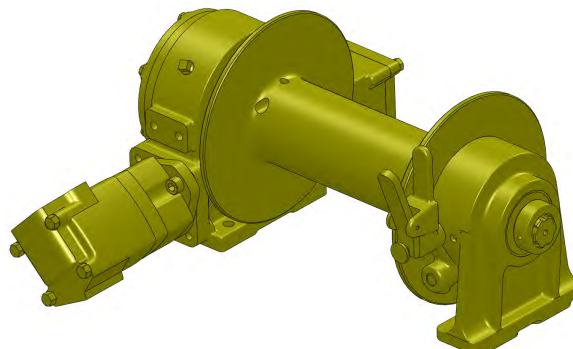
Gear Ratio  
20:1, 27:1, 40:1

Hydraulic Motor Position  
(R.H. or L.H.)

Clutch Designation  
(1200C Series)

### DRUM CAPACITY

CABLE DIAMETER (IN.)	1/4	5/16	3/8	7/16	1/2
DRUM "S8" CAPACITY (FT.)	260	160	105	75	55
DRUM "L8" CAPACITY (FT.)	390	240	160	110	80
DRUM "XL10" CAPACITY (FT.)	840	550	340	250	170
DRUM "XL12" CAPACITY (FT.)	1320	840	580	380	280
DRUM "XL14" CAPACITY (FT.)	1900	1180	760	540	410



# BLOOM™ WINCH

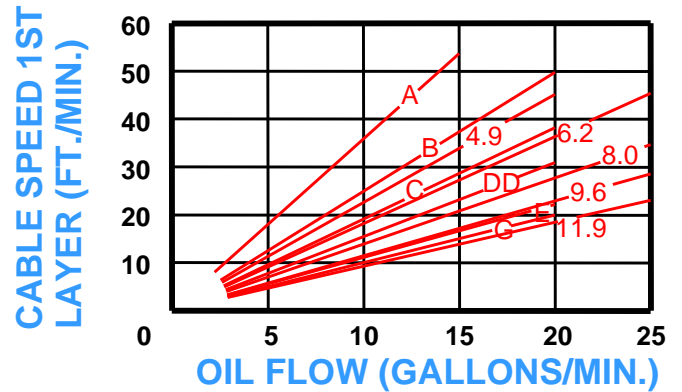
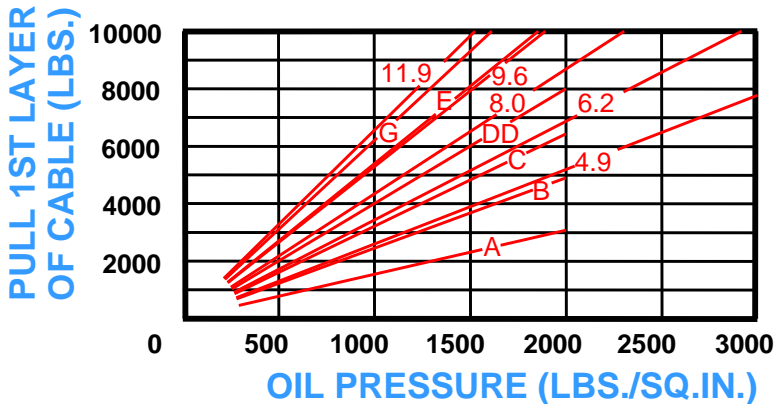


## Series 1200 & Series 1200C

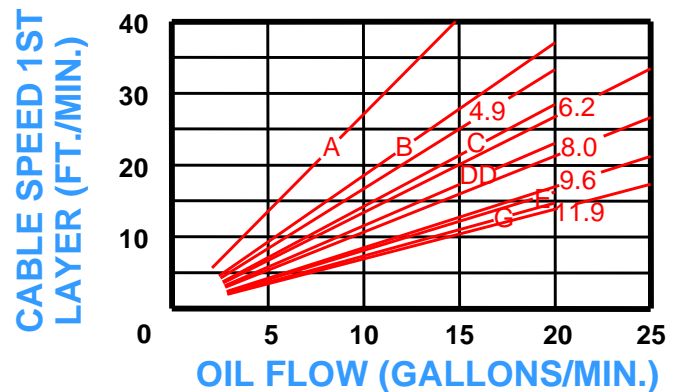
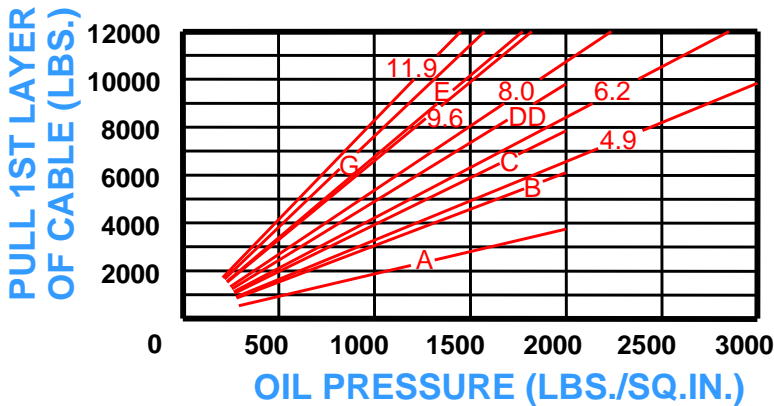
"Quality Since 1910"

### Bloom Hydraulic Cable Winches With Oil Cooled Automatic Safety Brake Model Selection from Performance Data

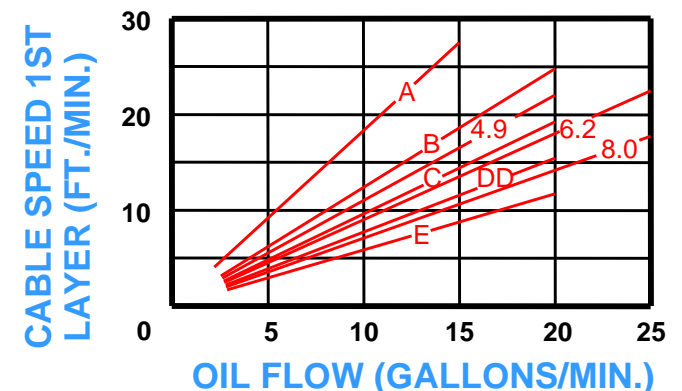
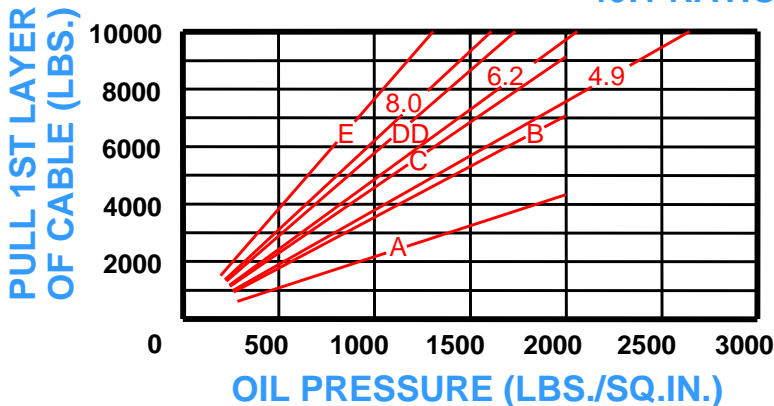
20:1 RATIO (standard)



27:1 RATIO (optional)



40:1 RATIO (optional)



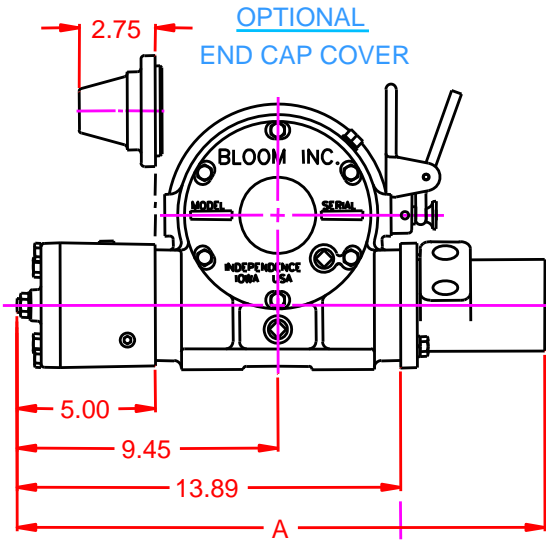


# BLOOM™ WINCH

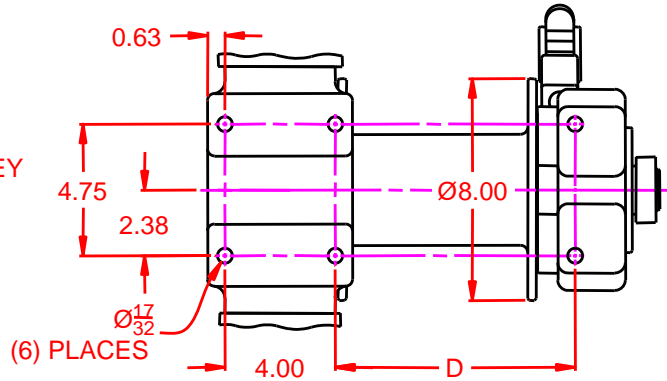
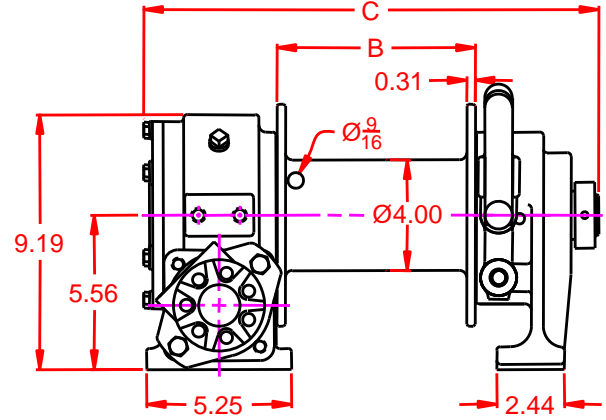
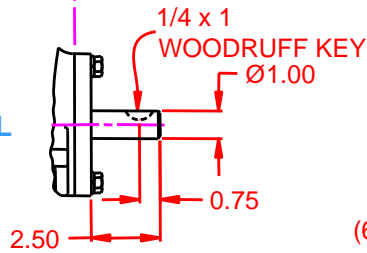
## Dimensional Drawings

“Quality Since  
1910”

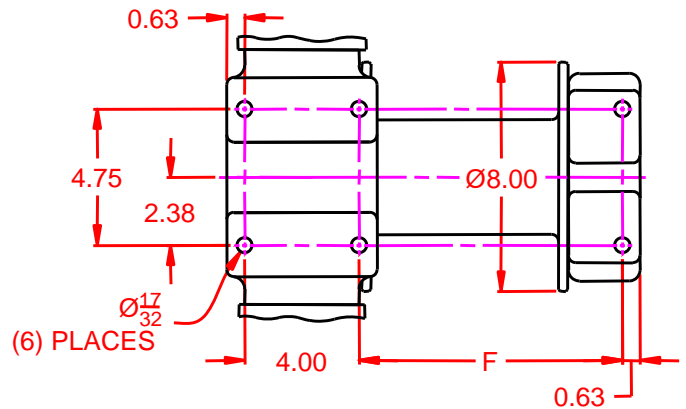
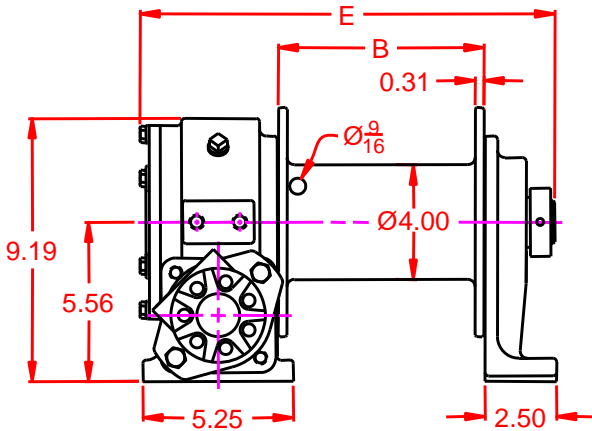
Series 1200 & Series 1200C With S8 and L8 Drum  
Base Mount Model - Clutch and Direct Drive



INPUT SHAFT MODEL



### SERIES 1200C BASE MOUNT, CLUTCH DRIVE



### SERIES 1200 BASE MOUNT, DIRECT DRIVE

MOTOR DESIGNATION	A	B	C	DD	E	G	4.9	6.2	8.0	9.6	11.9
(A) DIMENSION	19.11	19.26	19.38	19.51	19.73	19.86	21.15	21.33	21.58	21.58	21.85

DRUM DESIGNATION	WINCH DIMENSION				
	(B)	(C)	(D)	(E)	(F)
S8	7.19	16.48	8.68	14.48	9.18
L8	10.19	19.48	11.68	17.48	12.18

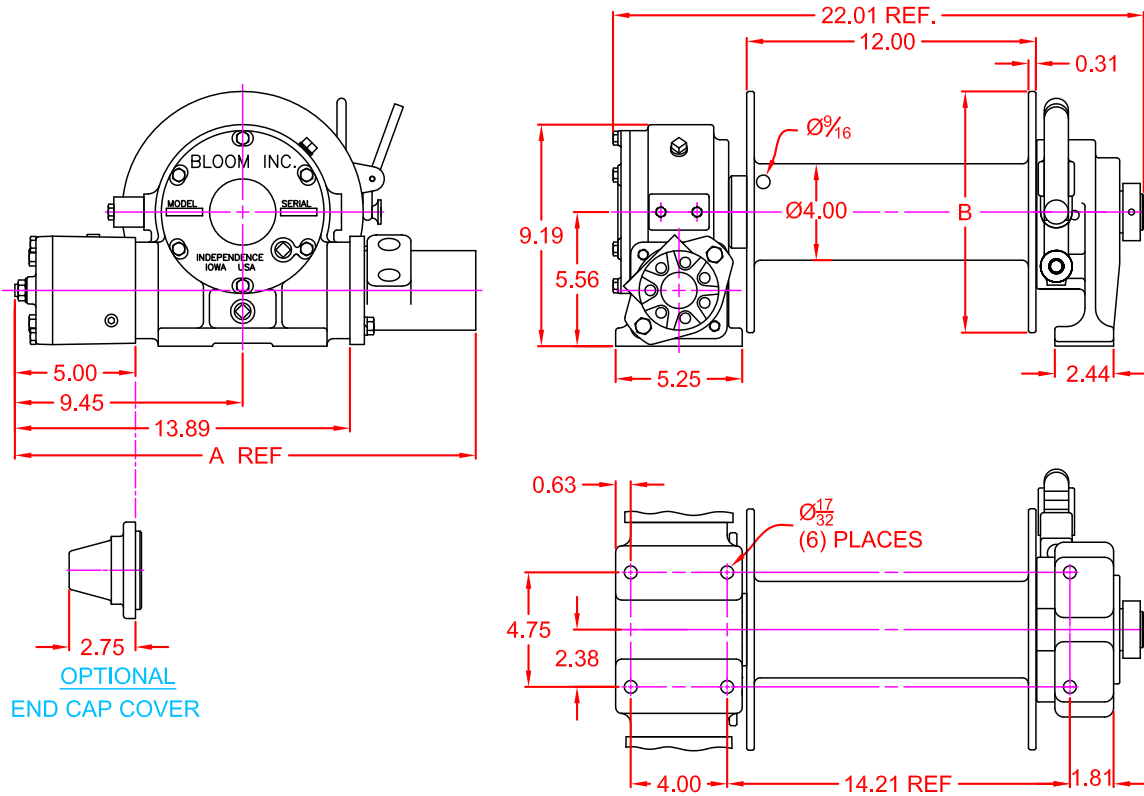


# BLOOM™ WINCH

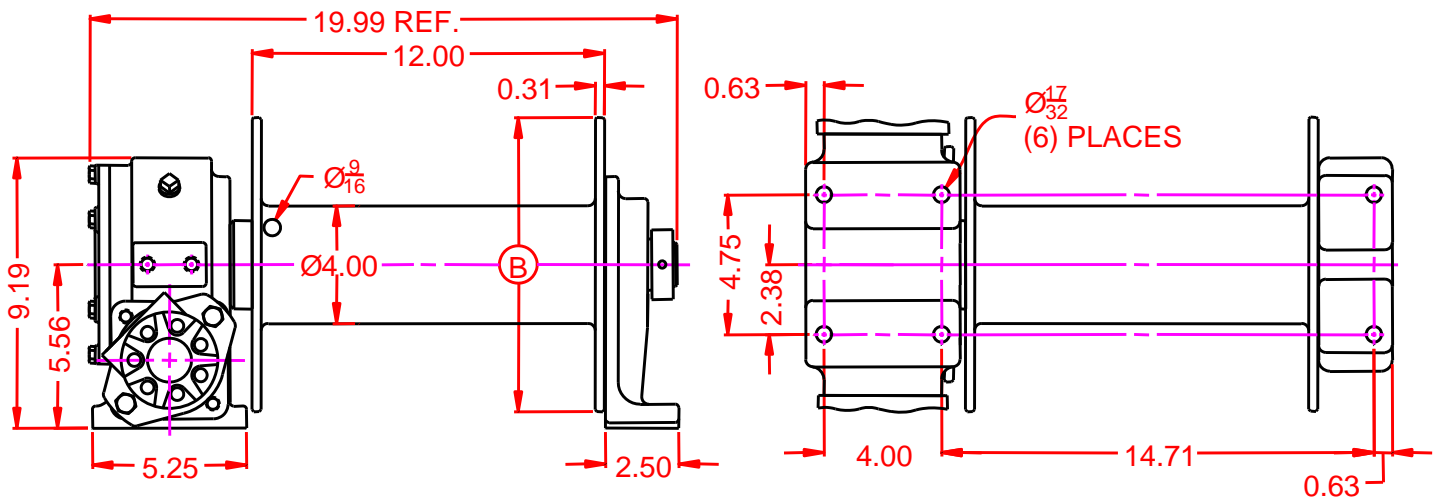
## Dimensional Drawings

“Quality Since  
1910”

Series 1200 & Series 1200C With XL10, XL12 and XL14 Drum  
Base Mount Model – Clutch and Direct Drive



### SERIES 1200C BASE MOUNT, CLUTCH DRIVE



### SERIES 1200 BASE MOUNT, DIRECT DRIVE

MOTOR DESIGNATION	A	B	C	DD	E	G	4.9	6.2	8.0	9.6	11.9
(A) DIMENSION	19.11	19.26	19.38	19.51	19.73	19.86	21.15	21.33	21.58	21.58	21.85

DRUM DESIGNATION	XL10	XL12	XL14
(B) DIMENSION	10	12	14

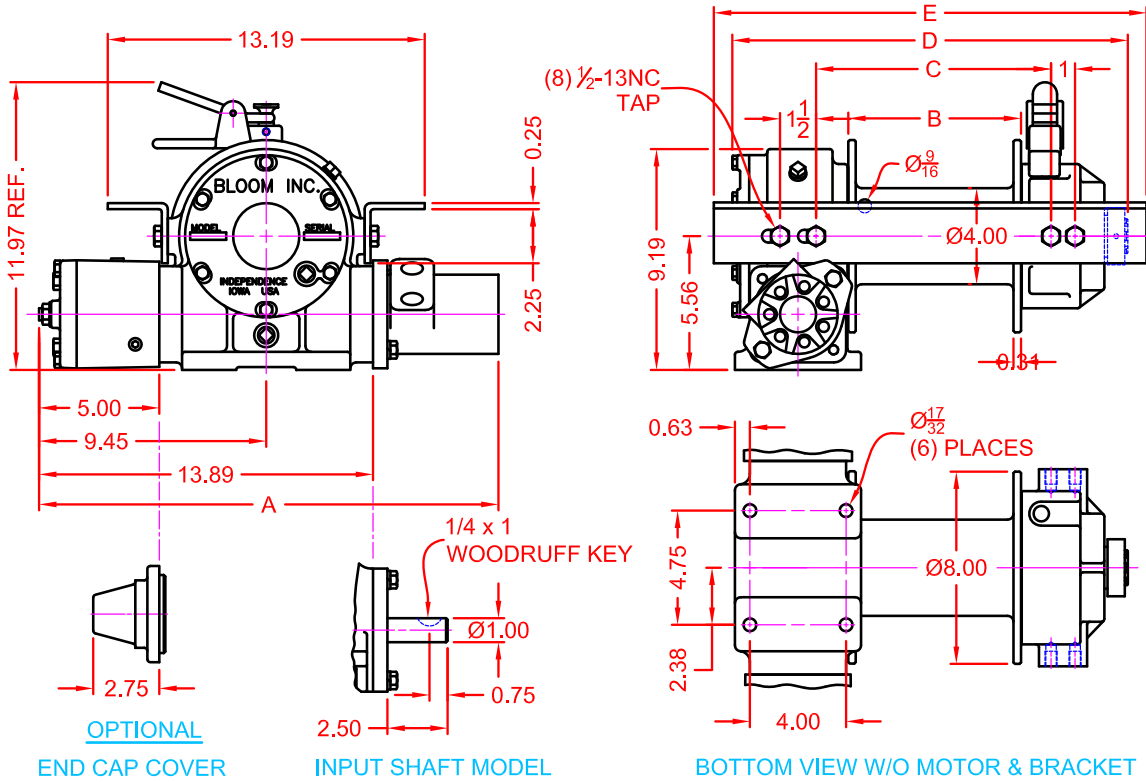


“Quality Since  
1910”

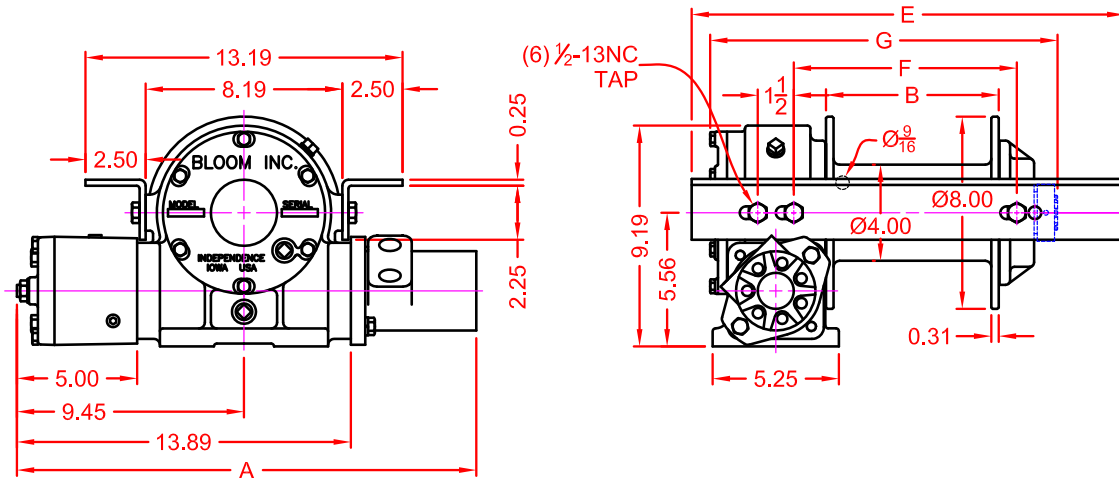
# BLOOM™ WINCH

## Dimensional Drawings

Series 1200 & Series 1200 With S8 and L8 Drum  
Low Profile Model - Clutch and Direct Drive



### SERIES 1200C LOW PROFILE MOUNT, CLUTCH DRIVE



### SERIES 1200 LOW PROFILE MOUNT, DIRECT DRIVE

MOTOR DESIGNATION	A	B	C	DD	E	G	4.9	6.2	8.0	9.6	11.9
Ⓐ DIMENSION	19.11	19.26	19.38	19.51	19.73	19.86	21.15	21.33	21.58	21.58	21.85

DRUM DESIGNATION	WINCH DIMENSION					
	Ⓑ	Ⓒ	Ⓓ	Ⓔ	Ⓕ	Ⓖ
S8	7.19	9.75	16.44	18.00	9.28	14.46
L8	10.19	12.75	19.44	21.00	12.28	17.46

# **BLOOM™ WINCH**

## **1200 SERIES MODEL SELECTION**

### **A MOTOR**

12B-A-S8  
12B-A-L8  
12B-A-XL10  
12B-A-XL12  
12B-A-XL14

### **B MOTOR**

12B-B-S8  
12B-B-L8  
12B-B-XL10  
12B-B-XL12  
12B-B-XL14

### **C MOTOR**

12B-C-S8  
12B-C-L8  
12B-C-XL10  
12B-C-XL12  
12B-C-XL14

### **DD MOTOR**

12B-DD-S8  
12B-DD-L8  
12B-DD-XL10  
12B-DD-XL12  
12B-DD-XL14

### **E MOTOR**

12B-E-S8  
12B-E-L8  
12B-E-XL10  
12B-E-XL12  
12B-E-XL14

### **G MOTOR**

12B-G-S8  
12B-G-L8  
12B-G-XL10  
12B-G-XL12  
12B-G-XL14

### **4.9 MOTOR**

12B-4.9-S8  
12B-4.9-L8  
12B-4.9-XL10  
12B-4.9-XL12  
12B-4.9-XL14

### **6.2 MOTOR**

12B-6.2-S8  
12B-6.2-L8  
12B-6.2-XL10  
12B-6.2-XL12  
12B-6.2-XL14

### **8.0 MOTOR**

12B-8.0-S8  
12B-8.0-L8  
12B-8.0-XL10  
12B-8.0-XL12  
12B-8.0-XL14

### **9.6 MOTOR**

12B-9.6-S8  
12B-9.6-L8  
12B-9.6-XL10  
12B-9.6-XL12  
12B-9.6-XL14

### **11.9 MOTOR**

12B-11.9-S8  
12B-11.9-L8  
12B-11.9-XL10  
12B-11.9-XL12  
12B-11.9-XL14

### **INPUT SHAFT MODEL**

12B-IS-S8  
12B-IS-L8  
12B-IS-XL10  
12B-IS-XL12  
12B-IS-XL14

# **BLOOM™ WINCH**

## **1200C SERIES MODEL SELECTION**

### **A MOTOR**

12B-A-S8C  
12B-A-L8C  
12B-A-XL10C  
12B-A-XL12C  
12B-A-XL14C

### **B MOTOR**

12B-B-S8C  
12B-B-L8C  
12B-B-XL10C  
12B-B-XL12C  
12B-B-XL14C

### **C MOTOR**

12B-C-S8C  
12B-C-L8C  
12B-C-XL10C  
12B-C-XL12C  
12B-C-XL14C

### **DD MOTOR**

12B-DD-S8C  
12B-DD-L8C  
12B-DD-XL10C  
12B-DD-XL12C  
12B-DD-XL14C

### **E MOTOR**

12B-E-S8C  
12B-E-L8C  
12B-E-XL10C  
12B-E-XL12C  
12B-E-XL14C

### **G MOTOR**

12B-G-S8C  
12B-G-L8C  
12B-G-XL10C  
12B-G-XL12C  
12B-G-XL14C

### **4.9 MOTOR**

12B-4.9-S8C  
12B-4.9-L8C  
12B-4.9-XL10C  
12B-4.9-XL12C  
12B-4.9-XL14C

### **6.2 MOTOR**

12B-6.2-S8C  
12B-6.2-L8C  
12B-6.2-XL10C  
12B-6.2-XL12C  
12B-6.2-XL14C

### **8.0 MOTOR**

12B-8.0-S8C  
12B-8.0-L8C  
12B-8.0-XL10C  
12B-8.0-XL12C  
12B-8.0-XL14C

### **9.6 MOTOR**

12B-9.6-S8C  
12B-9.6-L8C  
12B-9.6-XL10C  
12B-9.6-XL12C  
12B-9.6-XL14C

### **11.9 MOTOR**

12B-11.9-S8C  
12B-11.9-L8C  
12B-11.9-XL10C  
12B-11.9-XL12C  
12B-11.9-XL14C

### **INPUT SHAFT MODEL**

12B-IS-S8C  
12B-IS-L8C  
12B-IS-XL10C  
12B-IS-XL12C  
12B-IS-XL14C



# BLOOM™ WINCH

## Correct choice of Directional Control Valves for Bloom Winches

**Tandem Center Spool Valve** – Work Ports are **blocked** in neutral position

Use on all winches that use motor only to hold load.

\*Winches require ridged mounting plate.  
See owner's manual for information about proper mounting plate thickness or call Bloom Sales Engineer at factory

### **WARNING!**

Goods are not intended for use in the moving or lifting of persons!

The winches described herein are neither designed nor intended for use or application to equipment used in the lifting or moving of persons and it is understood that all such use shall be at the sole risk of the user.

The cable clamps on winches are not designed to hold rated loads. A minimum of 5 wraps of cable must be left on drum barrel to guarantee holding of rated load.

Applications of winch where life would be endangered by any event are not recommended.



## **BLOOM Manufacturing Inc.** **Winch Division**

1443 220<sup>th</sup> Street,, Independence, Iowa 50644

FAX 319-827-1140 PHONE 319-827-1139

[www.bloommfg.com](http://www.bloommfg.com)

©Copyright 2015 Bloom Mfg. Inc.