

BLOOM™ WINCH



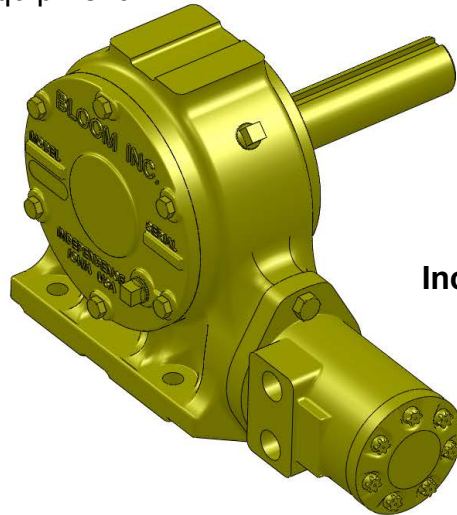
Series 800

*"Quality Since
1910"*

Hydraulic Speed Reducer

The rugged construction and versatility of the **Series 800 Speed Reducer** is ideal for stationary and mobile applications where slow speed, high torque, or variable speed and reversing are needed. Applications include paving and curb forming, ditching, irrigation, and plastic and extruding equipment.

Series 800



**Up To 16,000
Inch Pounds of Output Torque**

Bloom™ Hydraulic Speed Reducers – Standard Features

- | | |
|---------------------|---|
| GEAR CASE | - Made of high strength cast iron. Completely sealed for oil enclosed operation and to keep dirt out. |
| WORM SHAFT | - One piece alloy steel hardened and ground to insure long service. The hydraulic motor couples direct to the shaft. |
| WORM GEAR | - High tensile aluminum-nickel alloy bronze . Optimum lead and pressure angles transmit maximum power to the drum. |
| GEAR RATIO | - 20:1 standard, optional 10:1 ratios provide optimum efficiency in power and speed. |
| BEARINGS | - Worm gear and worm shaft run on tapered roller bearings in an oil enclosed gear case. |
| OUTPUT SHAFT | - 1-1/4" diameter heat -treated alloy steel minimum tensile strength 150,000 psi. |
| MOTOR MOUNT | - SAE (A) 2 bolt flange. 1" woodruff keyed motor shaft. Motor is directly coupled into worm shaft. No separate coupling required. |



BLOOM

Manufacturing Inc.

Winch Division

*Lifting
Pulling
Hoisting*

Toll Free Number: 1-800-394-1139

www.bloommfg.com

"Custom Engineered Solutions"

1443 220th Street,, Independence, Iowa 50644 • FAX: 319-827-1140 • PHONE: 319-827-1139

BLOOM™ WINCH



Series 800

Model Selection from Performance Data

*"Quality Since
1910"*

MODEL EXAMPLE: 8-E-SR-RH-20

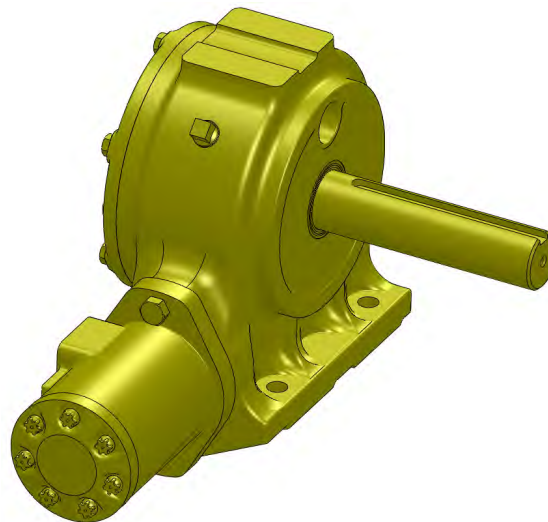
**Gear Case and
Shaft Designation**
8 = Series 800 with 1-1/4" Output Shaft only

Hydraulic Motor Designation
A, B, C, DD
IS - Input Shaft

Speed Reducer

Gear Ratios
10:1, 20:1

Shaft Position
RH - Right Hand (Standard)
LH - Left Hand



BLOOM™ WINCH

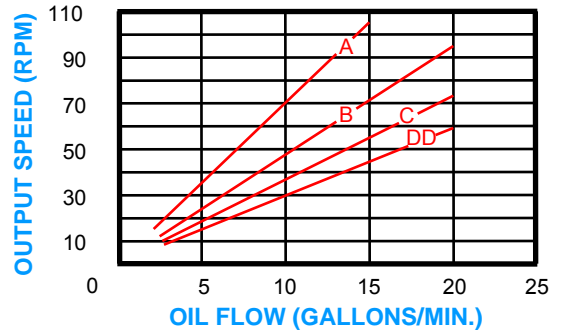
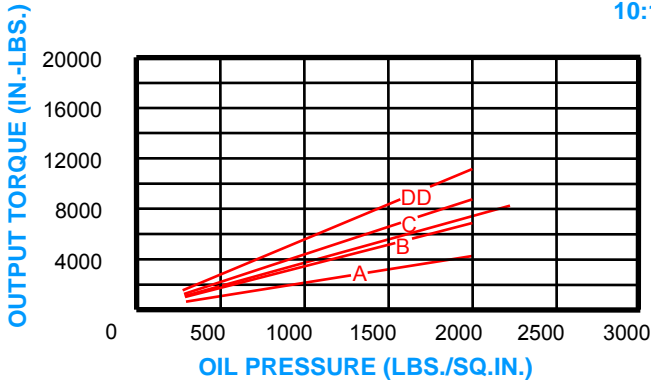


Series 800

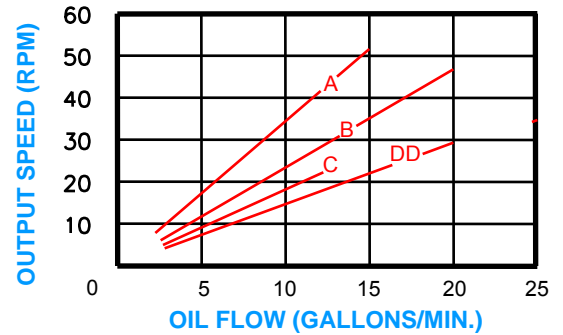
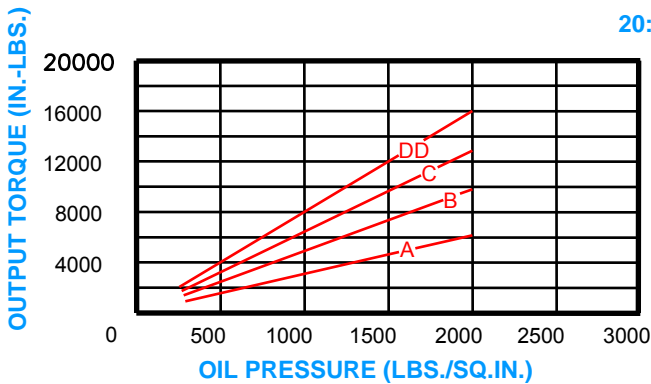
"Quality Since 1910"

Bloom Hydraulic Speed Reducers Model Selection from Performance Data

10:1 RATIO (optional)



20:1 RATIO (standard)



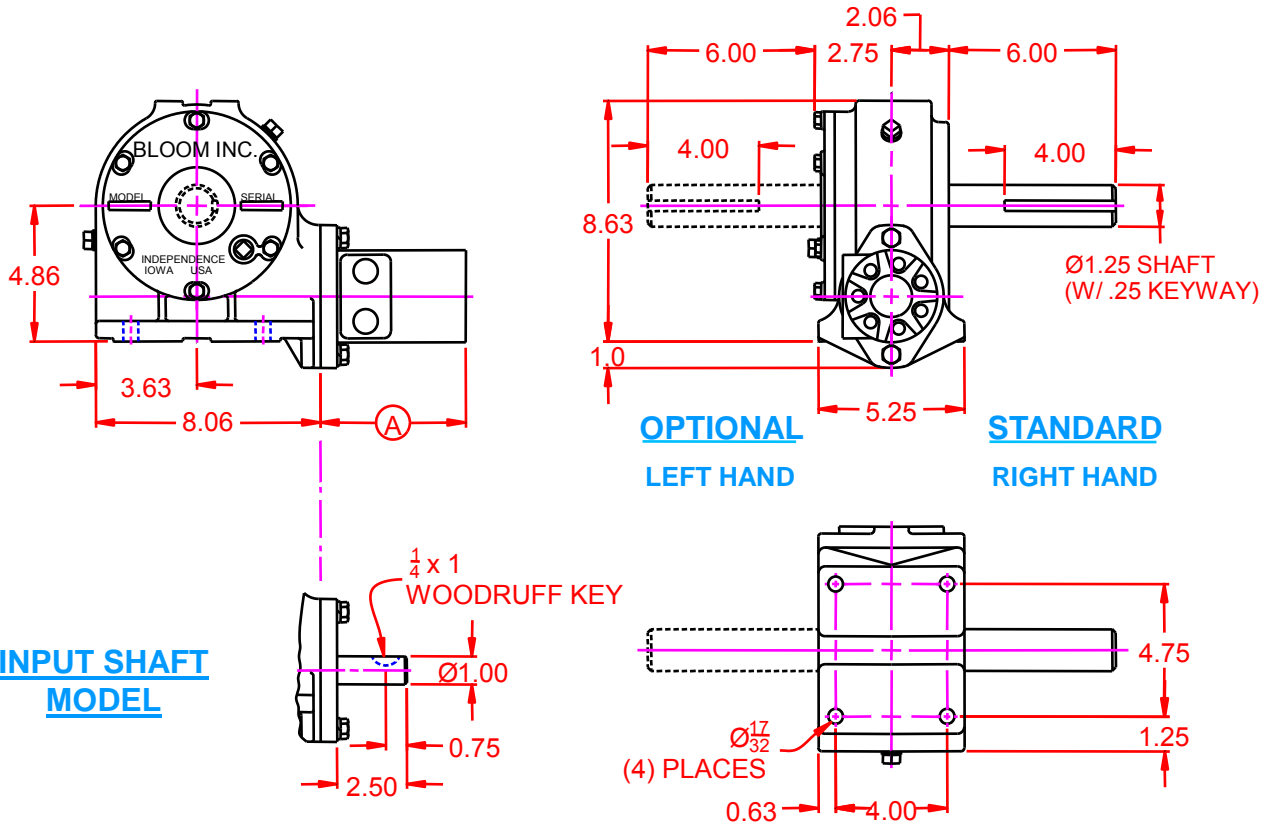
BLOOM™ WINCH



Dimensional Drawings

800 Series Speed Reducer

"Quality Since 1910"



MOTOR DESIGNATION	A	B	C	DD
(A) DIMENSION	5.22	5.37	5.49	5.62

OVERHUNG LOAD ON OUTPUT SHAFT AT 100 RPM (LB.)	Ø1.25 SHAFT
1" FROM FACE OF GEARCASE	700
2" FROM FACE OF GEARCASE	530
3" FROM FACE OF GEARCASE	420

BLOOM™ WINCH

800 SERIES MODEL SELECTION

A MOTOR

8-A-SR

B MOTOR

8-B-SR

C MOTOR

8-C-SR

DD MOTOR

8-DD-SR

BLOOM™ WINCH

Correct choice of Directional Control Valves for Bloom Winches

Tandem Center Spool Valve – Work Ports are **blocked** in neutral position

Use on all winches that use motor only to hold load.

*Winches require ridged mounting plate.
See owner's manual for information about proper mounting plate thickness or call Bloom Sales Engineer at factory.

WARNING!

Goods are not intended for use in the moving or lifting of persons!

The winches described herein are neither designed nor intended for use or application to equipment used in the lifting or moving of persons and it is understood that all such use shall be at the sole risk of the user.

The cable clamps on winches are not designed to hold rated loads. A minimum of 5 wraps of cable must be left on drum barrel to guarantee holding of rated load.

Applications of winch where life would be endangered by any event are not recommended.



BLOOM Manufacturing Inc. **Winch Division**

1443 220th Street,, Independence, Iowa 50644

FAX 319-827-1140 PHONE 319-827-1139

www.bloommfg.com

© Copyright 2015 Bloom Mfg. Inc.