

# BLOOM™ WINCH

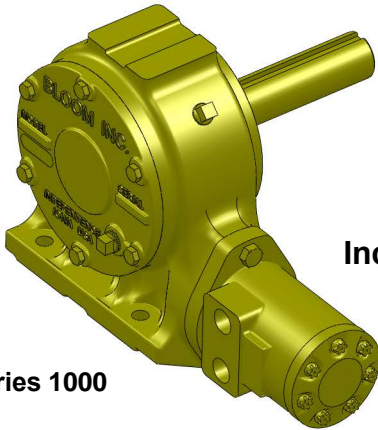


## Series 1000 & Series 1100

### *Hydraulic Speed Reducer*

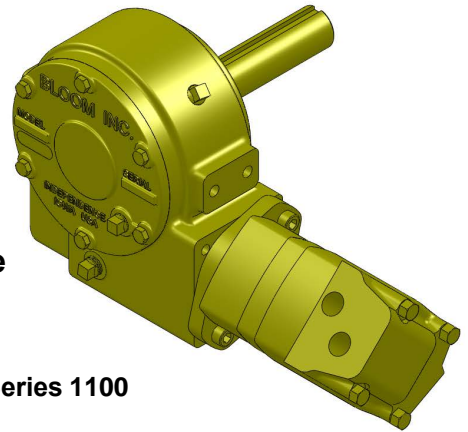
*"Quality Since  
1910"*

The rugged construction and versatility of the **Series 1000 and Series 1100 Speed Reducer** is ideal for stationary and mobile applications where slow speed, high torque, or variable speed and reversing are needed. Applications include paving and curb forming, ditching, irrigation, and plastic and extruding equipment.



Series 1000

**Up To 24,000  
Inch Pounds of Output Torque**



Series 1100

## Bloom™ Hydraulic Speed Reducers – Standard Features

- |                     |   |
|---------------------|---|
| <b>GEAR CASE</b>    | - Made of high strength cast iron. Completely sealed for oil enclosed operation and to keep dirt out.                             |
| <b>WORM SHAFT</b>   | - One piece alloy steel hardened and ground to insure long service. The hydraulic motor couples direct to the shaft.              |
| <b>WORM GEAR</b>    | - High tensile aluminum-nickel alloy bronze . Optimum lead and pressure angles transmit maximum power to the drum.                |
| <b>GEAR RATIO</b>   | - 20:1 standard, optional 10:1, 27:1 and 40:1 ratios provide optimum efficiency in power and speed.                               |
| <b>BEARINGS</b>     | - Worm gear and worm shaft run on tapered roller bearings in an oil enclosed gear case.   |
| <b>OUTPUT SHAFT</b> | - 1-1/2" diameter heat -treated alloy steel minimum tensile strength 150,000 psi.   |
| <b>MOTOR MOUNT</b>  | - SAE (A) 2 bolt flange. 1" woodruff keyed motor shaft. Motor is directly coupled into worm shaft. No separate coupling required. |



# BLOOM

Manufacturing Inc.

Winch Division

*Lifting  
Pulling  
Hoisting*

Toll Free Number: 1-800-394-1139

[www.bloommfg.com](http://www.bloommfg.com)

**"Custom Engineered Solutions"**

1443 220<sup>th</sup> Street,, Independence, Iowa 50644 • FAX: 319-827-1140 • PHONE: 319-827-1139

# BLOOM™ WINCH



## Series 1000 and Series 1100 Model Selection from Performance Data

*"Quality Since  
1910"*

### MODEL EXAMPLE: 10-E-SR-RH-20

Gear Case and  
Shaft Designation

10 = Series 1000 with 1-1/2" Output Shaft  
11 = Series 1100 with 1-1/2" Output Shaft

Gear Ratios

10:1, 20:1, 27:1, 40:1

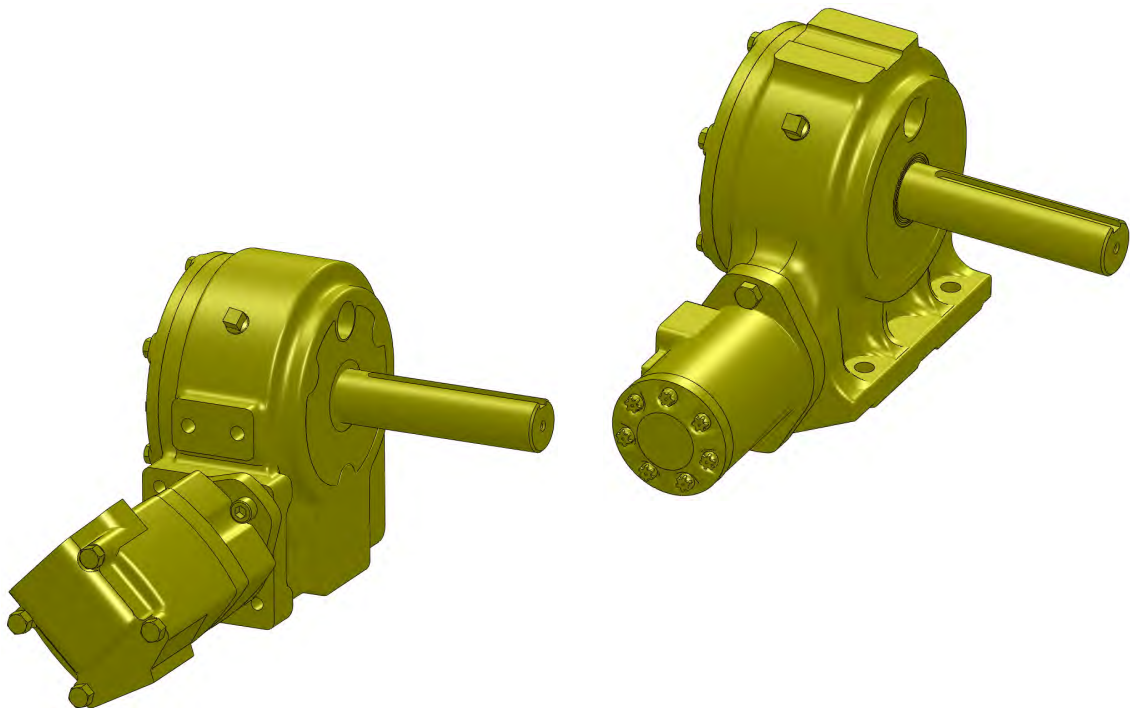
Hydraulic Motor Designation

A, B, C, DD, E, G, 4.9, 6.2, 8.0, 9.6, 11.9  
IS - Input Shaft

Shaft Position

RH - Right Hand (Standard)  
LH - Left Hand

Speed Reducer





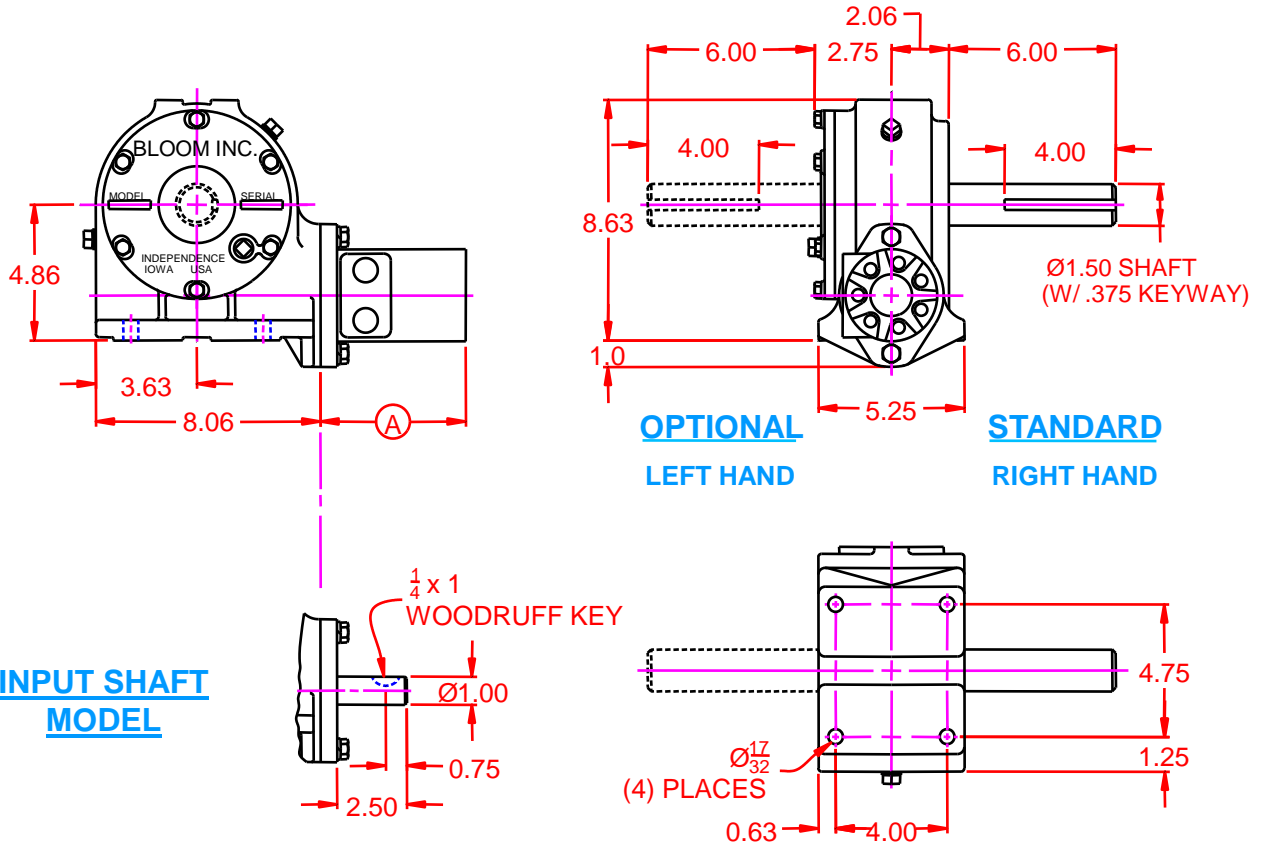
# BLOOM™ WINCH



## Dimensional Drawings

Series 1000 Speed Reducer

"Quality Since 1910"



MOTOR DESIGNATION	A	B	C	DD	E	G
Ⓐ DIMENSION	5.22	5.37	5.49	5.62	5.84	5.97

OVERHUNG LOAD ON OUTPUT SHAFT AT 100 RPM ( LB.)	Ø1.50 SHAFT
1" FROM FACE OF GEARCASE	750
2" FROM FACE OF GEARCASE	600
3" FROM FACE OF GEARCASE	500

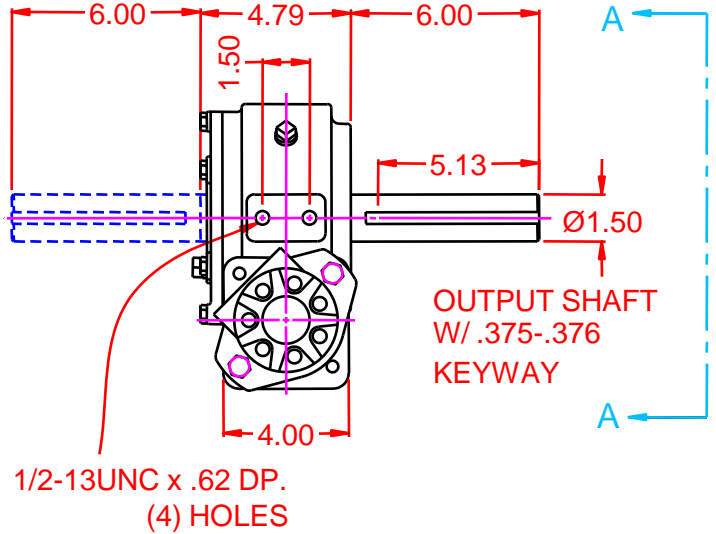
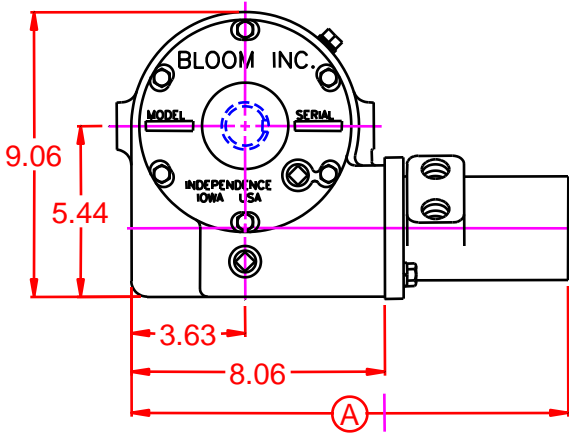
# BLOOM™ WINCH



## Dimensional Drawings

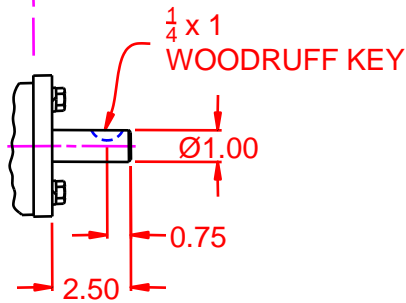
Series 1100 Speed Reducer

"Quality Since 1910"



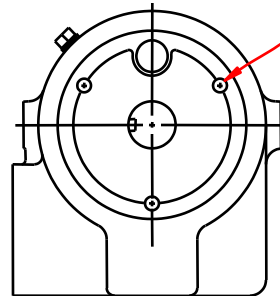
OPTIONAL  
LEFT HAND

STANDARD  
RIGHT HAND



INPUT SHAFT MODEL

OPTIONAL  
Ø1/2-13 UNC x .75 DEEP  
3 HOLES ON Ø5.00 B.C.  
EQUALLY SPACED APART  
MOUNTING HOLES AND FACED



VIEW 'A-A'

MOTOR DESIGNATION	A	B	C	DD	E	G	4.9	6.2	8.0	9.6	11.9
(A) DIMENSION	13.28	13.43	13.55	13.68	13.90	14.03	15.32	15.50	15.75	15.75	16.02

# **BLOOM™ WINCH**

## **1000 and 1100 SERIES MODEL SELECTION**

### **1000 SERIES**

#### **A MOTOR**

10-A-SR

#### **B MOTOR**

10-B-SR

#### **C MOTOR**

10-C-SR

#### **DD MOTOR**

10-DD-SR

#### **E MOTOR**

10-E-SR

#### **G MOTOR**

10-G-SR

#### **4.9 MOTOR**

10-4.9-SR

#### **6.2 MOTOR**

10-6.2-SR

#### **8.0 MOTOR**

10-8.0-SR

#### **9.6 MOTOR**

10-9.6-SR

#### **11.9 MOTOR**

10-11.9-SR

#### **INPUT SHAFT MODEL**

10-IS-SR

### **1100 SERIES**

#### **A MOTOR**

11-A-SR

#### **B MOTOR**

11-B-SR

#### **C MOTOR**

11-C-SR

#### **DD MOTOR**

11-DD-SR

#### **E MOTOR**

11-E-SR

#### **G MOTOR**

11-G-SR

#### **4.9 MOTOR**

11-4.9-SR

#### **6.2 MOTOR**

11-6.2-SR

#### **8.0 MOTOR**

11-8.0-SR

#### **9.6 MOTOR**

11-9.6-SR

#### **11.9 MOTOR**

11-11.9-SR

#### **INPUT SHAFT MODEL**

11-IS-SR

# **BLOOM™ WINCH**

## Correct choice of Directional Control Valves for Bloom Winches

**Tandem Center Spool Valve** – Work Ports are **blocked** in neutral position

Use on all winches that use motor only to hold load.

\*Winches require ridged mounting plate.  
See owner's manual for information about proper mounting plate thickness or call Bloom Sales Engineer at factory.

### **WARNING!**

Goods are not intended for use in the moving or lifting of persons!

The winches described herein are neither designed nor intended for use or application to equipment used in the lifting or moving of persons and it is understood that all such use shall be at the sole risk of the user.

The cable clamps on winches are not designed to hold rated loads. A minimum of 5 wraps of cable must be left on drum barrel to guarantee holding of rated load.

Applications of winch where life would be endangered by any event are not recommended.



## **BLOOM Manufacturing Inc.** **Winch Division**

1443 220<sup>th</sup> Street,, Independence, Iowa 50644

FAX 319-827-1140 PHONE 319-827-1139

[www.bloommfg.com](http://www.bloommfg.com)

©Copyright 2015 Bloom Mfg. Inc.