

BLOOM™ WINCH

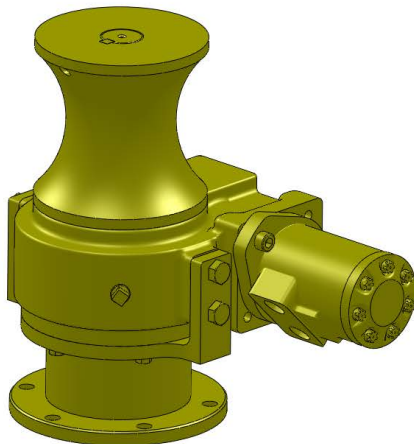
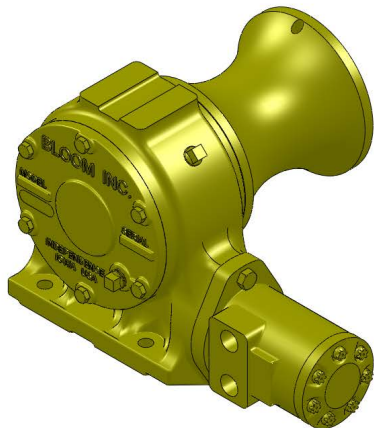


"Quality Since
1910"

Series 1000 & Series 1100V HYDRAULIC CAPSTAN WINCHES

Series 1100V Capstan

Series 1000 Capstan



**UP TO 3000 POUNDS
CAPACITY**

***Bloom Winches,
A Pull Above the
Rest***

Bloom™ Hydraulic Capstan Winches – Standard Features

- GEAR CASE** - Made of high strength cast iron. Completely sealed for oil enclosed operation and to keep dirt out.
- WORM SHAFT** - One piece alloy steel hardened and ground to insure long service.
- WORM GEAR** - High tensile aluminum-nickel alloy bronze. Use of optimum lead and pressure angles transmit maximum power to the drum efficiently.
- GEAR RATIO** - 20:1 and 10:1 ratios provide optimum efficiency in power and speed.
- BEARINGS** - Worm gear and worm shaft run on tapered roller bearings in an oil enclosed gear case.
- OUTPUT SHAFT** - 1.50" diameter heat -treated alloy steel minimum tensile strength 150,000 psi.
- CAPSTAN** - Cast aluminum - keyed to shaft.
- MOTOR MOUNT** - SAE(A) 2-bolt flange. 1" woodruff keyed motor shaft. Motor is directly coupled into worm shaft. No separate coupling required.



BLOOM

Manufacturing Inc.

Winch Division

"Custom Engineered Solutions"

**Lifting
Pulling
Hoisting**

Toll Free Number: 1-800-394-1139

www.bloommfg.com

1443 220th Street,, Independence, Iowa 50644 • FAX: 319-827-1140 • PHONE: 319-827-1139

BLOOM™ WINCH



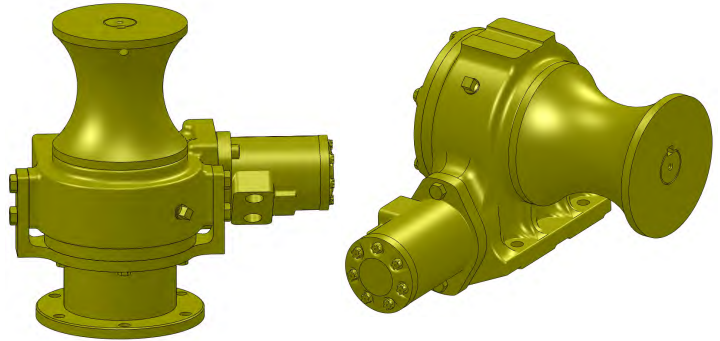
Series 1000 and Series 1100V

HYDRAULIC CAPSTAN WINCHES

“Quality Since
1910”

Industry Applications

Utility - The Series 1000 and Series 1100V are specifically designed to handle the daily needs of the utility industry



Fishing & Marine – Both the Series 1000 and Series 1100V provide optimum performance in marine applications and environments. The Series 1000 is commonly used as pot and net haulers, and the Series 1100V for dock and barge applications

Four Models Available

MODEL 10-A-SR-CAP-10

10:1 RATIO. Pulls 1500 pounds at 110 feet per minute.

MODEL 11V-A-SR-CAP-10

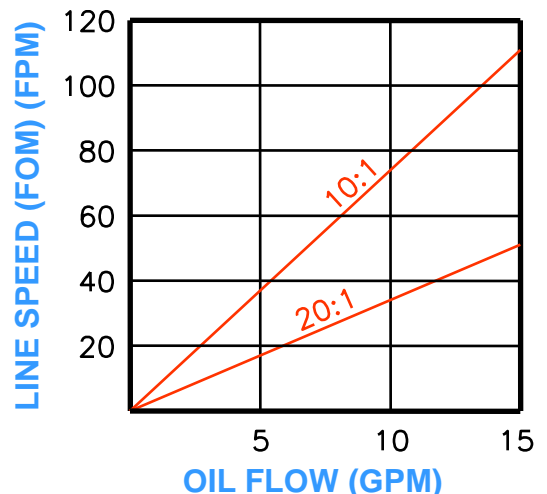
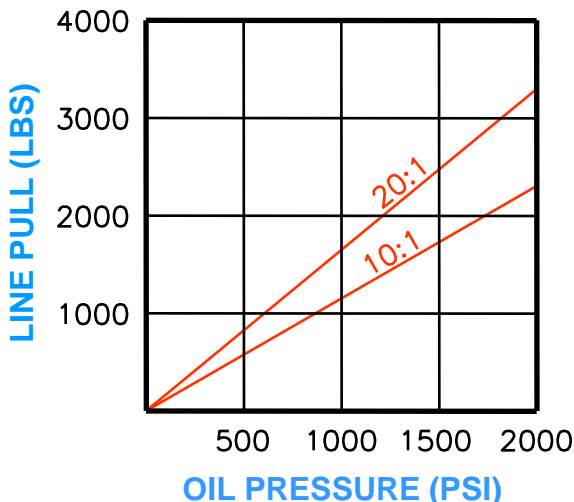
10:1 RATIO. Pulls 1500 pounds at 110 feet per minute.

MODEL 10-A-SR-CAP-20

20:1 ratio. Pulls 3000 pounds at 55 feet per minute.

MODEL 11V-A-SR-CAP-20

20:1 ratio. Pulls 3000 pounds at 55 feet per minute.





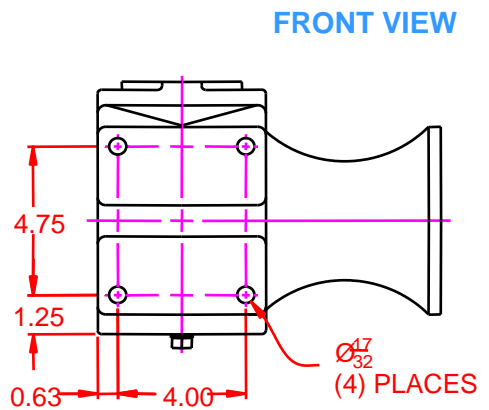
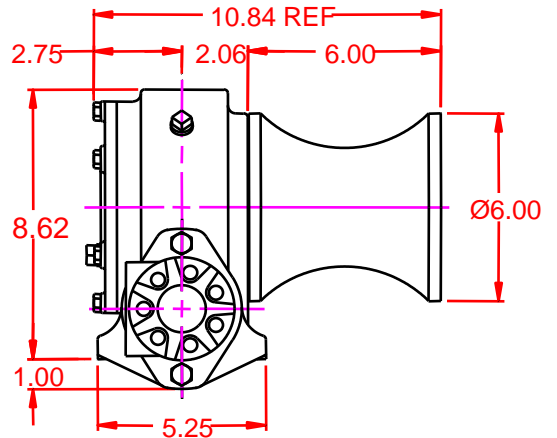
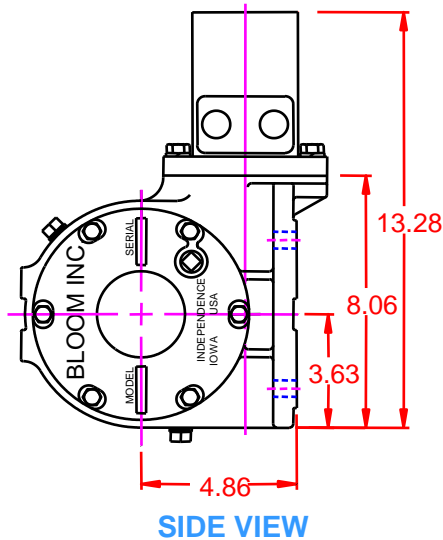
BLOOM™

WINCH

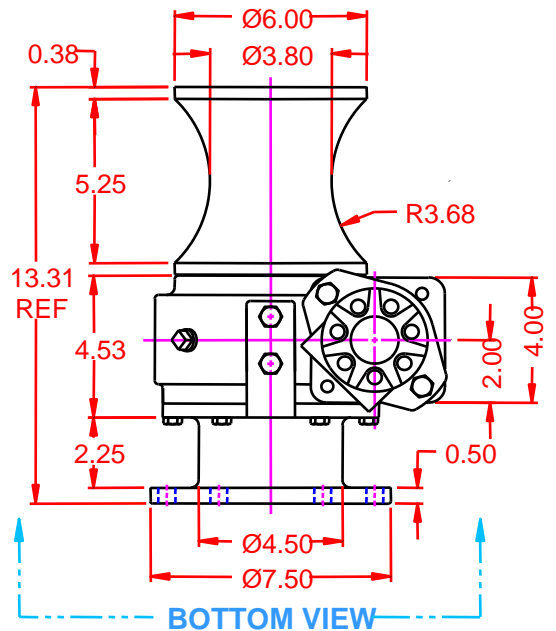
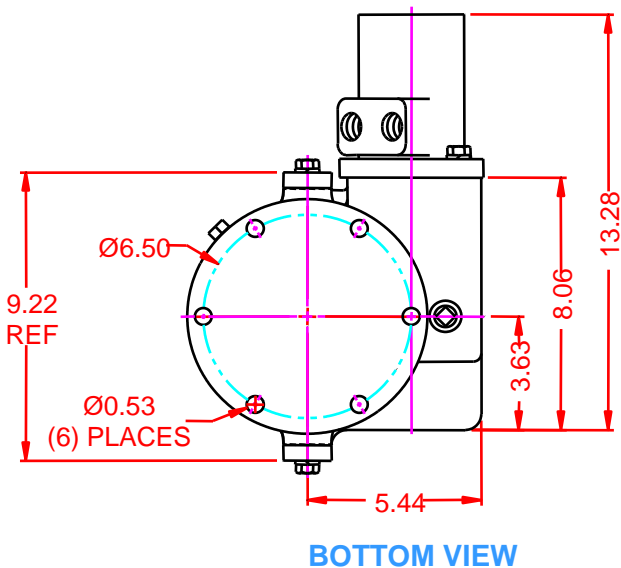
“Quality Since
1910”

Dimensional Drawings

Series 1000 Capstan



Series 1100V Capstan



BLOOM™ WINCH

1000 and 1100 SERIES MODEL SELECTION

1000 SERIES

A MOTOR

10-A-SR-CAP-20
10-A-SR-CAP-10
10-A-SR-CAP-20-GALV
10-A-SR-CAP-10-GALV

1100 SERIES

A MOTOR

11V-A-SR-CAP-20
11V-A-SR-CAP-10
11V-A-SR-CAP-20-GALV
11V-A-SR-CAP-10-GALV

BLOOM™ WINCH

Correct choice of Directional Control Valves for Bloom Winches

Tandem Center Spool Valve – Work Ports are **blocked** in neutral position

Use on all winches that use motor only to hold load.

*Winches require ridged mounting plate.
See owner's manual for information about proper mounting plate thickness or call Bloom Sales Engineer at factory

WARNING!

Goods are not intended for use in the moving or lifting of persons!

The winches described herein are neither designed nor intended for use or application to equipment used in the lifting or moving of persons and it is understood that all such use shall be at the sole risk of the user.

The cable clamps on winches are not designed to hold rated loads. A minimum of 5 wraps of cable must be left on drum barrel to guarantee holding of rated load.

Applications of winch where life would be endangered by any event are not recommended.



BLOOM Manufacturing Inc. **Winch Division**

1443 220th Street,, Independence, Iowa 50644

FAX 319-827-1140 PHONE 319-827-1139

www.bloommfg.com

©Copyright 2015 Bloom Mfg. Inc.