

# BLOOM™ WINCH

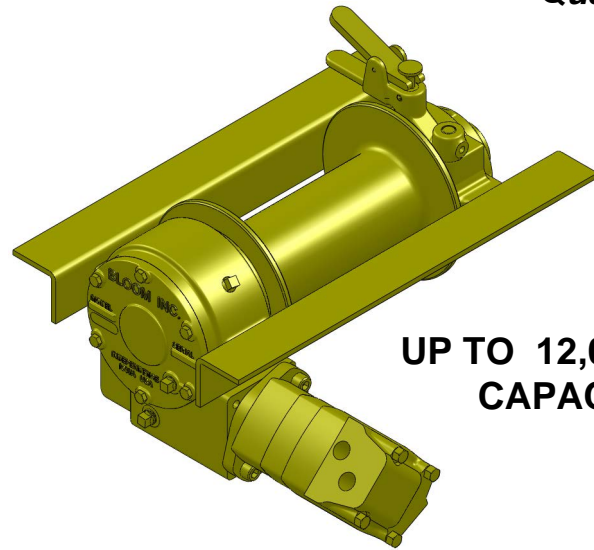


"Quality Since  
1910"

## Series 1100C

### HYDRAULIC CABLE WINCHES

The rugged construction and versatility of **Series 1100C** makes it adaptable to a wide range of applications. **Series 1100C** winches are equipped with a sliding clutch to allow free-spooling of the drum for industrial pulling applications including rear of cab and front mounting on ½ to 1½ ton trucks, flat bed trailers, factory material handling, mining, and logging operations, air freight pullers, off the road tractors and marine craft.



**UP TO 12,000 LBS.  
CAPACITY**

## Bloom™ Hydraulic Cable Winches – Standard Features

- |                   |  |
|-------------------|--|
| <b>GEAR CASE</b>  | - Special low profile design. Made of high strength cast iron. Completely sealed for oil enclosed operation and to keep dirt out.                  |
| <b>WORM SHAFT</b> | - One piece alloy steel hardened and ground for extra durability.  |
| <b>WORM GEAR</b>  | - High tensile aluminum-nickel alloy bronze. Optimum lead and pressure angles transmit maximum power to the drum.                                  |
| <b>GEAR RATIO</b> | - 20:1 standard, 10:1, 27:1, and 40:1 optional ratios provide optimum efficiency in power and speed.   |
| <b>BEARINGS</b>   | - Worm gear and worm shaft run on tapered roller bearings. Outer end housing has a sealed ball bearing.  |
| <b>DRUM SHAFT</b> | - 1-1/2" diameter heat -treated alloy steel minimum tensile strength 150,000 psi.  |
| <b>CABLE DRUM</b> | - Tough all steel construction resists breakage or warping.  |
| <b>CLUTCH</b>     | - Series 1100C winches comes equipped with heat-treated dog type clutch to provide free-spooling of the winch drum. Positive lock-in and lock-out. |

#### **CAUTION:**

This winch model does not include any kind of holding brake. If your application requires a holding brake choose series 1100HC winches with hydraulic fail-safe brakes.



[www.bloommfg.com](http://www.bloommfg.com)

# BLOOM

Manufacturing Inc.

Winch Division

**"Custom Engineered Solutions"**

**Lifting  
Pulling  
Hoisting**

Toll Free Number: 1-800-394-1139

1443 220<sup>th</sup> Street., Independence, Iowa 50644 • FAX: 319-827-1140 • PHONE: 319-827-1139

# BLOOM™ WINCH



## Series 1100C Model Selection from Performance Data

"Quality Since  
1910"

MODEL EXAMPLE: 11-E-L8-C-20

Gear Case and  
Shaft Designation

11 = Series 1100C with 1-1/2" Drum Shaft

Hydraulic Motor Designation

A, B, C, DD, E, G, 4.9, 6.2, 8.0, 9.6, 11.9

IS Input Shaft

Drum Sizes

S8, L8, XL10

Gear Ratio

10:1, 20:1, 27:1, 40:1

Clutch

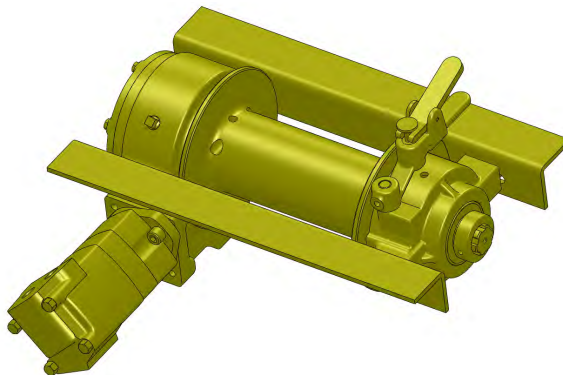
Designation

### DRUM CAPACITY

CABLE DIAMETER (IN.)	1/4	5/16	3/8	7/16	1/2
DRUM "S8" CAPACITY (FT.)	260	160	105	75	55
DRUM "L8" CAPACITY (FT.)	390	240	160	110	80
DRUM "XL10" CAPACITY (FT.)	840	550	340	250	170

#### Special Note.

Series 1100C winches are available only in low profile mounting - the "LP" designation is not required. However, it is necessary on all low profile winches to specify whether the winch is to be supplied "with angles" or "less angles".



# BLOOM™ WINCH

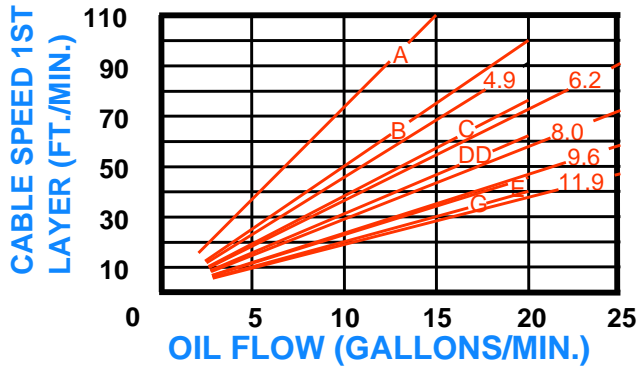
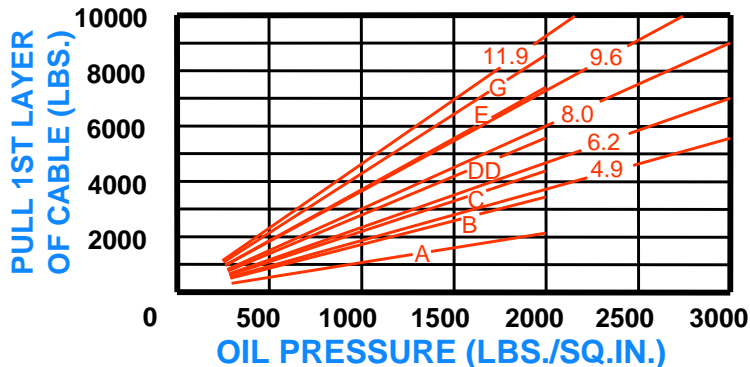


## Series 1100C

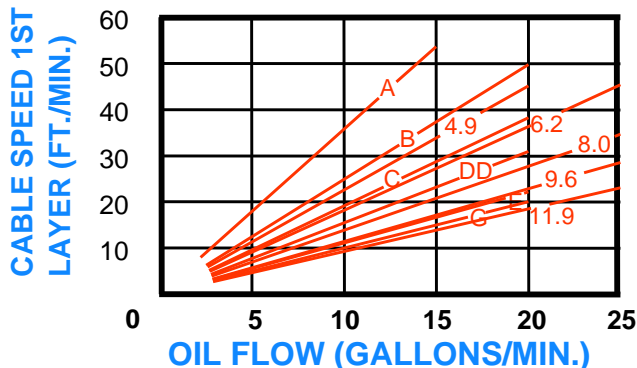
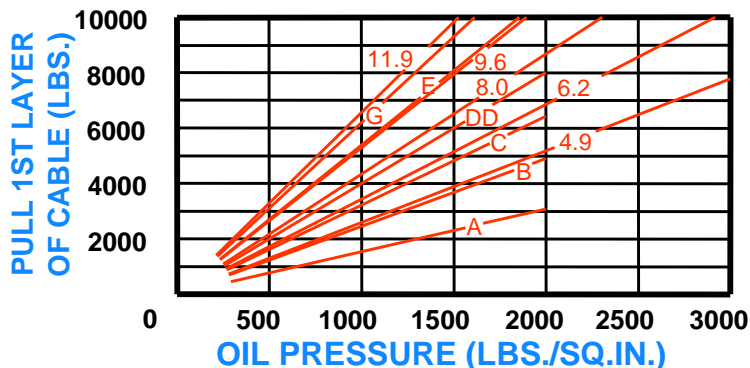
### Bloom Hydraulic Cable Winches Model Selection from Performance Data

"Quality Since  
1910"

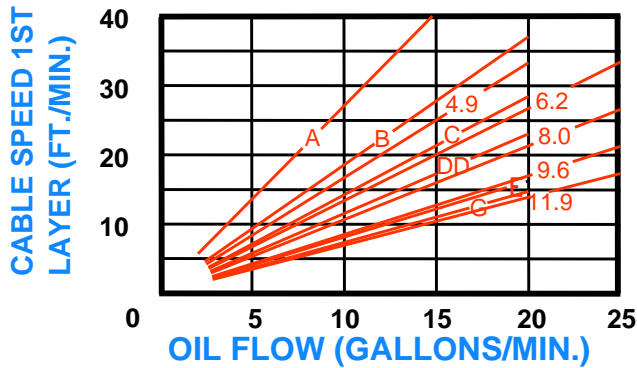
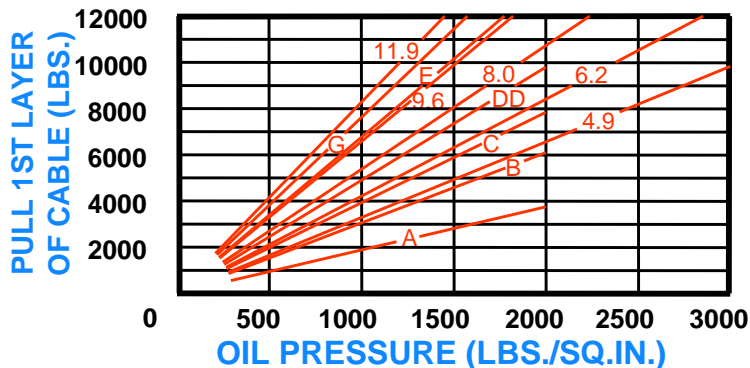
#### 10:1 RATIO (optional)



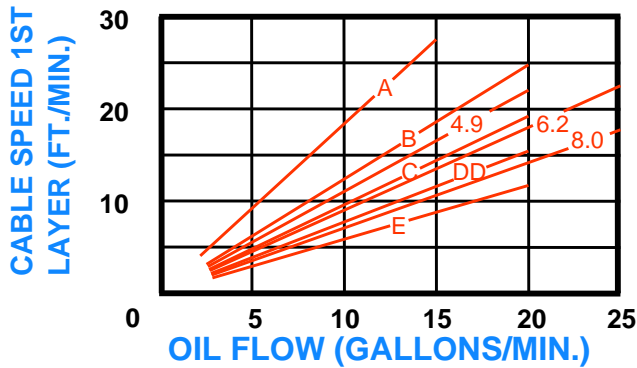
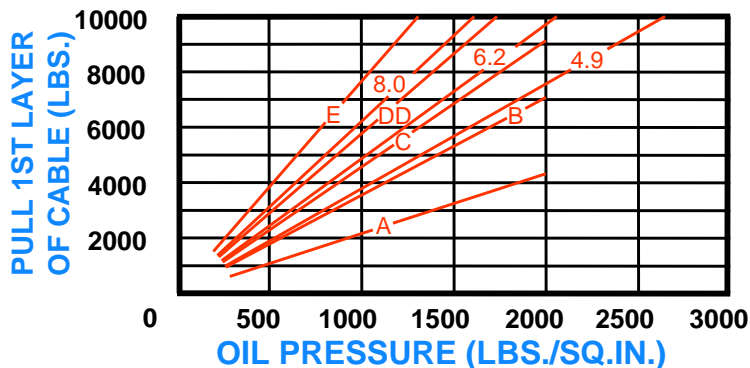
#### 20:1 RATIO (standard)



#### 27:1 RATIO (optional)



#### 40:1 RATIO (optional)



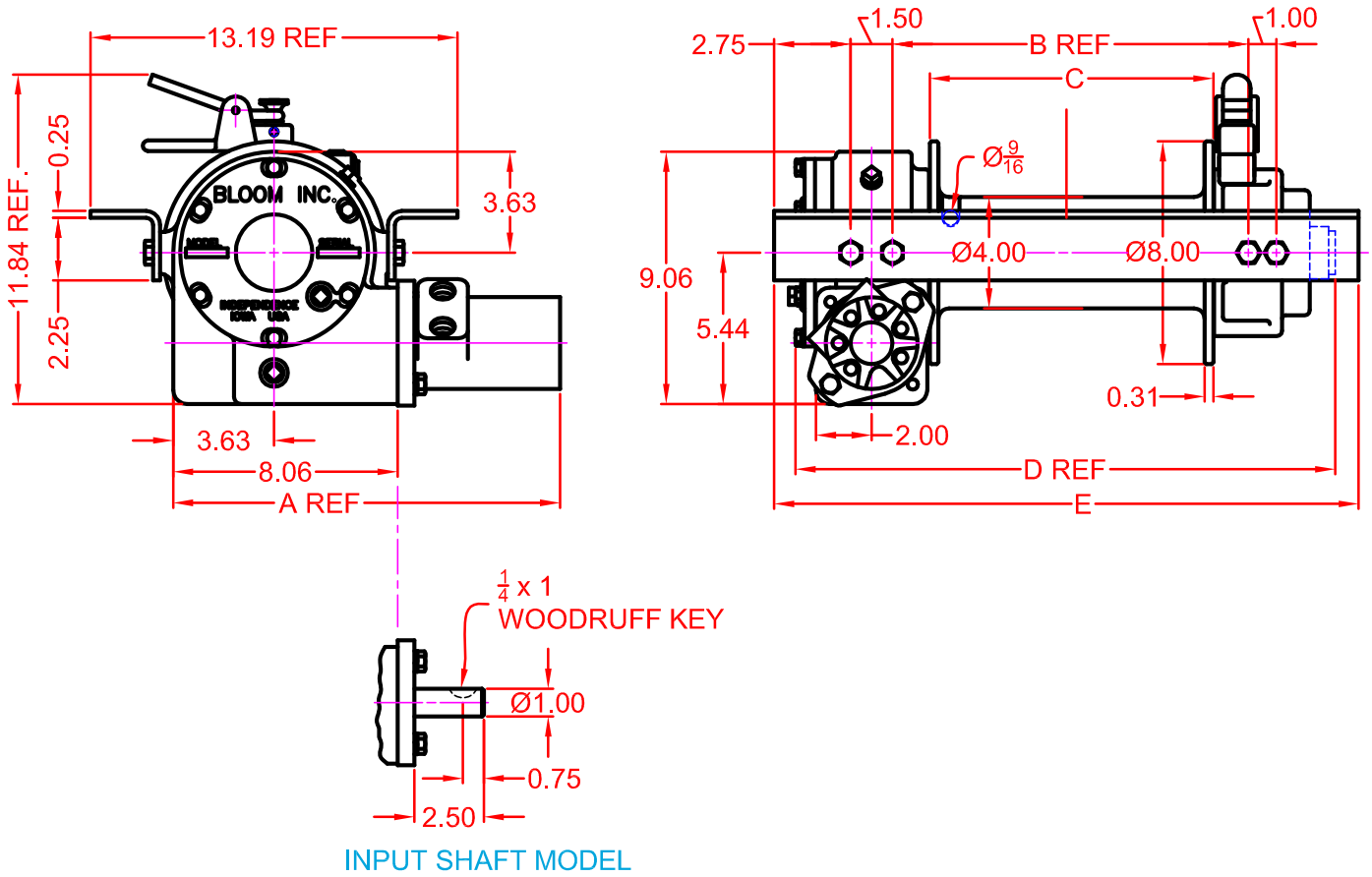


“Quality Since  
1910”

# BLOOM™ WINCH

## Dimensional Drawings

Series 11007 K JH 'S8 and L8 Drum  
Low Profile Model - 7`i HW `Drive



MOTOR DESIGNATION	A	B	C	DD	E	G	4.9	6.2	8.0	9.6	11.9
A DIMENSION	13.28	13.43	13.55	13.68	13.90	14.03	15.32	15.50	15.75	15.75	16.02

DRUM DESIGNATION	WINCH DIMENSION					
	B	C	D	E	F	G
S8	9.79	7.18	16.39	18.00	9.25	14.44
L8	12.79	10.18	19.39	21.00	12.25	17.44

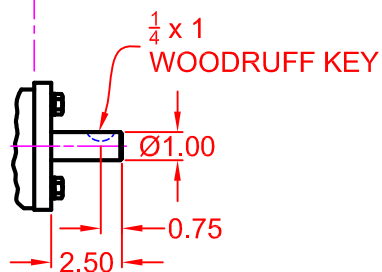
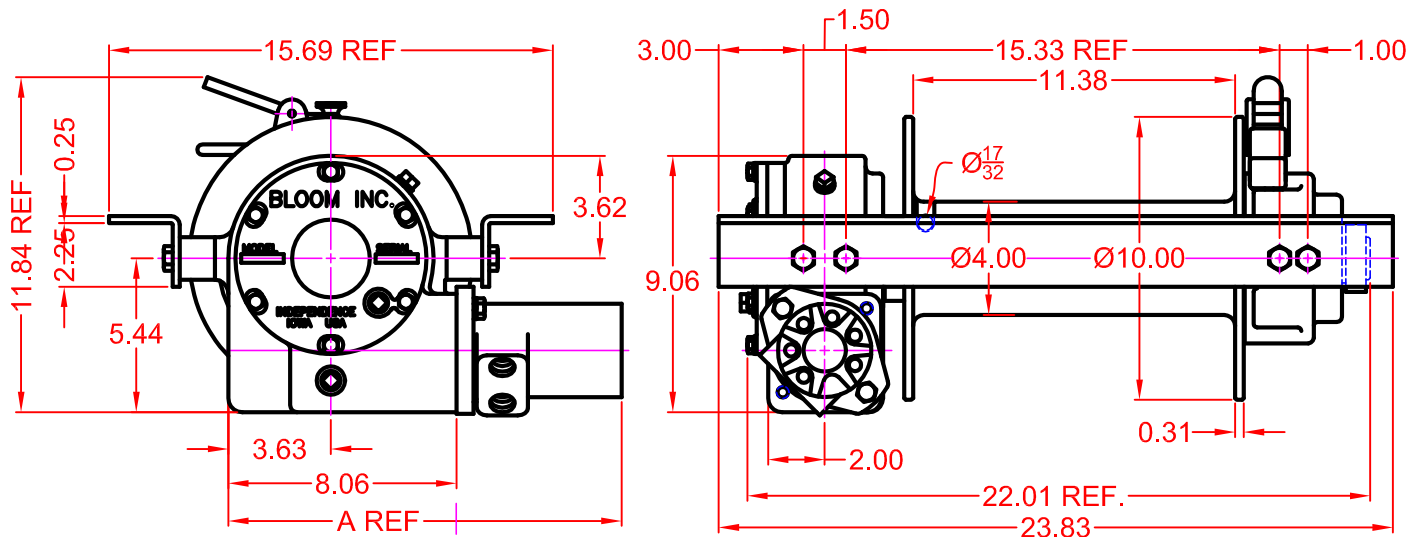


“Quality Since  
1910”

# BLOOM™ WINCH

## Dimensional Drawings

Series 11007 K J H L @ \$ Drum Low  
Profile Model - 7 i W Drive



INPUT SHAFT MODEL

MOTOR DESIGNATION	A	B	C	DD	E	G	4.9	6.2	8.0	9.6	11.9
A DIMENSION	13.28	13.43	13.55	13.68	13.90	14.03	15.32	15.50	15.75	15.75	16.02

CABLE DIAMETER (IN.)	1/4	5/16	3/8	7/16	1/2
DRUM "XL10" CAPACITY (FT.)	840	550	340	250	170

# **BLOOM™ WINCH**

## Correct choice of Directional Control Valves for Bloom Winches

**Tandem Center Spool Valve** – Work Ports are **blocked** in neutral position

Use on all winches that use motor only to hold load.

\*Winches require ridged mounting plate.  
See owner's manual for information about proper mounting plate thickness or call Bloom Sales Engineer at factory

### **WARNING!**

Goods are not intended for use in the moving or lifting of persons!

The winches described herein are neither designed nor intended for use or application to equipment used in the lifting or moving of persons and it is understood that all such use shall be at the sole risk of the user.

The cable clamps on winches are not designed to hold rated loads. A minimum of 5 wraps of cable must be left on drum barrel to guarantee holding of rated load.

Applications of winch where life would be endangered by any event are not recommended.



## **BLOOM Manufacturing Inc.**

### **Winch Division**

1443 220<sup>th</sup> Street, Independence, Iowa 50644

FAX 319-827-1140 PHONE 319-827-1139

[www.bloommfg.com](http://www.bloommfg.com)

©Copyright 2010 Bloom Mfg. Inc.