

BLOOM™ WINCH



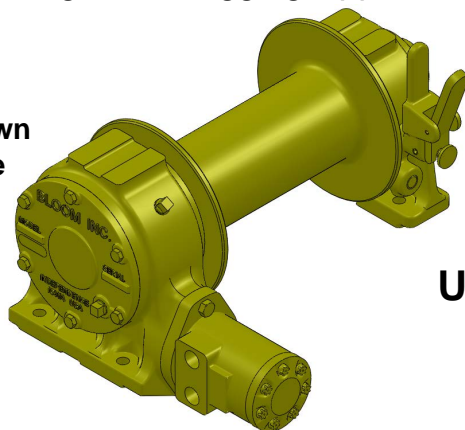
Series 800C

HYDRAULIC CABLE WINCHES

*"Quality Since
1910"*

The rugged construction and versatility of **Series 800C** makes it adaptable to a wide range of applications. Series 800C winches are equipped with a sliding clutch to allow free-spooling of the drum for pulling and dragging applications including drill rigs, mining and logging operations.

Series 800C Base Mount Shown
Low Profile Mount Available



**UP TO 8,000 POUNDS
CAPACITY**

Bloom™ Hydraulic Cable Winches – Standard Features

- | | |
|----------------------|---|
| GEAR CASE | - Made of high strength cast iron. Completely sealed for oil enclosed operation and to keep dirt out. |
| WORM SHAFT | - One piece alloy steel hardened and ground for extra durability. |
| WORM GEAR | - High tensile aluminum-nickel alloy bronze. Optimum lead and pressure angles transmit maximum power to the drum. |
| GEAR RATIO | - 20:1 standard, and 10:1 optional ratios provide optimum efficiency in power and speed. |
| BEARINGS | - Worm and drum shaft run on tapered roller bearings. Outer end housing has a sealed ball bearing. |
| DRUM SHAFT | - 1-1/4" diameter heat-treated alloy steel minimum tensile strength 150,000 psi. |
| CABLE DRUM | - Tough all steel construction resists breakage or warping. |
| CLUTCH OPTION | - Series 800C winches comes equipped with heat-treated dog type clutch to provide free-spooling of the winch drum. Positive lock-in and lock-out. |

CAUTION:

This winch model does not include any kind of holding brake. If your application requires a holding brake choose series 800HC winches with automatic hydraulic safety brakes.



www.bloommfg.com

BLOOM
Manufacturing Inc.
Winch Division

*Lifting
Pulling
Hoisting*

Toll Free Number: 1-800-394-1139

"Custom Engineered Solutions"

1443 220th Street, Independence, Iowa 50644 • FAX: 319-827-1140 • PHONE: 319-827-1139

BLOOM™ WINCH



"Quality Since
1910"

Series 800C Model Selection from Performance Data

MODEL EXAMPLE: 8-B-L8-C-20-LP

Gear Case and
Shaft Designation

8 = Series 800C with 1-1/4" Drum Shaft

Hydraulic Motor Designation

A, B, C, DD

IS Input Shaft

Drum Sizes

S, S8, L, L8

Low Profile Mounting
(specify with or without
mounting angles)

Gear Ratio

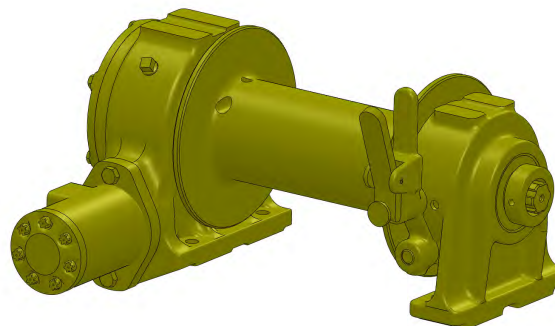
10:1, 20:1

Clutch

Designation

DRUM CAPACITY

CABLE DIAMETER (IN.)	1/4	5/16	3/8	7/16	1/2
DRUM "S" CAPACITY (FT.)	120	70	45	30	25
DRUM "S8" CAPACITY (FT.)	260	160	105	75	55
DRUM "L" CAPACITY (FT.)	175	105	65	45	30
DRUM "L8" CAPACITY (FT.)	390	240	160	110	80



BLOOM™ WINCH



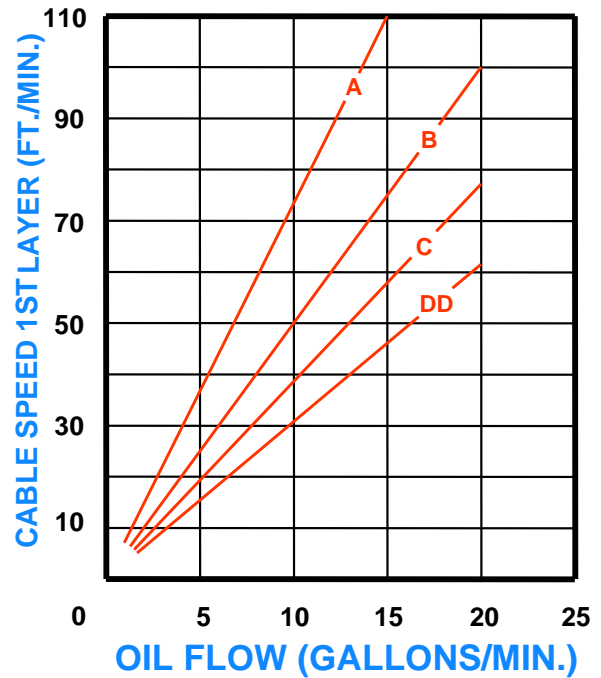
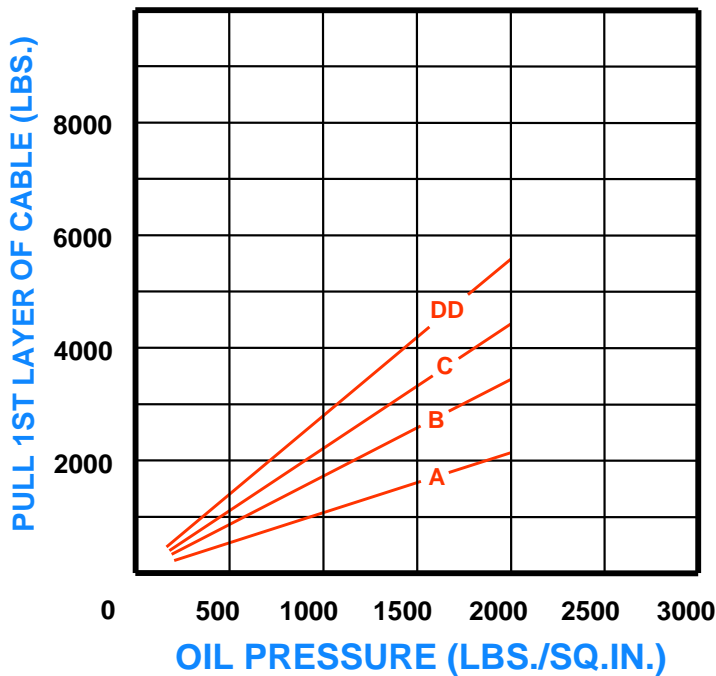
"Quality Since 1910"

Series 800C

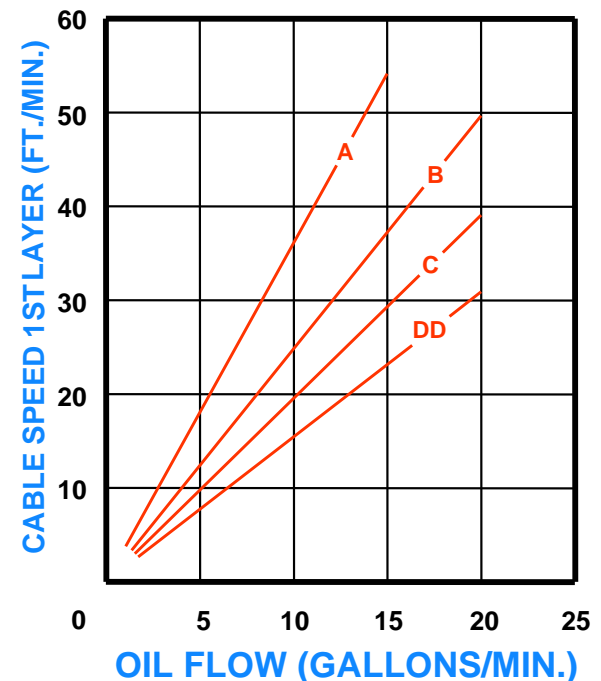
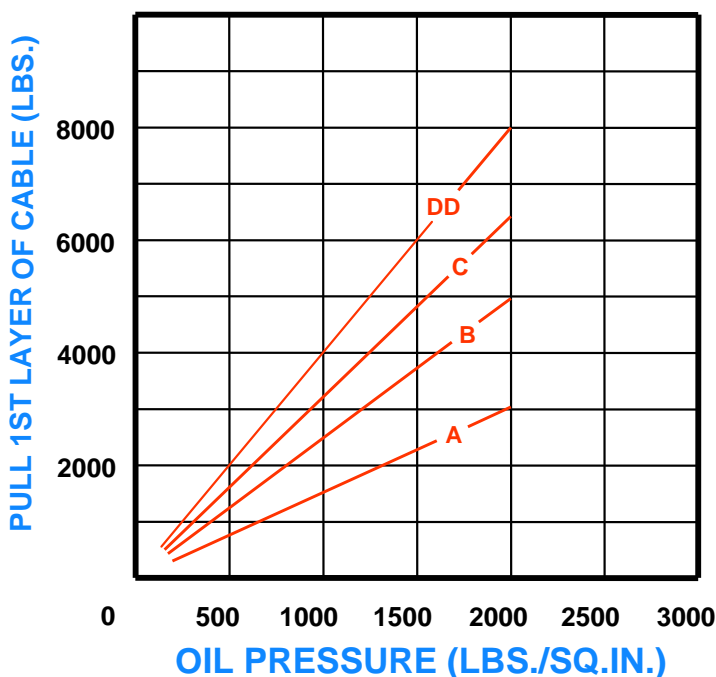
Bloom Hydraulic Cable Winches

Model Selection from Performance Data

10:1 RATIO (optional)



20:1 RATIO (standard)



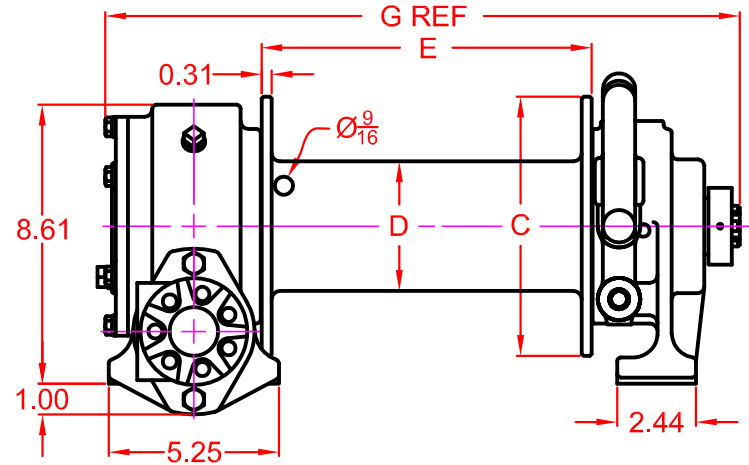
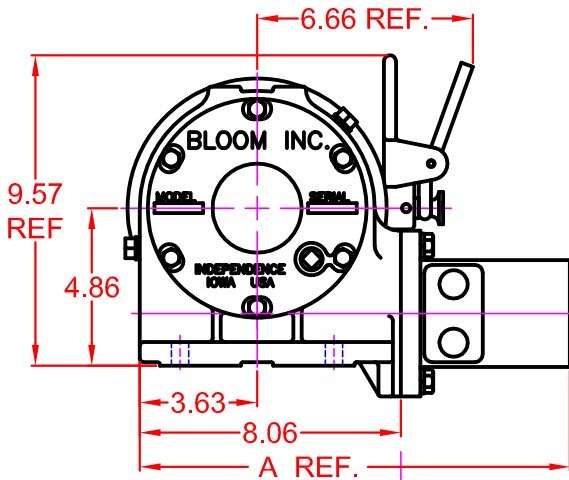
BLOOM™ WINCH



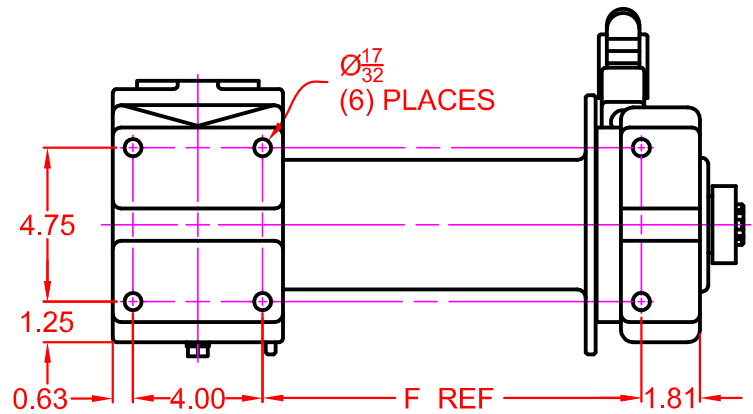
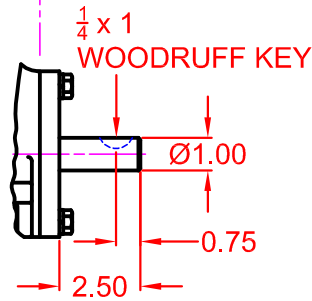
Dimensional Drawings

Series 800 K JH 'G, S8, L and L8 Drum
Base Mount Model - Clutch Drive

"Quality Since
1910"



INPUT SHAFT MODEL



MOTOR DESIGNATION	A	B	C	DD
A DIMENSION	13.28	13.43	13.55	13.68

DRUM DESIGNATION	WINCH DIMENSION				
	C	D	E	F	G
S	6	3.50	7.19	8.69	16.62
S8	8	4	7.19	8.69	16.62
L	6	3.50	10.19	11.69	19.62
L8	8	4	10.19	11.69	19.62

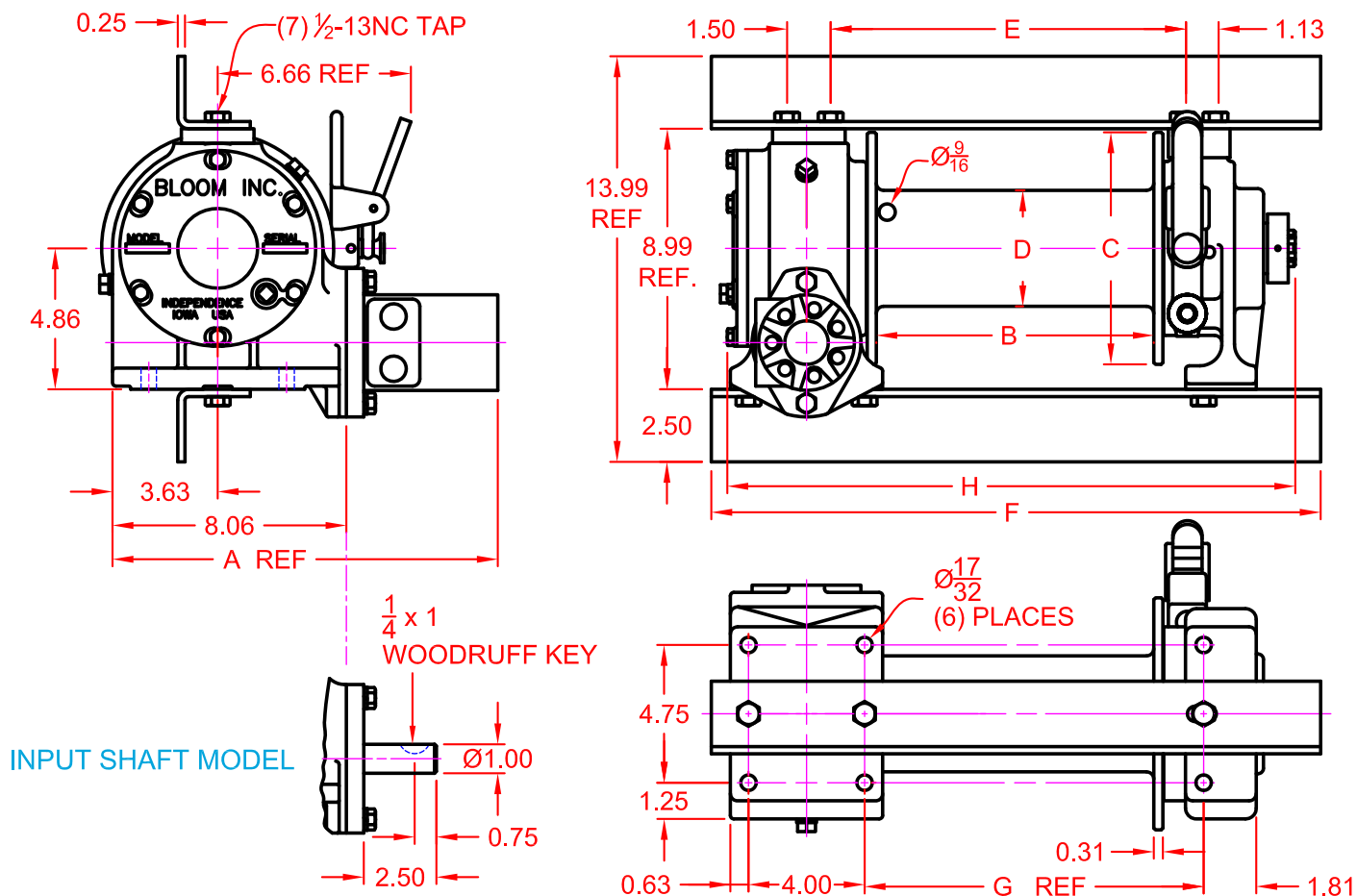
BLOOM™ WINCH



Dimensional Drawings

Series 800 K JH G, S8, L and L8 Drum
Low Profile Model - Clutch Drive

"Quality Since
1910"



MOTOR DESIGNATION	A	B	C	DD
(A) DIMENSION	13.28	13.43	13.55	13.68

DRUM DESIGNATION	WINCH DIMENSION						
	B	C	D	E	F	G	H
S	6.56	6	3.50	9.19	18.00	8.69	16.62
S8	6.56	8	4	9.19	18.00	8.69	16.62
L	9.56	6	3.50	12.19	21.00	11.69	19.62
L8	9.56	8	4	12.19	21.00	11.69	19.62

BLOOM™ WINCH

800C SERIES MODEL SELECTION

A MOTOR

8-A-SC
8-A-S8C
8-A-LC
8-A-L8C

B MOTOR

8-B-SC
8-B-S8C
8-B-LC
8-B-L8C

C MOTOR

8-C-SC
8-C-S8C
8-C-LC
8-C-L8C

DD MOTOR

8-DD-SC
8-DD-S8C
8-DD-LC
8-DD-L8C

BLOOM™ WINCH

Correct choice of Directional Control Valves for Bloom Winches

Tandem Center Spool Valve – Work Ports are **blocked** in neutral position

Use on all winches that use motor only to hold load.

*Winches require ridged mounting plate.
See owner's manual for information about proper mounting plate thickness or call Bloom Sales Engineer at factory

WARNING!

Goods are not intended for use in the moving or lifting of persons!

The winches described herein are neither designed nor intended for use or application to equipment used in the lifting or moving of persons and it is understood that all such use shall be at the sole risk of the user.

The cable clamps on winches are not designed to hold rated loads. A minimum of 5 wraps of cable must be left on drum barrel to guarantee holding of rated load.

Applications of winch where life would be endangered by any event are not recommended.



BLOOM Manufacturing Inc. **Winch Division**

1443 220th Street,, Independence, Iowa 50644

FAX 319-827-1140 PHONE 319-827-1139

www.bloommfg.com

©Copyright 2015 Bloom Mfg. Inc.