

BLOOM™ WINCH



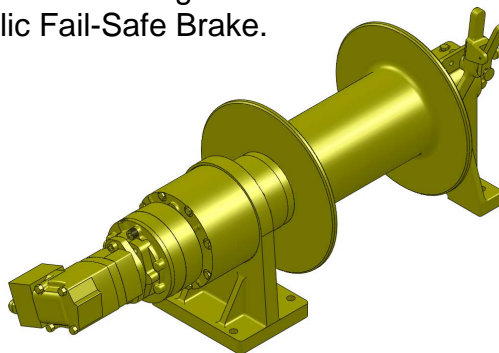
Series 2300KC

HYDRAULIC PLANETARY CABLE WINCHES

The rugged construction and versatility of **Series 2300KC** makes it adaptable to a wide range of applications. **Series 2300KC** direct drive winches are used for industrial pulling applications, fishing boats, marine craft, drill rigs, small cranes, factory material handling and rear load waste handlers. **Series 2300KC** clutch drive winches are equipped with a sliding clutch to allow free-spooling of the drum for pulling applications including factory material handling, mining and logging equipment, flat bed trailers, air freight pullers, off the road tractors and rear of cab and front mounting on ½ to 1-½ ton trucks. **Series 2300KC** is equipped with hydraulic Fail-Safe Brake.

"Quality Since
1910"

UP TO 16,000 LBS.
CAPACITY



Bloom™ Hydraulic Cable Winches – Standard Features

- | | |
|-----------------------|--|
| BRAKE | - DUET-SAFE® Double Action Braking System combines a powerful spring applied, hydraulic released brake with a double counter balance brake valve to automatically hold loads when hydraulic pressure is released and control speed during lowering operations. Winch is ideal for high speed pulling applications or wherever load holding is critical. |
| GEAR CASE | - Made of high strength steel. Completely sealed for oil enclosed operation and to keep dirt out. |
| PLANETARY GEAR | - High Efficiency Double Reduction – Rugged - Built to Last. |
| GEAR RATIO | - 17:1 standard. |
| BEARINGS | - Drum Shaft is supported by two heavy duty oil lubricated bearings in gear case, and one permanently sealed ball bearing in end housing. |
| DRUM SHAFT | - 2-1/4" diameter heat -treated alloy steel minimum tensile strength 150,000 psi. |
| CABLE DRUM | - Tough all steel construction resists breakage or warping. |
| CLUTCH | - Series 2300KC winches comes equipped with heat-treated dog type clutch to provide free-spooling of the winch drum. Positive lock-in and lock-out. |



BLOOM
Manufacturing Inc.
Winch Division

Lifting
Pulling
Hoisting

www.bloommfg.com

"Custom Engineered Solutions"

Toll Free Number: 1-800-394-1139

1443 220th Street., Independence, Iowa 50644 • FAX: 319-827-1140 • PHONE: 319-827-1139

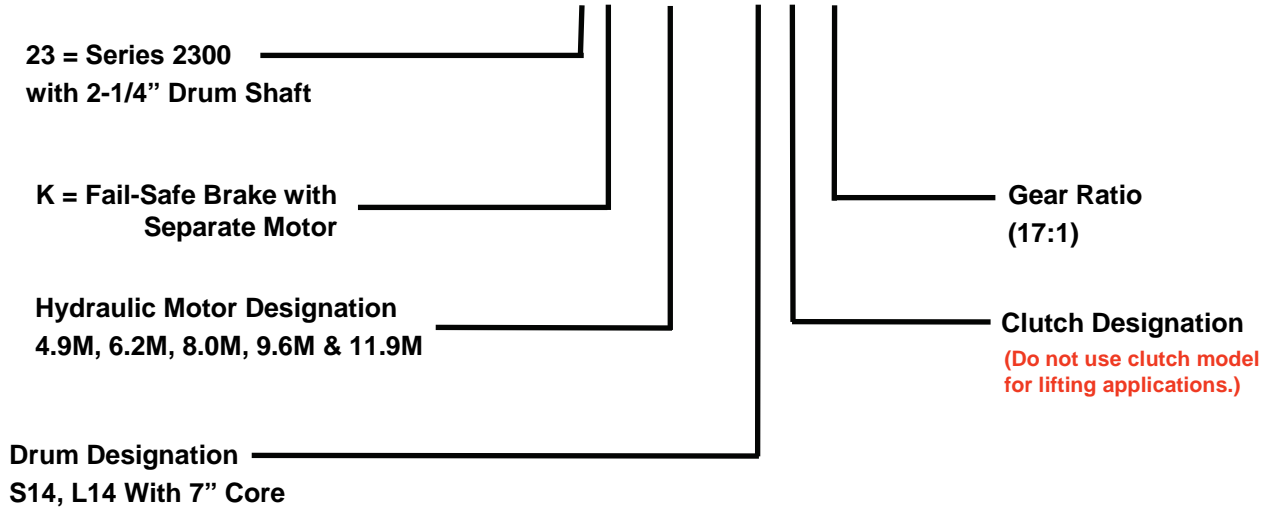
BLOOM™ WINCH



Series 2300KC Model Selection from Performance Data

"Quality Since
1910"

MODEL EXAMPLE: 23K-6.2M -L14-C-17



(23K) Indicates a series 2300K winch with 2 1/4" drum shaft. The "K" indicates 2000 series motor with standard fail-safe brake.

(6.2M) Designates hydraulic motor. Motor size is determined from motor performance charts. All motors come complete with attached double counter balanced valve.

(L14) Drum designation.

DRUM CAPACITY

CABLE DIAMETER (IN.)	5/16	3/8	7/16	1/2	9/16	5/8
DRUM "S14" CAPACITY (FT.)	615	400	300	225	160	115
DRUM "L14" CAPACITY (FT.)	1100	712	517	409	295	200

(C) Designates Series 2300KC winch with dog type clutch for free - spooling drum.

(17) Indicates gear ratio. 17:1 is standard.

BLOOM™ WINCH

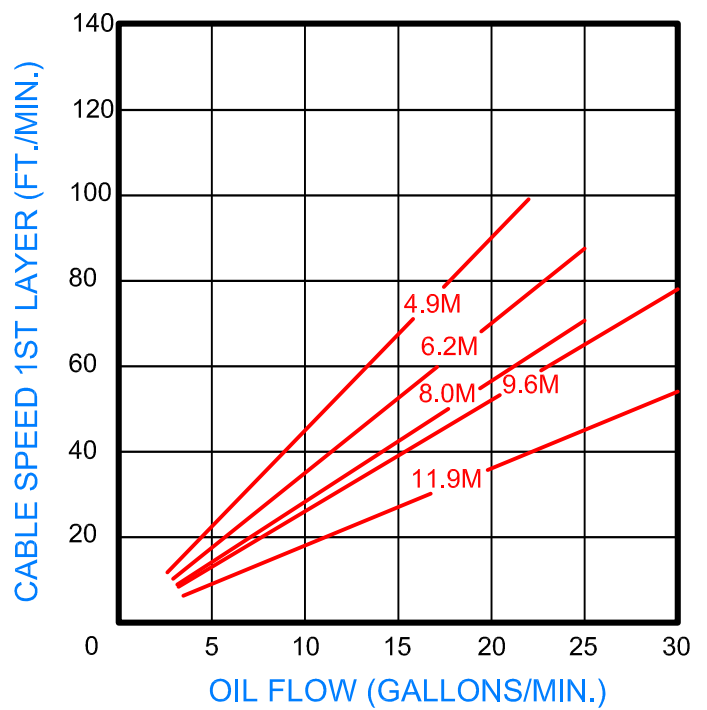
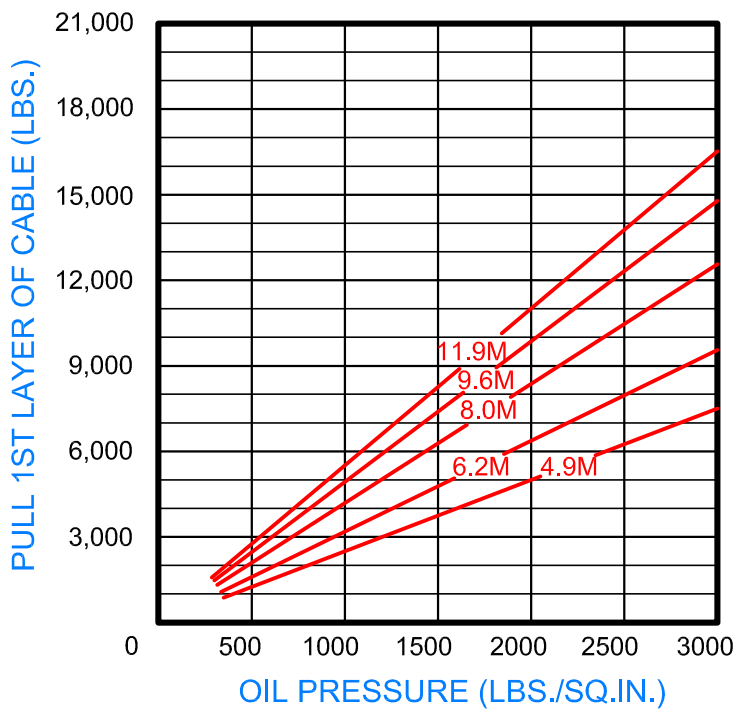


Series 2300KC

Model Selection from Performance Data

"Quality Since
1910"

17:1 RATIO



17:1 RATIO

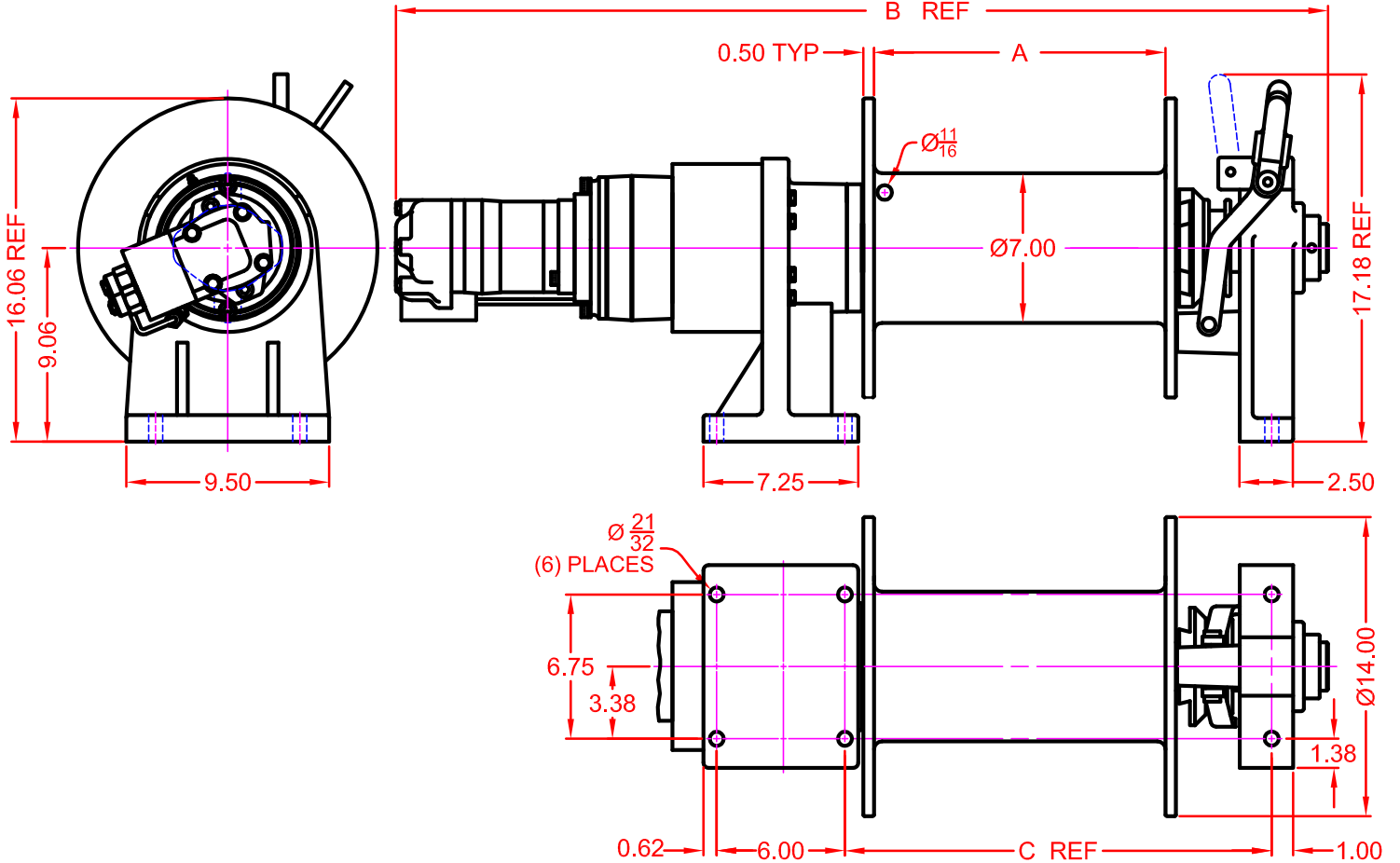


“Quality Since
1910”

BLOOM™ WINCH

Dimensional Drawings

Series 2200KC With S14 and L14 Drum
Base Mount Model - Clutch Drive



B DIMENSION	MOTOR DESIGNATION				
	4.9M	6.2M	8.0M	9.6M	11.9M
S14 DRUM	36.42	36.69	36.94	36.94	37.21
L14 DRUM	42.42	42.69	42.94	42.94	43.21

WINCH DIMENSION	DRUM DESIGNATION	
	S14 DRUM	L14 DRUM
A DIMENSION	7.63	13.63
C DIMENSION	13.97	19.97

BLOOM™ WINCH

Correct choice of Directional Control Valves for Bloom Winches

Winches require a **Motor Spool Control Valve**.
That is the valve's work ports are **open** to tank in neutral position.

*Winches require ridged mounting plate.
See owner's manual for information about proper mounting
plate thickness or call Bloom Sales Engineer at factory

WARNING!

Goods are not intended for use in the moving or lifting of
persons!

The winches described herein are neither designed nor intended
for use or application to equipment used in the lifting or moving of
persons and it is understood that all such use shall be at the sole
risk of the user.

The cable clamps on winches are not designed to hold rated
loads. A minimum of 5 wraps of cable must be left on drum barrel
to guarantee holding of rated load.

Applications of winch where life would be endangered by any
event are not recommended.



BLOOM Manufacturing Inc.

Winch Division

1443 220th Street, Independence, Iowa 50644

FAX 319-827-1140 PHONE 319-827-1139

www.bloommfg.com

©Copyright 2010 Bloom Mfg. Inc.