

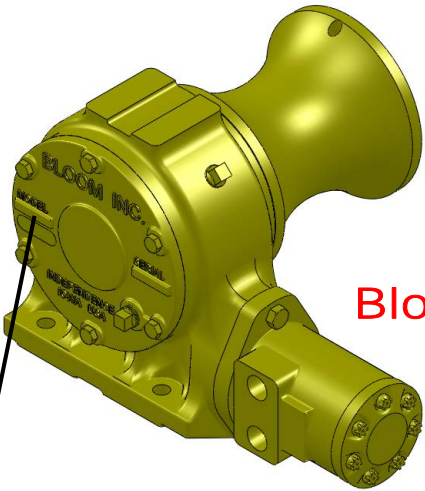
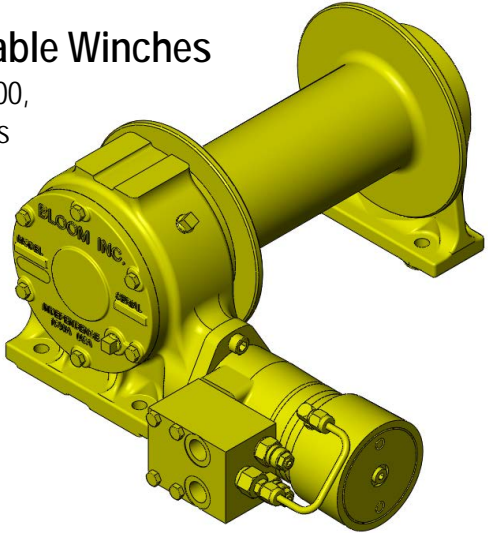
# BLOOM MANUFACTURING INC.



## Safety, Warranty, Maintenance & Repair, Installation and Operation Manual

### Bloom™ Hydraulic Cable Winches

800, 1000, 1100, 1200,  
1400 & 1600 Series



### Bloom™ Hydraulic Capstan Winche

1000, 1100, 1000V  
1400V & 1400 Series

All Bloom winches have the model and serial number stamped on the gear case cover. Please take a few minutes to record these numbers for future use. You will need these numbers for ordering parts or gathering service information from the factory:

Model # \_\_\_\_\_ Serial # \_\_\_\_\_

*Thank you for your purchase of a quality Bloom product !*

**THIS MANUAL MUST BE KEPT WITH THE WINCH AT ALL TIMES AND  
NEW WINCH OPERATORS MUST READ AND UNDERSTAND IT.**

REV. 03-2015

## **Bloom Manufacturing Inc.**

Winch Division  
1443 220th Street  
Independence, IA 50644

www.bloommfg.com  
Email: sales@bloommfg.com    engineering@bloommfg.com

800-394-1139 tel  
319-827-1139 tel  
319-827-1140 fax

## Table of Contents

1. General Safety Requirements
2. Warranty
3. Maintenance & Repair
  - (a) Clean and Inspect
  - (b) Oil Change Information
  - (c) Oil Level
  - (d) Recommended Gear Oil
  - (e) Inserts:
    - Assembly (specific model)
    - Disassembly (specific model)
    - Parts List (specific model)
    - Assembly Check Valve Kit
    - Assembly of Oil Cooled Brake
    - Replacement of Clutch Handle and Yoke
4. Winch Break In
5. Winch Installation
6. Winch Operation
  - (a) Cable Considerations
  - (b) The Importance of a Proper Fleet Angle
  - (c) Wire Rope Anchor & Wrapping
  - (d) Automatic Safety Brakes & Adjustment

*Please note that not all of the sections of the Table of Contents apply to each model purchased*

Merchandise may not be returned without approval from factory. The customer will be charged for placing the returned goods in salable condition plus a restocking charge of 25%. All returns must be shipped prepaid.

### Section 1

### General Safety Requirements



#### THIS SYMBOL MEANS

- Attention!
- Become Alert!
- Your Safety Is Involved



Take Note! This Safety Alert Symbol Found Throughout This Manual Is Used To Call Your Attention To Instructions Involving Your Personal Safety And The Safety Of Others. Failure To Follow These Instructions Can Result In Injury Or Death.

#### SIGNAL WORDS:

Note the use of the signal words DANGER, WARNING AND CAUTION with the safety messages. The appropriate signal word for each has been selected using the following guidelines:

- **DANGER:** Indicates an imminently hazardous situation that, if not avoided, will result in death or serious injury. This signal word is to be limited to the most extreme situations typically for machine components which, for functional purposes, cannot be guarded.
- **WARNING:** Indicates a potentially hazardous situation that, if not avoided, could result in death or serious injury, and includes hazards that are exposed when guards are removed. It may also be used to alert against unsafe practice.
- **CAUTION:** Indicates a potentially hazardous situation that, if not avoided, may result in minor or moderate injury. It may also be used to alert against unsafe practices.

CAUTION



WARNING

## Failure to Heed The Following Warnings May Result In Serious Injury Or Death

- **Bloom winches are not to be used to lift, hoist, or move people.** If your task involves lifting or moving people, you must use the proper equipment, not this winch.
- Cable anchors on Bloom winches are not designed to hold the rated load of the winch. You must keep at least five (5) wraps of cable on the drum to ensure that the cable doesn't come loose. We suggest that the last 5 wraps of cable be painted bright red to serve as a visual warning.
- Stay clear of suspended loads and of cable under tension. A broken cable or dropped load can cause serious injury or death.
- No equipment should be installed, operated, or maintained by any person who has not carefully read all contents of this manual. Serious physical injury or property damage can result from failure to read and apply the instructions contained therein. Therefore, we urge you to read all operating instructions and warnings carefully. If any instruction or warning is not clear, or if you feel you need additional information, please contact Bloom Mfg Inc. This manual should not be understood to prepare you for every possible situation. It is the owner's and user's responsibility to determine the suitability of a product for a particular use. Applicable industry, trade association, federal, state, and local regulations should be reviewed.
- Make sure that all equipment, including the winch and cable, is maintained properly. Pay especially close attention to the clutch, making sure that it fully engages when shifted.  
**Winches equipped with free spooling dog clutch should never be used in a lifting application.**
- Avoid shock loads. This type of load imposes a strain on the winch many times the actual weight of the load and can cause failure of the cable or of the winch.
- Bloom products are sold on the strict understanding that all products selection is the full responsibility of the purchaser.
- Bloom accepts no liability for the use, misuse or incorrect application of its products.
- Leather gloves should be used when handling winch cable.
- Ensure the correct equipment is obtained and installed for the application.
- Ratings shown in Bloom literature are applicable only to new products.
- Working load limits shown are the maximum load the product is authorized to support under normal environmental conditions. Shock loading and abnormal conditions must be taken into account when selecting products.
- In general, products displayed in Bloom literature are used as parts of a system. As a result, we can only recommend within the working load limits, or other stated limitations, the use of products for this purpose.
- Working load limits or safety factors for each Bloom product may be affected by wear, misuse or environmental conditions. Regular inspection must be conducted to ensure the equipment continues to meet the published standards.

If you have questions not answered in this manual or require additional copies or the manual is damaged, please contact Bloom Mfg., Inc., 1443 220th Street, Independence, Iowa 50644.

This sample manual is based upon general industry considerations and does not take into account product or manufacturer specific exposures or needs. This sample manual may not be adopted by a product manufacturer as its manual, but may be used by the manufacturer in the process of developing its own manual, based upon its specific products and operations, after consulting with its advisor.

**LIMITED NINETY (90) DAY WARRANTY FOR HYDRAULIC CABLE & CAPSTAN WINCHES**

Effective date January 1, 1999

Bloom Mfg. Inc., Independence, Iowa 50644, provides the following LIMITED NINETY (90) DAY WARRANTY on its product to the purchaser of this product and to any person to whom such product is transferred during the duration of this warranty. The warrantor's obligation shall be limited to repairing or replacing at the factory in Independence, Iowa, any part or parts which shall within the NINETY (90) DAY period hereinafter specified be returned to it with transportation prepaid and which upon examination by Bloom Mfg. Inc. shows to have been defective. This warranty shall not apply if:

- (a) the product has been altered, repaired or modified outside the warrantor's factory in any way that would adversely affect its operation.
- (b) the product has been subject to careless or negligent misuse, damage or use of improper oil while in the possession of the purchaser or any person to whom the product was transferred by the purchaser or was installed or operated other than in accordance with the manufacturer's operating instructions.
- (c) the product was used with accessories not recommended by Bloom Mfg. Inc. or for loads in excess of those listed as rated for the product.
- (d) in the case of hydraulic motors, Bloom Mfg. Inc. will not accept responsibility and warranty will be subject to manufacturer's warranty.

The NINETY (90) DAY LIMITED WARRANTY period shall commence with the date the product is sold to the purchaser by the dealer or if this date cannot be established, the date the product was sold by Bloom Mfg. Inc. to the dealer.

THE IMPLIED WARRANTIES OF MERCHANTABILITY AND FITNESS FOR PARTICULAR PURPOSE ARE LIMITED TO THE DURATION OF THIS WARRANTY - NINETY (90) DAYS - AFTER SAID (90) DAYS, BLOOM MFG. INC. EXPRESSLY DISCLAIMS ANY WARRANTY OR MERCHANTABILITY OR FITNESS FOR ANY PARTICULAR PURPOSE.

Purchase or other acceptance of the product by the claimant shall be on the condition and agreement that BLOOM MFG. INC. SHALL NOT BE LIABLE FOR INCIDENTAL OR CONSEQUENTIAL OR CONTINGENT DAMAGE, SECONDARY CHARGES OR LOSS OR EXPENSE RESULTING FROM ANY ALLEGED DEFECT, FAILURE OF ARTICLE TO OPERATE PROPERLY, OR FOR THE NEGLIGENCE OF OTHERS OR DAMAGES OF ANY KIND.

Bloom Mfg. Inc. is not responsible for the cost, of removal of product, damages due to removal or any other expenses incurred in shipping the product to or from Bloom Mfg. Inc. or the installation of the repaired or replacement product. The consumer must bear these expenses.

To make a claim under this warranty, write directly to Bloom Mfg. Inc., Independence, Iowa 50644, identifying the product and giving its location and follow the company's return instructions which will be provided by the company. Bloom Mfg. Inc. will make its best efforts to repair or replace the product, if found to be defective within the terms of this warranty, within SIXTY (60) DAYS after return of the product to the company.

This warranty is exclusive and in lieu of all other warranties whether written, oral or implied (including any warranty of merchantability or fitness for a particular purpose.



**CAUTION**

- Make sure that there is no load on the winch cable and that all of the hydraulic hoses have been disconnected before servicing unit.

A winch, like other types of machinery, needs to have regular maintenance if it is to perform properly, give lasting service, and provide safe winching.

(a) Clean and Inspect:

Thoroughly clean all of the parts in a good grade of cleaning solvent; one that is not flammable, not toxic and will not cause skin rashes. If necessary, use rubber gloves. Inspect all parts for wear, nicks, scratches and damage that would render them unusable. If a part is questionable, it is better to replace it rather than take a chance on premature failure when the winch is placed back in service. Always replace O-rings and seals, and it is a good idea to use new roll pins as well. Sometimes it is permissible to reuse bearings and bushings...it depends on how much use they have had. The rollers should not exhibit any surface irregularities. If the rollers show any sign of spalling, corrosion, discoloration, material displacement or abnormal wear, the bearings should be replaced.

Likewise, the cage should be inspected for unusual wear or deformation, particularly the cage bars. If there is any damage that will impair the cage's ability to separate, retain, and guide the rollers properly, the bearing should be replaced. The thrust washer contact areas should be free from any surface irregularity that might cause excessive abrasion or friction. If the winch was disassembled only to replace damaged seals after a short period of service, it is not necessary to replace the bearings. Experience and common sense, along with a good inspections, will determine if they can be used again. Always coat O-rings, bearings, bushings and the rubber parts of seals with oil during assembly.

Use a light coat of thread sealing compound on pipe fittings and plugs.

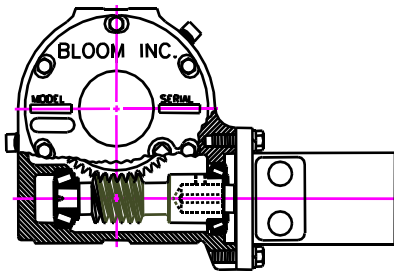
(b) Oil Change Information:

The winch vent/fill and drain plugs are located at the base of the face plate. Oil should be changed every 100 hours of operating time, or every six months, whichever comes first.

(c) Oil Level:

To check the oil level, remove the level plug. The oil should be level with the bottom of this opening. If more oil is needed, use the recommended gear oil listed below.

**OIL CAPACITY CHART**



**Note:**

Base mounted position is when the worm shaft is below the bronze gear.

Winch Type	Winch Series	Base Mounted Position*	All Other Mounting Positions
Cable	800 & 1000	1 Pint	2 Pints
	1100	1 Pint	2 Pints
	1200 w/o brake	2 Pints	3 Pints
	1200 w/ brake	3 Pints	4 Pints
	1400	4 Pints	6 Pints
	1600	4 Pints	6 Pints
Capstan	1000 & 1100	1 Pints	2 Pints
	1100V	2 Pints	2 Pints
	1400	4 Pints	6 Pints
	1400V	17 Pints	17 Pints

(d) Recommended Gear Oil:

Use BLOOM ULLTRA-LUBE NO. 601 trans-worm gear oil; available from Bloom in pints or quarts. For emergency situations when BLOOM ULLTRA-LUBE NO. 601 is not immediately available, use Phillips 66 Company SAE grade 80W90 superior multi-purpose gear oil (Phillips 80W90 SMP) meeting API classification GL-5 or equivalent brand. Continuous use of oil other than BLOOM ULLTRA-LUBE NO. 601 or Phillips 80W90 SMP oil may shorten the life of the gears. DO NOT mix BLOOM #601 or Phillips 80W90 SMP with more than 50% of any other kind of oil.

## Section 4

## Winch Break In



**CAUTION**

- Winches, like any other kind of machinery, require a “break in” to perform well and to maximize their life.
- Use extreme care when first spooling cable onto the winch. Do not run the winch at high speeds when performing this operation.
- Make sure that the cable is unrolled in a line (to prevent kinks) and slowly inhaul the winch to install the cable.
- Do not exceed one half rated load or one half rated line speed for the first thirty minutes of operation. This will ensure that the worm and gear have an opportunity to wear in properly.
- Periodically, check the gearbox for temperature rises and allow the winch to cool down between pulls.

## Section 5

## Winch Installation



**CAUTION**

- You must make sure that your winch is securely mounted in order for it to function properly and to ensure safe operation.
- The mount must be flat to ensure proper alignment between the gearbox side, the drum, and the clutch.
- Winches must never be fastened directly to the frame of a truck. Mounting brackets should be used.
- With a hydraulically driven winch, make sure the hydraulic system is clean and that all components function properly, especially the relief valve.

### HARDWARE REQUIREMENTS

Winch Series	800	1000	1100	1200	1400V	1400	1600
Base Mount (steel) Thickness	1/2"	1/2"	1/2"	1/2"	3/4"	1"	1"
Angle Mounts (steel) Length	2-1/2"	2-1/2"	2-1/2"	2-1/2"		3"	3"
Width	2-1/2"	2-1/2"	2-1/2"	2-1/2"		3"	3"
Thickness	1/4"	1/4"	1/4"	1/4"		1/2"	1/2"
Capscrews (Hexhead) Size	1/2"	1/2"	1/2"	1/2"	1/2"	5/8"	5/8"
Thread	13 UNC	13 UNC	13 UNC	13 UNC	13 UNC	11 UNC	11 UNC
Grade (plated)	5	5	5	5	5	5	5
Torque / Tightening (foot pounds)	57	57	57	57	57	112	112



- To familiarize yourself with the winch, run it for a few minutes to understand the controls and the “feel” of the winch.
- Pay particular attention to the controls and how they operate. Make sure you understand which way the winch will rotate when the control lever is moved.
- Always make sure that all people are clear of the load and of the cable area before beginning a winching operation.
- Ensure that proper protective wear is worn while operating winch.
- A broken cable can fly in any direction.
- Do not attempt to defeat the relief valve.
- If you have any doubts about the capability of the winch to lift or move a load, either put a “snatch block” in the line or get a bigger piece of equipment.

**Winch lifting application:**

- (1) Attach winch cable to load.
- (2) Make sure no one is in the immediate area of the load or of the cable
- (3) Begin winching the load slowly, watching carefully to ensure that the load is moving normally.
- (4) When the load is positioned where you want it, stop the winch.

DRUM CAPACITY (FEET)	Winch Series	Drum Designation	Cable Diameter (inches)							
			3/16	1/4	5/16	3/8	7/16	1/2	9/16	5/8
800 1000, 1100 & 1200	S*	----	120	70	45	30	25	----	----	
	S8	----	260	160	105	75	55	----	----	
	L	----	175	105	65	45	30	----	----	
	L8	----	390	240	160	110	80	----	----	
	XL10	----	840	550	340	250	170	----	----	
	8-13**	1325	750	450	325	225	155	----	----	
* For series 1000 only	1400	L14	----	----	1223	712	517	409	295	200
** For series 1000K only	1600	L145	----	----	1214	842	662	425	318	303

Consult your local cable supplier for recommendations on the best type of cable and hardware to use in your specific application.

(a) Cable Considerations:

As the number of layers of cable on a winch increases, the rated lifting capacity of the winch goes down. If you are operating at near the top of the drum flanges, the effective rating of the winch is about half of what it is on the first layer. You should, therefore, only keep as much cable on the winch as you need for your job.

Never use larger or smaller cable on your winch than is recommended for it. The use of larger cable will not allow you to pull larger loads and may, in fact, break easier than the proper size cable. The use of smaller cable may overheat the winch due to the increased running time with more cable.

(b) The Importance of a Proper Fleet Angle:

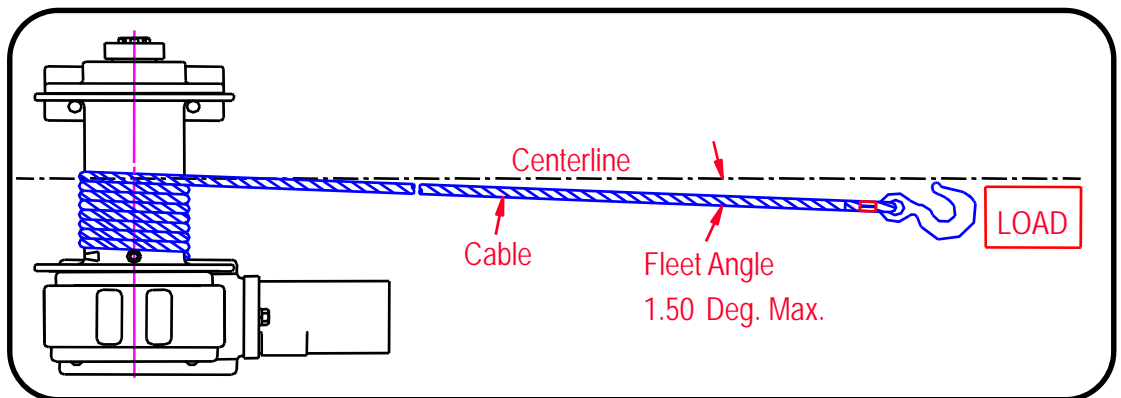
Maintaining the proper fleet angle is important to the success of your winching operation, the life of your winch and the life of the cable you are using. The fleet angle can best be described by the prior diagram:

The fleet angle should be kept as small as possible to ensure proper spooling and to maximize cable and winch life. To promote even cable spooling, keep the fleet angle below one and a half degrees. Never pull directly against the flange of the winch cable drum as this may cause the cable or the winch to break. Adherence to these instructions will ensure better spooling.

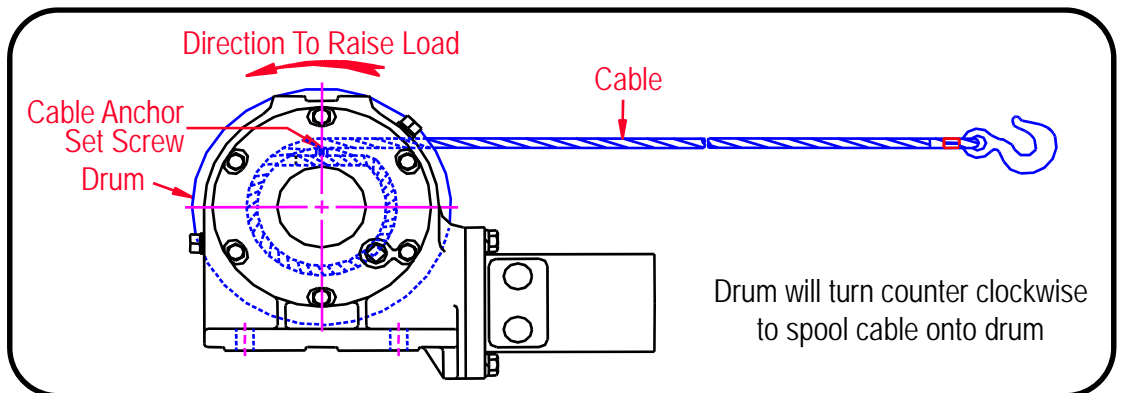
(c) Wire Rope Anchor & Wrapping:

Prepare the end of the wire rope as recommended by the wire rope manufacturer. Pass the free end of the wire rope through the small opening of the cable drum anchor pocket. Lock the cable into the drum by tightening the cable anchor set screw.

PROPER FLEET ANGLE



PROPER WRAPPING OF WIRE ROPE



(d) Automatic Safety Brake:

Some Bloom winches are equipped with an automatic hydraulic brakes to hold suspended loads. If your winch is not equipped with one, it is intended for pulling loads only. If you wish to lift and suspend loads with your winch, it can be retrofitted with a brake. Please consult the factory for details. The safety brake is an important feature of your winch and must be maintained properly. There are two types of brakes used on Bloom winches:

Adjustable Automatic Safety Brake (Drag)

An oil cooled automatic safety brake disengages when a load is lifted and automatically engages when power is removed or the load is lowered.

Automatic Hydraulic Fail-Safe Brake (Spring applied hydraulic release)

Spring applied hydraulic release brake automatically holds load when hydraulic pressure is released. Double counter balance valve adds additional load holding capability by locking hydraulic oil in motor.