

BLOOM™ WINCH



"Quality Since
1910"

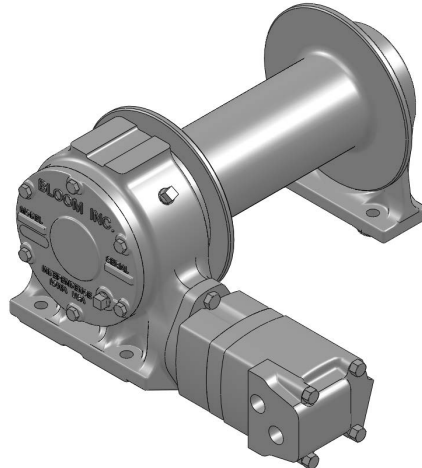
Series 1000 Galv

HYDRAULIC CABLE WINCHES

The rugged construction and versatility of **Series 1000 Galv** makes it adaptable to a wide range of applications. **Series 1000** direct drive winches are used for industrial pulling and dragging applications including rear load waste packers, drill rigs, fishing boats, marine craft.

Series 1000 Galv Base Mount
Shown Low Profile Mount
Available

GALVANIZED



**UP TO 12,000 POUNDS
CAPACITY**

Bloom™ Hydraulic Cable Winches – Standard Features

- | | |
|-------------------|---|
| GEAR CASE | - Made of high strength cast iron. Completely sealed for oil enclosed operation and to keep dirt out. |
| WORM SHAFT | - One piece alloy steel hardened and ground for extra durability. Compact design allows hydraulic motor to be coupled directly to worm. |
| WORM GEAR | - High tensile aluminum-nickel alloy bronze. Optimum lead and pressure angles transmit maximum power to the drum. |
| GEAR RATIO | - 20:1 standard, 10:1, 27:1, 40:1 optional ratios provide optimum efficiency in power and speed. |
| BEARINGS | - Worm gear and worm shaft run on tapered roller bearings. Outer end housing has sealed ball bearing. |
| DRUM SHAFT | - 1-1/2" diameter heat -treated alloy steel minimum tensile strength 150,000 psi. |
| CABLE DRUM | - Tough all steel construction resists breakage or warping. |

CAUTION:

This winch model does not include any kind of holding brake. If your application requires a holding brake choose [Lift-Safe® winch](#) series LS10H or LS10K with automatic hydraulic safety brakes.



www.bloommfg.com

BLOOM

Manufacturing Inc.

Winch Division

"Custom Engineered Solutions"

*Lifting
Pulling
Hoisting*

Toll Free Number: 1-800-394-1139

1443 220th Street,, Independence, Iowa 50644 • FAX: 319-827-1140 • PHONE: 319-827-1139

BLOOM™ WINCH



Series 1000 Galv Model Selection from Performance Data

"Quality Since
1910"

MODEL EXAMPLE: 10-E-L8-20-LP-GALV

Gear Case and
Shaft Designation

10 = Series 1000 Galv with 1-1/2" Drum Shaft

Hydraulic Motor Designation

A, B, C, DD, E, G, 4.9, 6.2, 8.0, 9.6, 11.9

IS Input Shaft

Drum Sizes

S8, L8, XL10, XL12, XL14

Galvanized

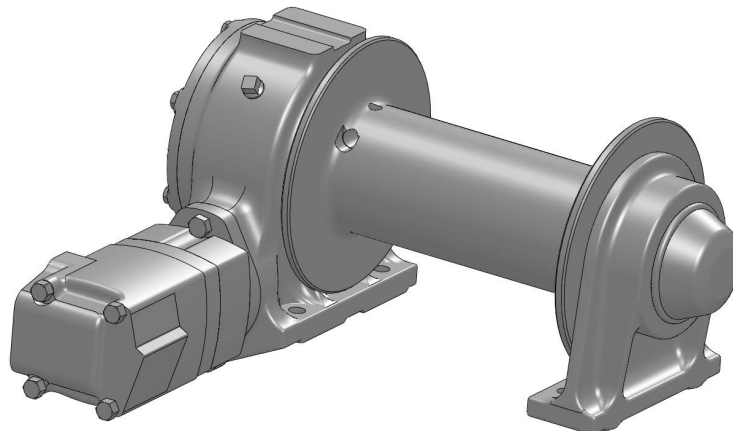
Low Profile Mounting
(specify with or without
mounting angles)

Gear Ratio

10:1, 20:1, 27:1, 40:1

DRUM CAPACITY

CABLE DIAMETER (IN.)	1/4	5/16	3/8	7/16	1/2
DRUM "S8" CAPACITY (FT.)	260	160	105	75	55
DRUM "L8" CAPACITY (FT.)	390	240	160	110	80
DRUM "XL10" CAPACITY (FT.)	840	550	340	250	170
DRUM "XL12" CAPACITY (FT.)	1320	840	580	380	280
DRUM "XL14" CAPACITY (FT.)	1900	1180	760	540	410



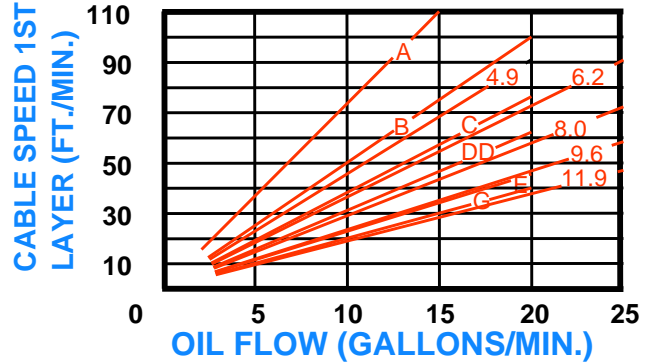
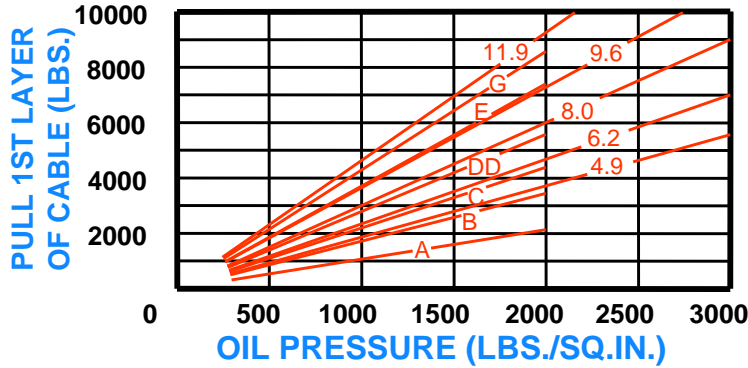
BLOOM™ WINCH



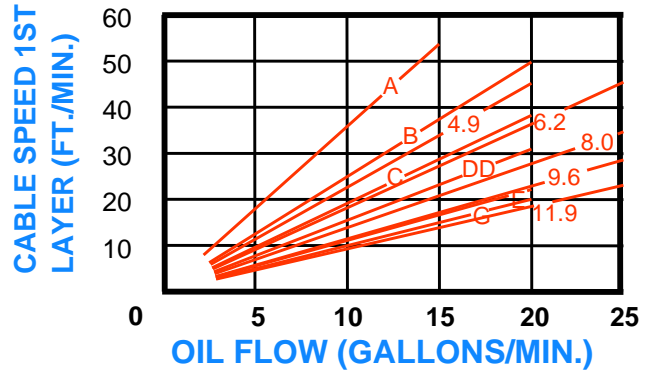
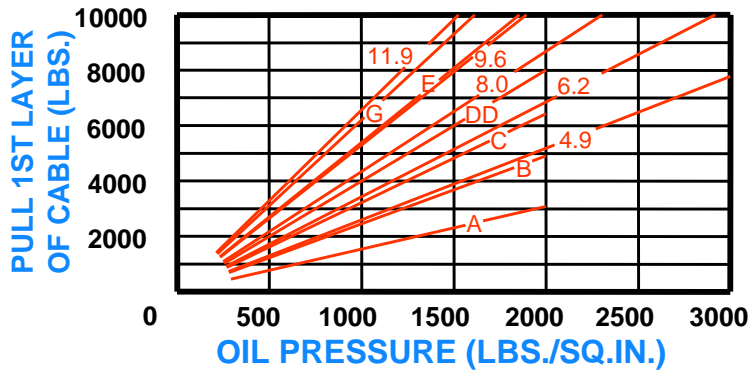
Series 1000 Galv

Model Selection from Performance Data "Quality Since 1910"

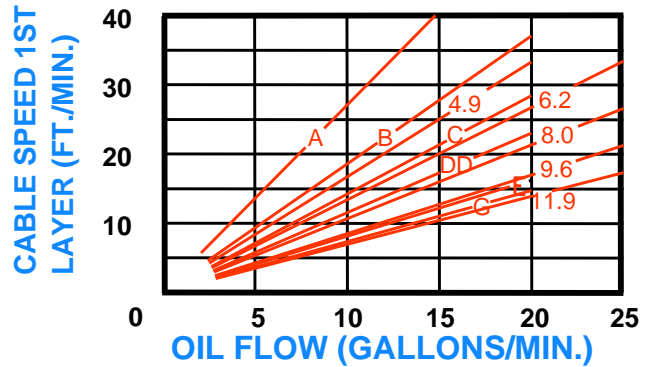
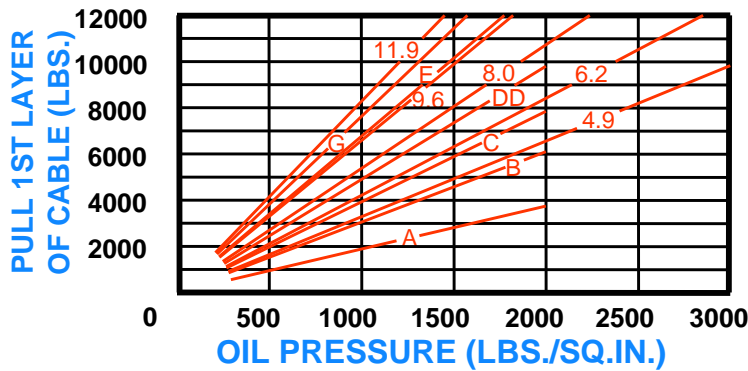
10:1 RATIO (optional)



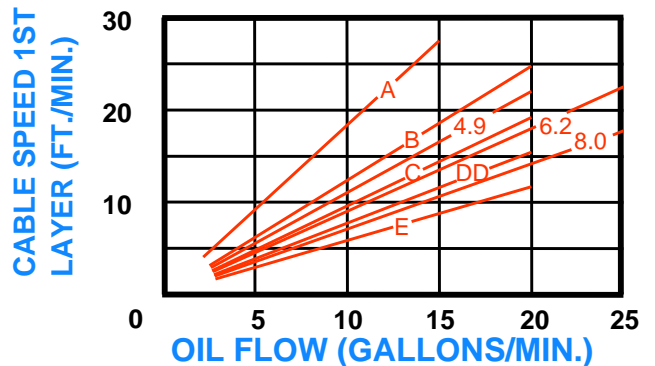
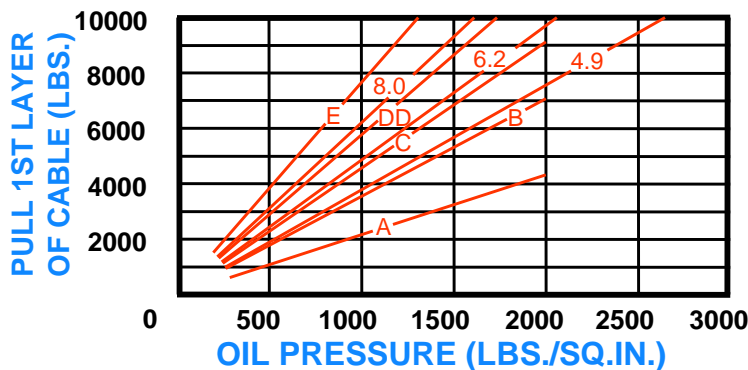
20:1 RATIO (standard)



27:1 RATIO (optional)



40:1 RATIO (optional)



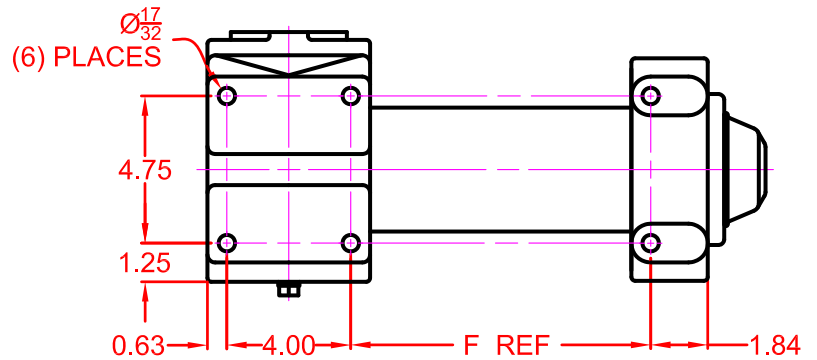
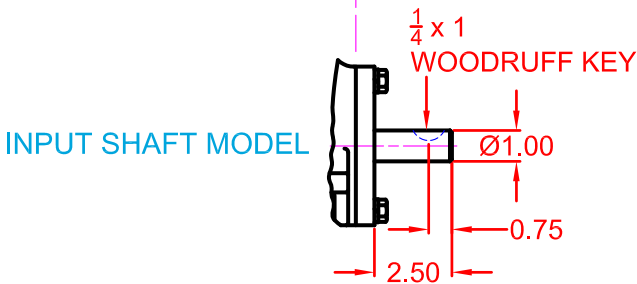
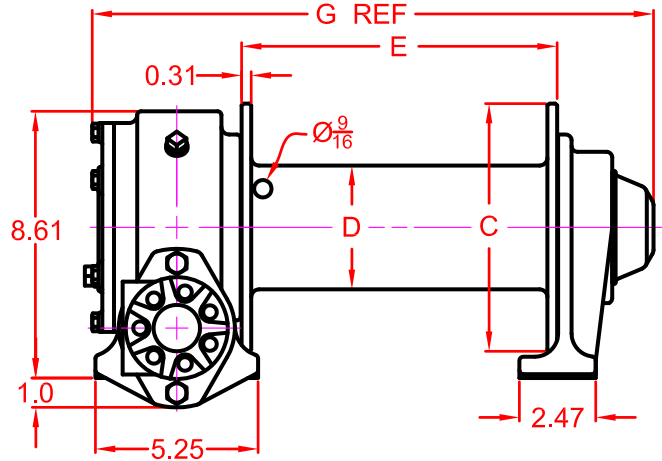
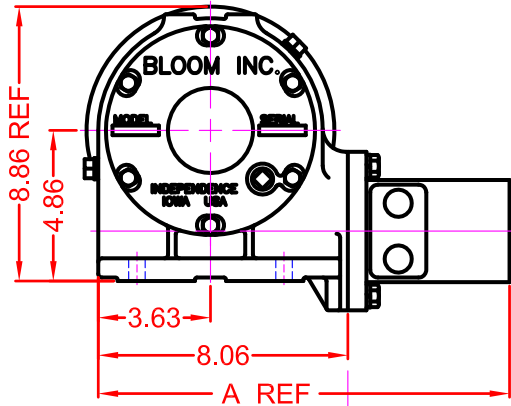


BLOOM™ WINCH

Dimensional Drawings

“Quality Since
1910”

Series 1000 Galv K JH S8 and L8 Drum
Base Mount Model - Direct Drive



MOTOR DESIGNATION	A	B	C	DD	E	G	4.9	6.2	8.0	9.6	11.9
A DIMENSION	13.28	13.43	13.55	13.68	13.90	14.03	15.32	15.50	15.75	15.75	16.02

DRUM DESIGNATION	WINCH DIMENSION				
	C	D	E	F	G
S8	8	4	7.19	6.69	15.13
L8	8	4	10.19	9.69	18.13

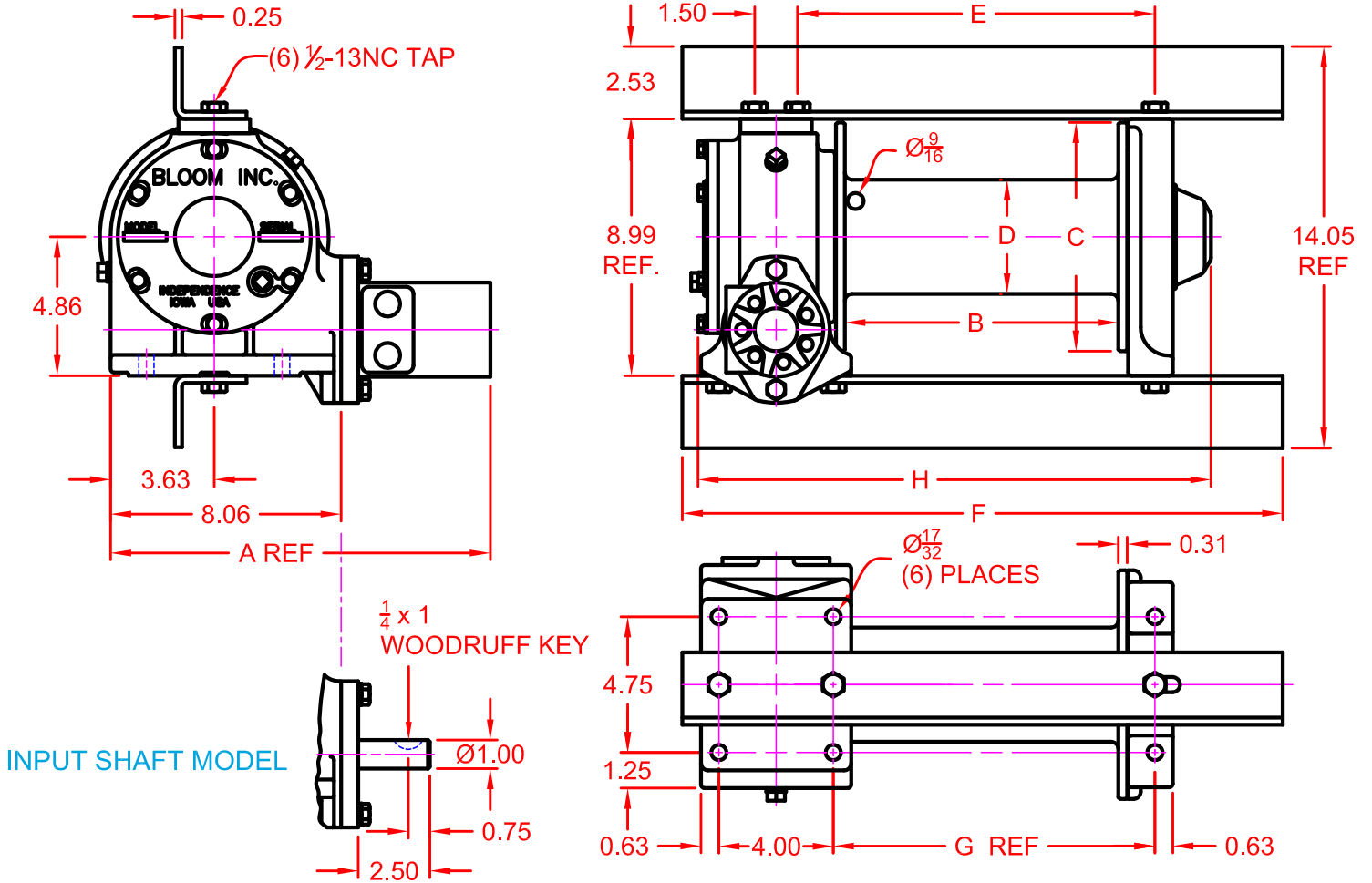


BLOOM™ WINCH

Dimensional Drawings

“Quality Since
1910”

Series 1000 Galv K JH S8 and L8
Drum Low Profile Model - Direct Drive



MOTOR DESIGNATION	A	B	C	DD	E	G	4.9	6.2	8.0	9.6	11.9
A DIMENSION	13.28	13.43	13.55	13.68	13.90	14.03	15.32	15.50	15.75	15.75	16.02

DRUM DESIGNATION	WINCH DIMENSION						
	B	C	D	E	F	G	H
S8	6.56	8	4	9.50	18	8.25	14.94
L8	9.56	8	4	12.50	21	11.25	17.94

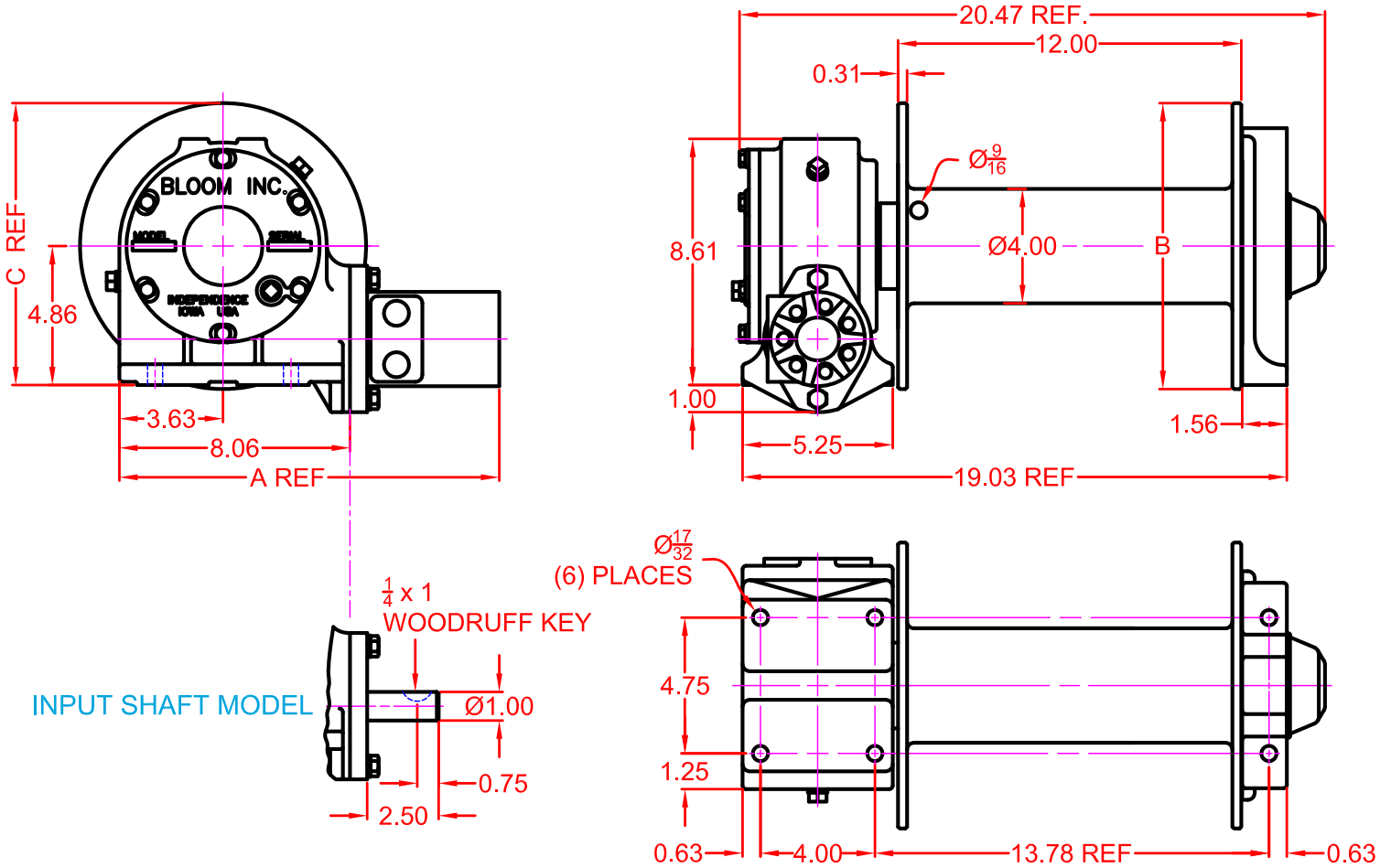


BLOOM™ WINCH

Dimensional Drawings

“Quality Since
1910”

Series 1000 Galv K JH XL10, XL12 and XL14
Drum Base Mount Model - Direct Drive



MOTOR DESIGNATION	A	B	C	DD	E	G	4.9	6.2	8.0	9.6	11.9
A DIMENSION	13.28	13.43	13.55	13.68	13.90	14.03	15.32	15.50	15.75	15.75	16.02
DRUM DESIGNATION	XL10			XL12			XL14				
B DIMENSION	10			12			14				
C DIMENSION	9.86			10.86			11.86				

BLOOM™ WINCH

Correct choice of Directional Control Valves for Bloom Winches

Tandem Center Spool Valve – Work Ports are **blocked** in neutral position

Use on all winches that use motor only to hold load.

*Winches require ridged mounting plate.
See owner's manual for information about proper mounting plate thickness or call Bloom Sales Engineer at factory

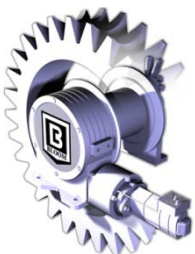
WARNING!

Goods are not intended for use in the moving or lifting of persons!

The winches described herein are neither designed nor intended for use or application to equipment used in the lifting or moving of persons and it is understood that all such use shall be at the sole risk of the user.

The cable clamps on winches are not designed to hold rated loads. A minimum of 5 wraps of cable must be left on drum barrel to guarantee holding of rated load.

Applications of winch where life would be endangered by any event are not recommended.



BLOOM Manufacturing Inc. **Winch Division**

1443 220th Street,, Independence, Iowa 50644

FAX 319-827-1140 PHONE 319-827-1139