



Refer to parts breakdown drawing

- 1) Drain oil from gear case.
- 2) Loosen set screw (Ref. 39) in eccentric collar, then turn collar (Ref. 40) counter-clockwise with punch to release it from drum shaft (Ref. 24).
- 3) Remove end housing (direct drive Ref. 36) from drum shaft (Ref. 24). If replacement of bushing is required, press bronze bushing out of end housing and remove grease zerk.
- 4) Remove drum (Ref. 16), keys (Ref. 25) and spacer (Ref. 15) from drum shaft (Ref. 24).
- 5) Remove cover (Ref. 13) from gear case (Ref. 11).
- 6) Remove motor (Ref. 2) from planetary gear box (Ref. 8)
- 7) Carefully remove planetary gear box (Ref. 8) from gear case (Ref. 11).
- 8) Remove retaining rings (Ref. 12 & 95) from drum shaft (Ref. 24).
- 9) Remove drum shaft (Ref. 24) from gear case (Ref. 11).
- 10) Remove ball bearings (Ref. 10) from gear case (Ref. 11).

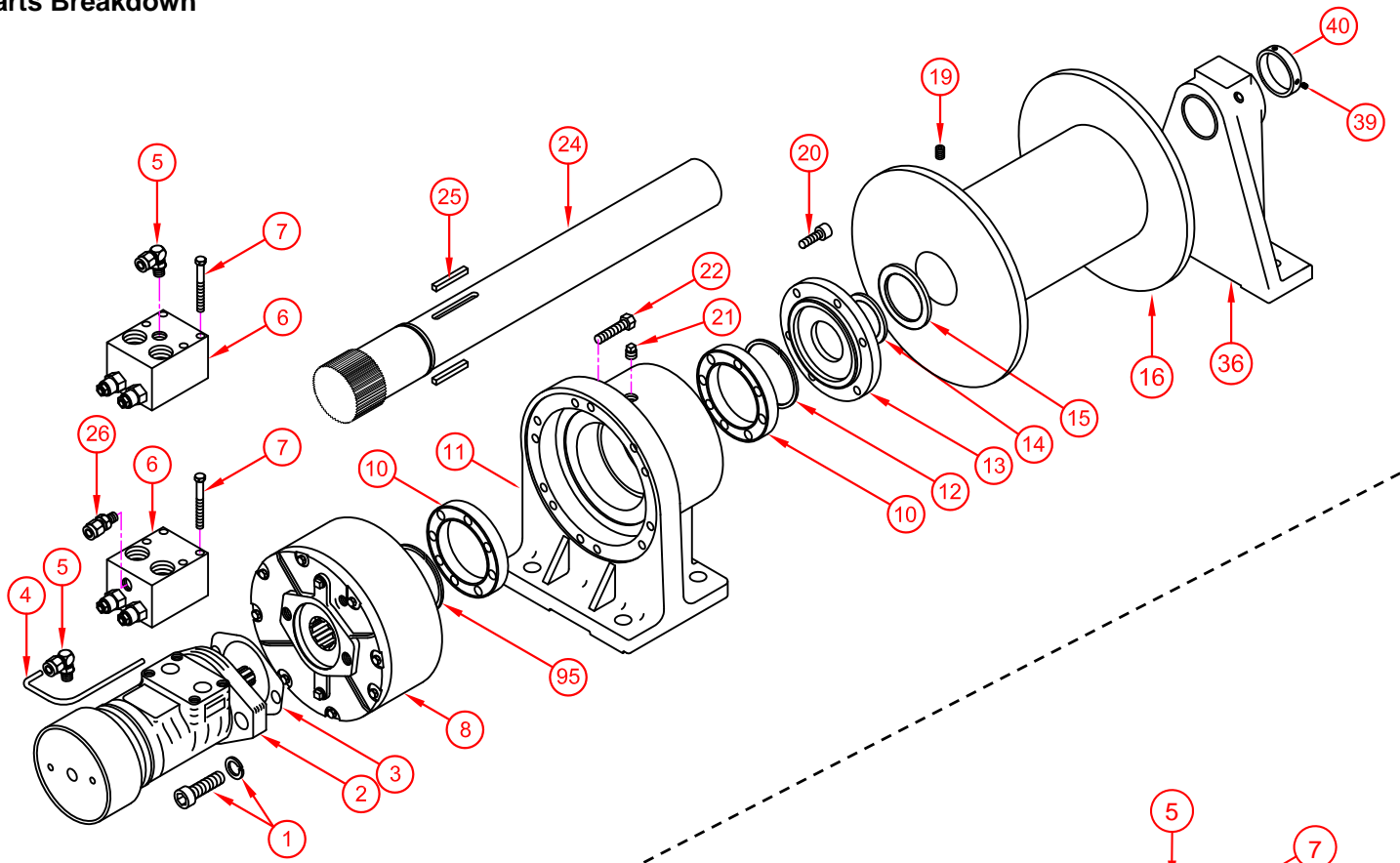
Assembly Instructions LS21H, LS22H & LS23H Series Planetary Winches

Refer to parts breakdown drawing

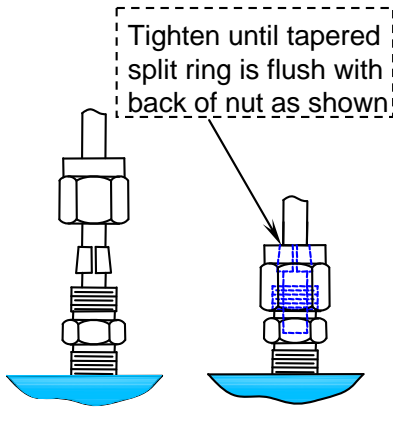
- 1) Clean gear case and all parts thoroughly, inspect all parts and replace if worn or scored.
- 2) Install ball bearings (Ref. 10) into gear case (Ref. 11).
- 3) Install drum shaft (Ref. 24) onto gear case and install retaining rings (Ref. 12 & 95) onto drum shaft (Ref. 24)
- 4) Use silicon (form a gasket) onto gear case (planetary gear box side) (Ref. 11).
Then carefully install planetary gear box (Ref. 8) onto gear case (Ref. 11) with (16) 3/8"-24NF x 2" Hex Head Cap Screws (Ref. 22). (being sure tighten the screws evenly)
- 5) If removed, install oil seal (Ref. 15) onto cover (Ref. 14).
- 6) Use silicon (form a gasket) onto gear case (Ref. 11) (gear case cover side).
Then install cover (Ref. 13) onto gear case (Ref. 11) with (6) 3/8"-16UNC x 1" Socket Head Cap Screws (Ref. 20).
(being sure tighten the screws evenly)
- 7) Install spacer (Ref. 15) onto drum shaft (Ref. 24).
- 8) Install keys (Ref. 25) in drum shaft (Ref. 24). Grease drum shaft (Ref. 24) with multi-purpose lithium grease or equivalent and install drum (Ref. 16).
- 9) If bronze bushing in end housing has been removed, press in new bushing. Hone inside diameter of bushing to 2.252 - 2.253". Place drill in grease zerk hole and drill a 1/4" hole through bushing. Install grease zerk.
- 10) Install end housing (Ref. 36) on drum shaft (Ref. 24). Leave about 1/16" clearance between drum and end housing. Place locking collar (Ref. 40) against end housing and tighten set screws (Ref. 39).
- 11) Apply Loctite brand Quickstix 548 flange sealant to planetary gear box flange (Ref. 8) and motor flange (Ref. 2).
Apply silicon to Socket Head Cap Screw threads (Ref. 1). Install motor (Ref. 2) onto planetary gear box (Ref. 8) using Paper Gasket (Ref. 3) and (2) 1/2"-13UNC x 1-1/4" Socket Head Cap Screws (Ref. 1). Torque to 55 ft-lbs.
Do Not Exceed 55 ft-lbs Torque
- 12) If removed, align both ends of hydraulic tube (Ref. 4) to the ports (Ref. 5 & 26 if Sun valve installed). Push hydraulic tube (Ref. 4) into installed fitting body (Ref. 5 & 5 if Eaton valve installed) on motor (Ref. 2) and valve (Ref. 6) until it stops. Fasten nuts and tapered split rings to fittings. Turn nuts hand tight, then with wrench tighten one turn or until rear of tapered split ring is flush with the nut. Do Not Overtighten.
- 13) Fill gear box with (4) pints (1.9 liters) Bloom ULLTRA-LUBE NO. 601 TRANS-WORM GEAR OIL.

Bloom Manufacturing Inc.

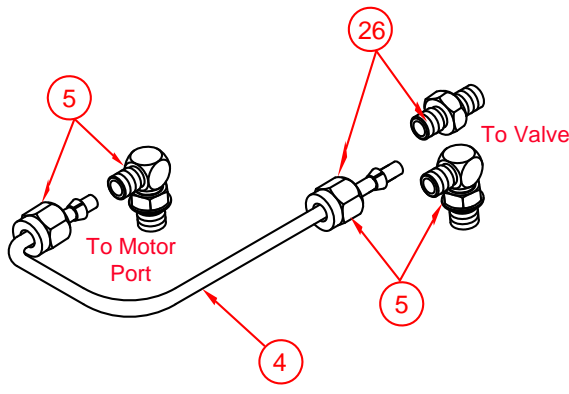
Parts Breakdown



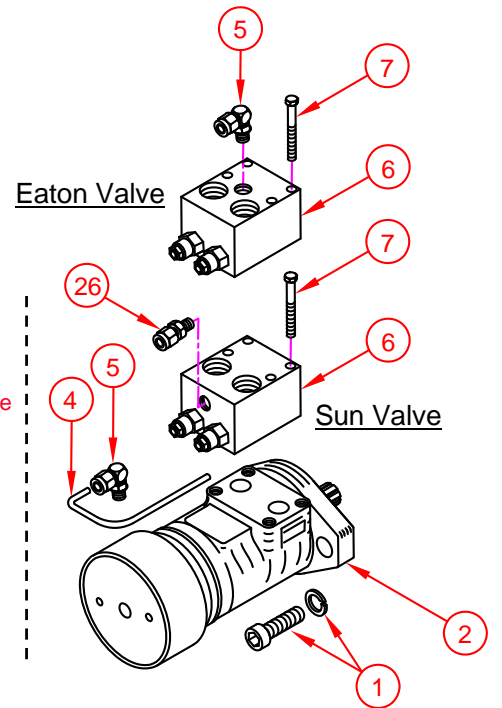
**Hydraulic line assembly
(Ref. 2, 4, 5, 6 & 26)**



Tapered Split Rings



Hydraulic Tube & Fittings



Shown parts breakdown of planetary gearbox (Ref. 8)

