

# BLOOM™ WINCH

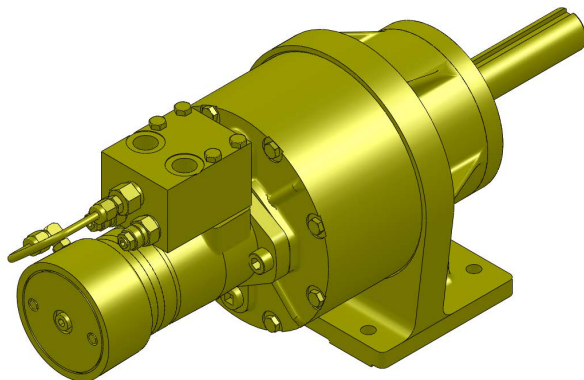


## Series 2000H

### *Hydraulic Speed Reducer*

*"Quality Since  
1910"*

The rugged construction and versatility of the Series **2000H Speed Reducer** is ideal for stationary & mobile applications where high speed, high torque, or variable speed and reversing are needed. Applications include paving and curb forming, ditching, irrigation and plastic and extruding equipment.



**Powerful – Compact  
Efficient**

Up To 24,000  
In.-lbs. Output

## Bloom™ Hydraulic Speed Reducers – Standard Features

- MOTOR-BRAKE** - **DUET-SAFE® Double Action Braking System** combines a powerful spring applied, hydraulic released motor-brake with a double counter balance brake valve to automatically hold loads when hydraulic pressure is released and control speed during lowering operations. Speed Reducer is ideal for high speed lifting and pulling applications or wherever load holding is critical.
- GEAR CASE** - Made of high strength steel. Completely sealed for oil enclosed operation and to keep dirt out.
- PLANETARY GEAR** - High Efficiency Double Reduction – Rugged – Built to Last.
- GEAR RATIO** - 17:1 Standard.
- BEARINGS** - Shaft is supported by two heavy duty oil lubricated bearings in gear case.
- OUTPUT SHAFT** - 1-1/2" diameter heat -treated alloy steel minimum tensile strength 150,000 psi.



# BLOOM

Manufacturing Inc.

Winch Division

*Lifting  
Pulling  
Hoisting*

Toll Free Number: 1-800-394-1139

[www.bloommfg.com](http://www.bloommfg.com)

**"Custom Engineered Solutions"**

1443 220<sup>th</sup> Street,, Independence, Iowa 50644 • FAX: 319-827-1140 • PHONE: 319-827-1139

# BLOOM™ WINCH



*"Quality Since  
1910"*

## Series 2000H Speed Reducer Model Selection from Performance Data

**MODEL EXAMPLE: 20H-3.0T-SR-17**

Gear Case and

Shaft Designation

20H = Series 2000H with 1-1/2" Output Shaft only

Hydraulic Motor Designation

3.0T, 6.2T

Speed Reducer

Gear Ratio

17:1

# BLOOM™ WINCH



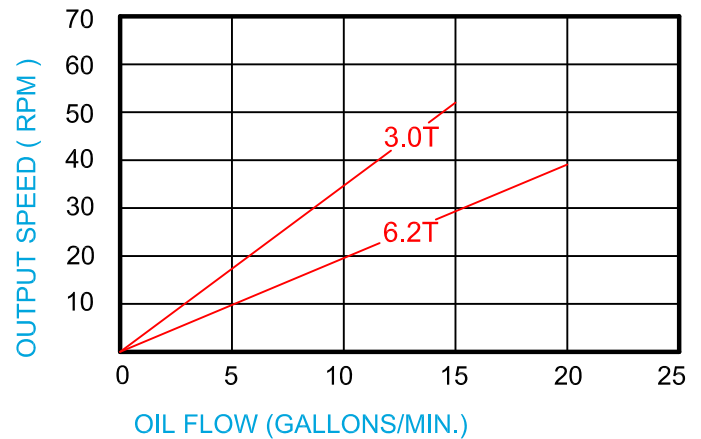
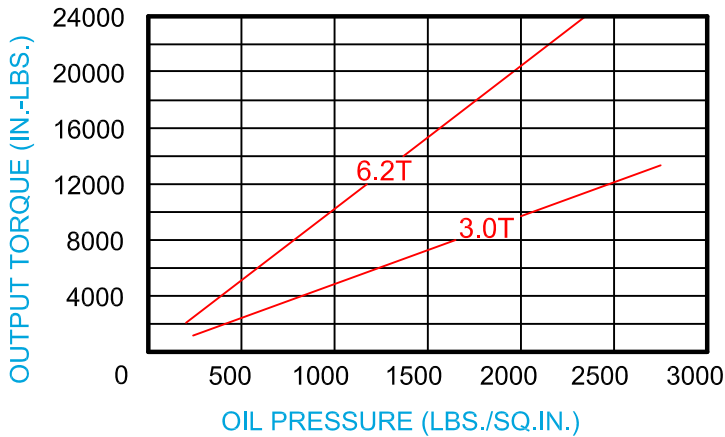
"Quality Since  
1910"

## Series 2000H Speed Reducer

Bloom Hydraulic Speed Reducers

Model Selection from Performance Data

17:1 RATIO



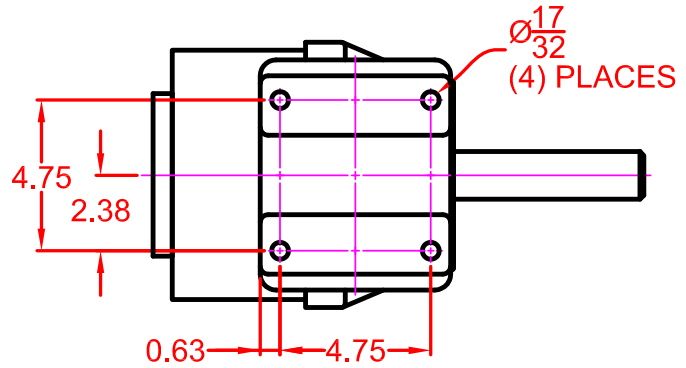
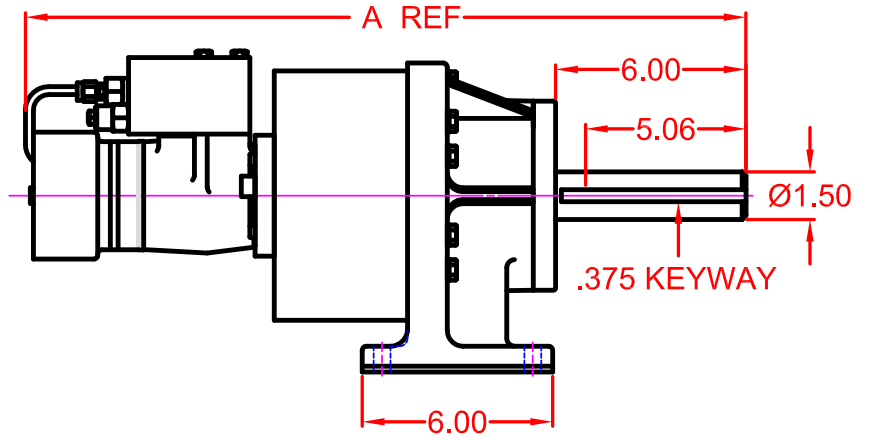
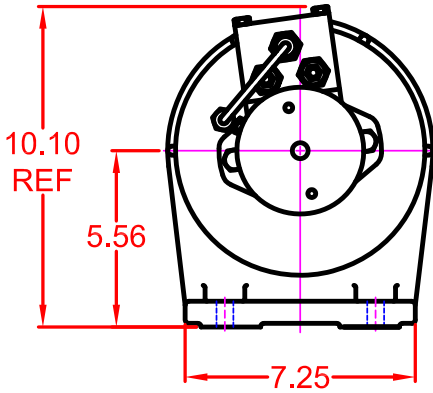
# BLOOM™ WINCH

## Dimensional Drawings



Series 2000H Speed Reducer

"Quality Since 1910"



MOTOR DESIGNATION	3.0T	6.2T
A DIMENSION	22.70	23.08

# BLOOM™ WINCH



*"Quality Since  
1910"*

**Motor Spool Valve** - Work Ports are **open** to tank in neutral position  
Use on all speed reducers that use Counter-Balance Valves to hold load.

\*Speed Reducers require ridged mounting plate.  
See owner's manual for information about proper mounting  
plate thickness or call Bloom Sales Engineer at factory

## **WARNING!**

Goods are not intended for use in the moving or lifting of  
persons!

The winches described herein are neither designed nor intended  
for use or application to equipment used in the lifting or moving of  
persons and it is understood that all such use shall be at the sole  
risk of the user.

The cable clamps on winches are not designed to hold rated  
loads. A minimum of 5 wraps of cable must be left on drum barrel  
to guarantee holding of rated load.

Applications of winch where life would be endangered by any  
event are not recommended.



## **BLOOM Manufacturing Inc.** **Winch Division**

1443 220<sup>th</sup> Street,, Independence, Iowa 50644

FAX 319-827-1140 PHONE 319-827-1139

[www.bloommfg.com](http://www.bloommfg.com)

© Copyright 2010 Bloom Mfg. Inc.

RV7/2001