

# BLOOM™ WINCH



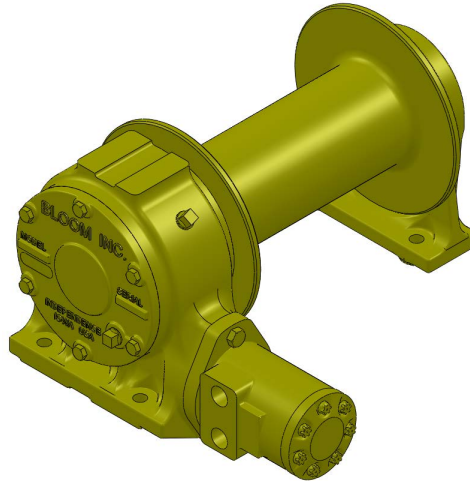
"Quality Since  
1910"

## Series 800

### HYDRAULIC CABLE WINCHES

The rugged construction and versatility of **Series 800** makes it adaptable to a wide range of applications. **Series 800** direct drive winches are used for industrial pulling and dragging applications including rear load waste packers, drill rigs, fishing boats and marine craft.

Series 800 Base Mount Shown  
Low Profile Mount Available



UP TO 8,000 POUNDS  
CAPACITY

## Bloom™ Hydraulic Cable Winches – Standard Features

- |                   |   |
|-------------------|---|
| <b>GEAR CASE</b>  | - Made of high strength cast iron. Completely sealed for oil enclosed operation and to keep dirt out.             |
| <b>WORM SHAFT</b> | - One piece alloy steel hardened and ground for extra durability.   |
| <b>WORM GEAR</b>  | - High tensile aluminum-nickel alloy bronze. Optimum lead and pressure angles transmit maximum power to the drum. |
| <b>GEAR RATIO</b> | - 20:1 standard, and 10:1 optional ratios provide optimum efficiency in power and speed.                          |
| <b>BEARINGS</b>   | - Worm and drum shaft run on tapered roller bearings. Outer end housing has a sealed ball bearing.                |
| <b>DRUM SHAFT</b> | - 1-1/4" diameter heat-treated alloy steel minimum tensile strength 150,000 psi.                                  |
| <b>CABLE DRUM</b> | - Tough all steel construction resists breakage or warping.   |

**CAUTION:**

This winch model does not include any kind of holding brake. If your application requires a holding brake choose [Lift-Safe®](#) winch series LS8H with automatic hydraulic safety brakes.



[www.bloommfg.com](http://www.bloommfg.com)

# BLOOM

Manufacturing Inc.

Winch Division

Lifting  
Pulling  
Hoisting

Toll Free Number: 1-800-394-1139

**"Custom Engineered Solutions"**

1443 220<sup>th</sup> Street, Independence, Iowa 50644 • FAX: 319-827-1140 • PHONE: 319-827-1139

# BLOOM™ WINCH



"Quality Since  
1910"

## Series 800 Model Selection from Performance Data

MODEL EXAMPLE: 8-B-L8-20-LP

Gear Case and  
Shaft Designation

8 = Series 800 with 1-1/4" Drum Shaft

Hydraulic Motor Designation

A, B, C, DD

IS Input Shaft

Drum Sizes

S, S8, L, L8

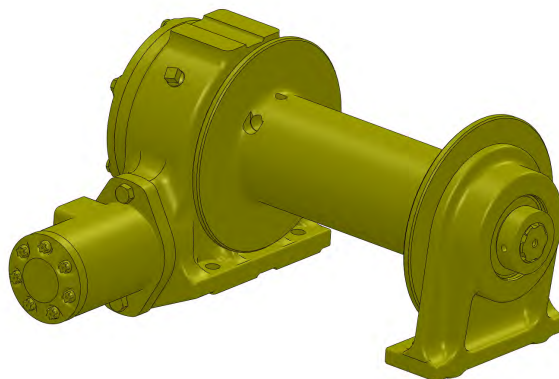
Low Profile Mounting  
(specify with or without  
mounting angles)

Gear Ratio

10:1, 20:1

### DRUM CAPACITY

CABLE DIAMETER (IN.)	1/4	5/16	3/8	7/16	1/2
DRUM "S" CAPACITY (FT.)	120	70	45	30	25
DRUM "S8" CAPACITY (FT.)	260	160	105	75	55
DRUM "L" CAPACITY (FT.)	175	105	65	45	30
DRUM "L8" CAPACITY (FT.)	390	240	160	110	80



# BLOOM™ WINCH



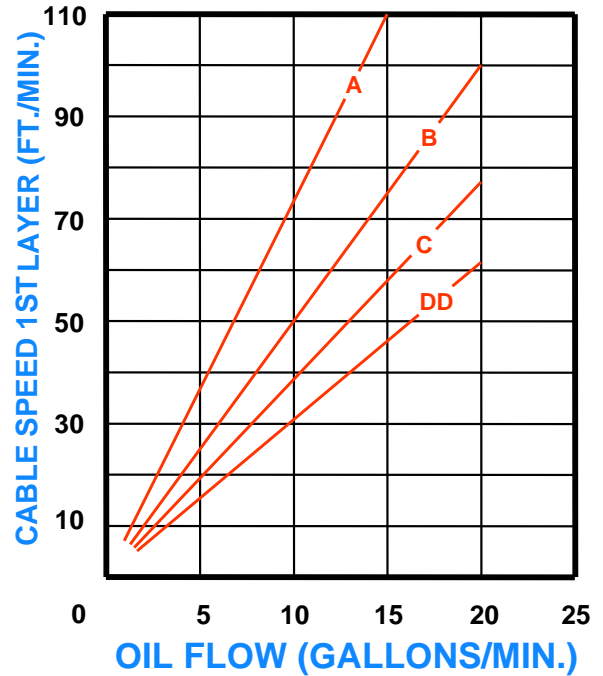
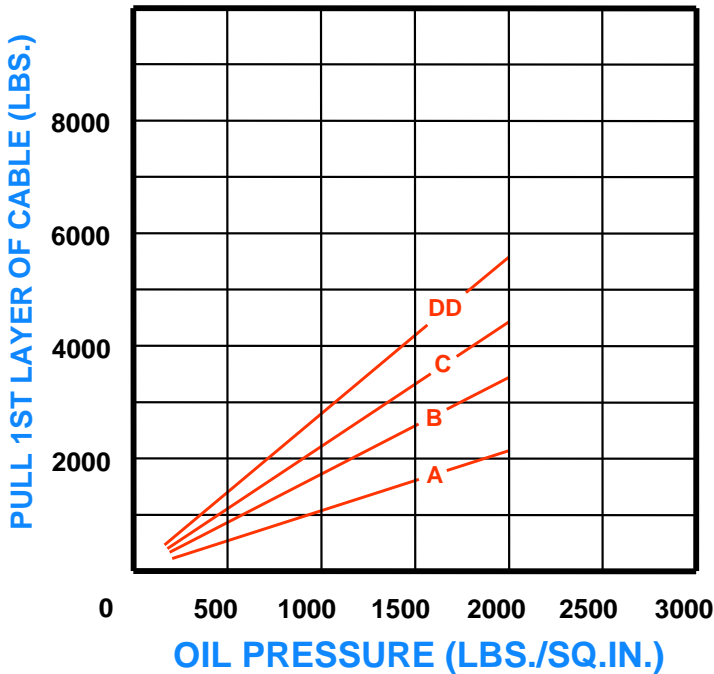
"Quality Since  
1910"

## Series 800

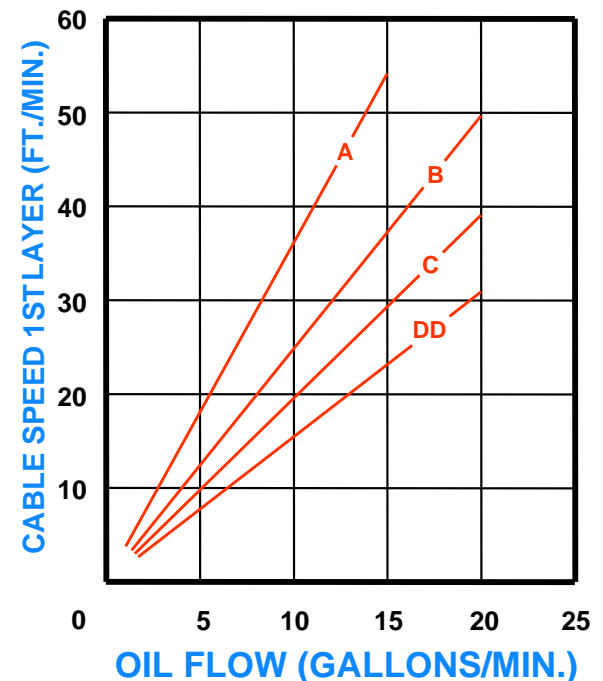
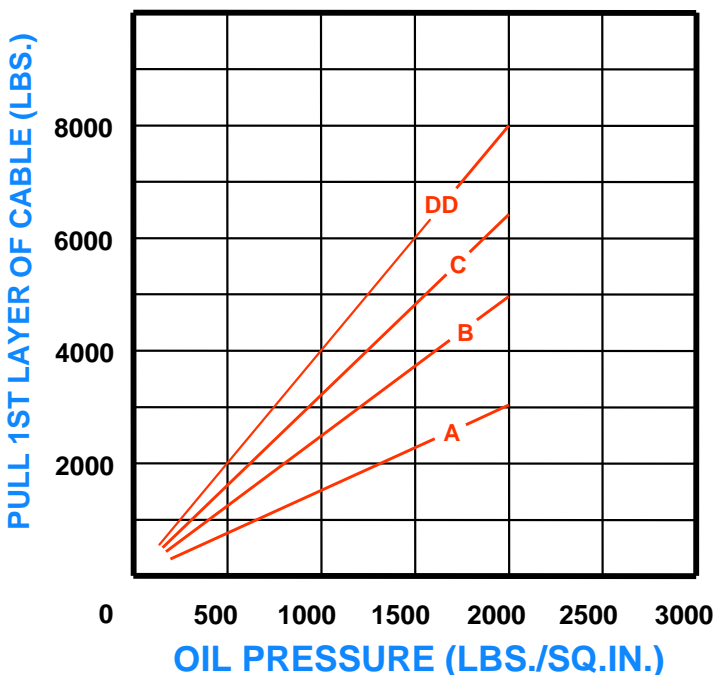
### Bloom Hydraulic Cable Winches

### Model Selection from Performance Data

10:1 RATIO (optional)



20:1 RATIO (standard)



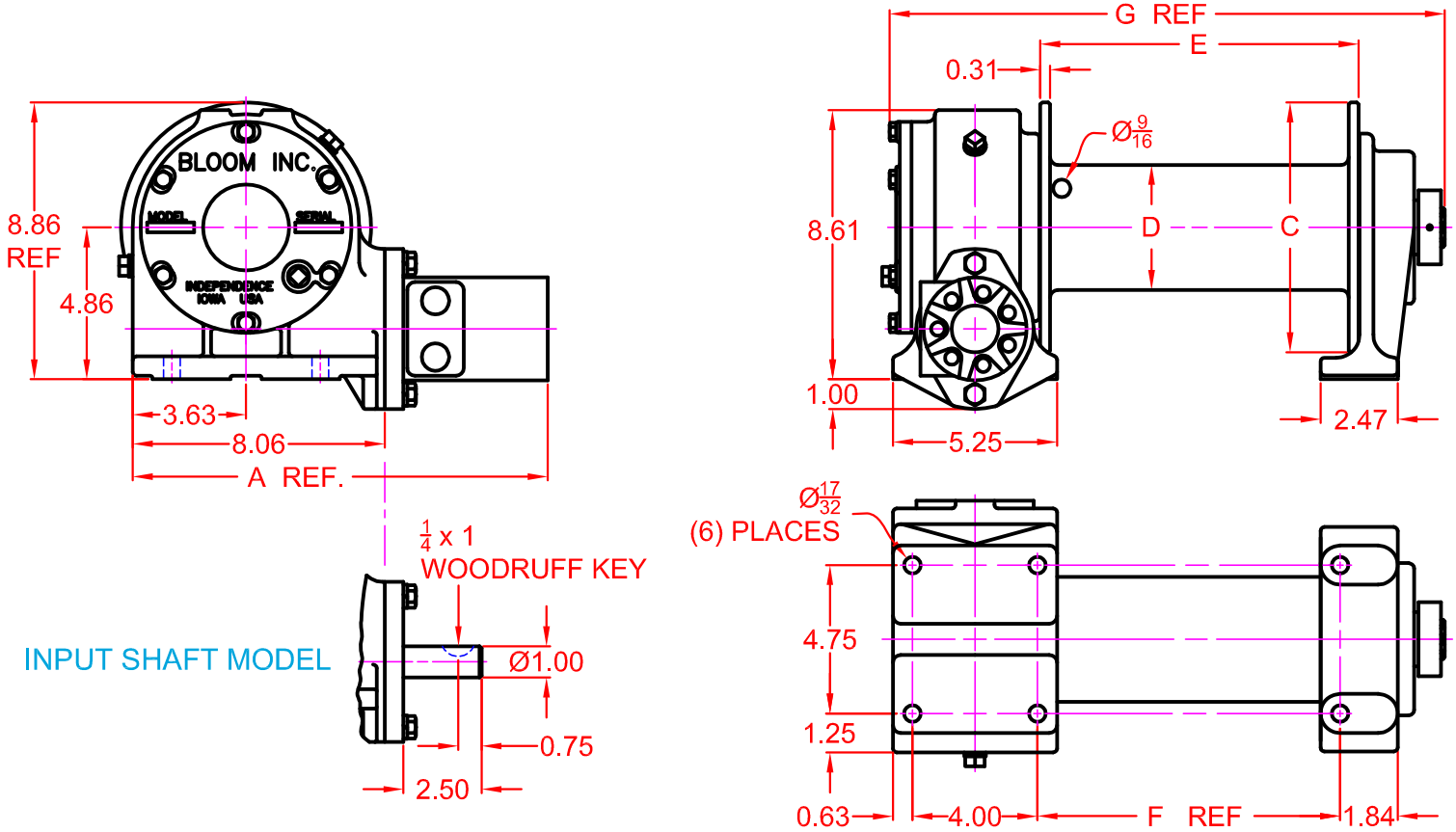


# BLOOM™ WINCH

## Dimensional Drawings

“Quality Since  
1910”

Series 800 K JH G, S8, L and L8 Drum  
Base Mount Model - Direct Drive



MOTOR DESIGNATION	A	B	C	DD
A DIMENSION	13.28	13.43	13.55	13.68

DESIGNATION	WINCH DIMENSION				
	C	D	E	F	G
S	6	3.50	7.19	6.69	14.50
S8	8	4	7.19	6.69	14.50
L	6	3.50	10.19	9.69	17.50
L8	8	4	10.19	9.69	17.50

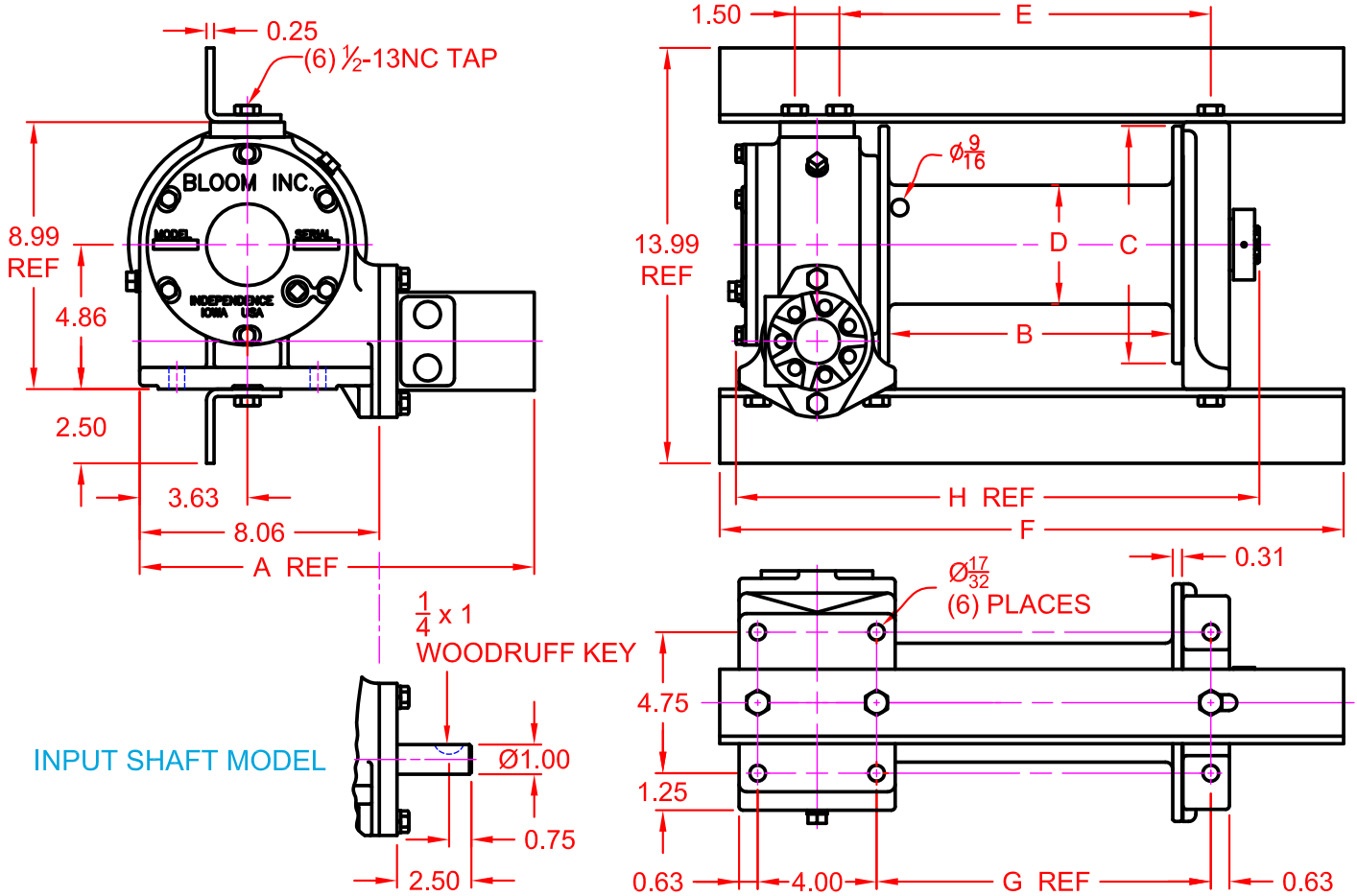


# BLOOM™ WINCH

## Dimensional Drawings

“Quality Since  
1910”

Series 800 K JH G, S8, L and L8 Drum  
Low Profile Model - Direct Drive



MOTOR DESIGNATION	A	B	C	DD
A DIMENSION	13.28	13.43	13.55	13.68

DRUM DESIGNATION	WINCH DIMENSION						
	B	C	D	E	F	G	H
S	6.56	6	3.50	9.50	18.00	8.25	14.50
S8	6.56	8	4	9.50	18.00	8.25	14.50
L	9.56	6	3.50	12.50	21.00	11.25	17.50
L8	9.56	8	4	12.50	21.00	11.25	17.50

# **BLOOM™ WINCH**

## **800 SERIES MODEL SELECTION**

### **A MOTOR**

8-A-S

8-A-S8

8-A-L

8-A-L8

### **B MOTOR**

8-B-S

8-B-S8

8-B-L

8-B-L8

### **C MOTOR**

8-C-S

8-C-S8

8-C-L

8-C-L8

### **DD MOTOR**

8-DD-S

8-DD-S8

8-DD-L

8-DD-L8

# **BLOOM™ WINCH**

## Correct choice of Directional Control Valves for Bloom Winches

**Tandem Center Spool Valve** – Work Ports are **blocked** in neutral position

Use on all winches that use motor only to hold load.

\*Winches require ridged mounting plate.  
See owner's manual for information about proper mounting plate thickness or call Bloom Sales Engineer at factory

### **WARNING!**

Goods are not intended for use in the moving or lifting of persons!

The winches described herein are neither designed nor intended for use or application to equipment used in the lifting or moving of persons and it is understood that all such use shall be at the sole risk of the user.

The cable clamps on winches are not designed to hold rated loads. A minimum of 5 wraps of cable must be left on drum barrel to guarantee holding of rated load.

Applications of winch where life would be endangered by any event are not recommended.



## **BLOOM Manufacturing Inc.** **Winch Division**

1443 220<sup>th</sup> Street,, Independence, Iowa 50644

FAX 319-827-1140 PHONE 319-827-1139

[www.bloommfg.com](http://www.bloommfg.com)

©Copyright 2015 Bloom Mfg. Inc.