

# BLOOM™ WINCH



"Quality Since  
1910"

## Series 2000H

### Hydraulic Capstan Winches



**Fast Dependable  
Bloom Winches**

**A Pull Above  
the Rest**

## Bloom™ Hydraulic Capstan Winches – Standard Features

- MOTOR-BRAKE** - **DUET-SAFE® Double Action Braking System** combines a powerful spring applied, hydraulic released motor-brake with a double counter balance brake valve to automatically hold loads when hydraulic pressure is released and control speed during lowering operations. Capstan is ideal for high speed lifting and pulling applications or wherever load holding is critical.
- GEAR CASE** - Made of high strength steel. Completely sealed for oil enclosed operation and to keep dirt out.
- PLANETARY GEAR** - High Efficiency Double Reduction – Rugged – Built to Last.
- GEAR RATIO** - 17:1 Standard.
- BEARINGS** - Shaft is supported by two heavy duty oil lubricated bearings in gear case.
- OUTPUT SHAFT** - 1-1/2" diameter heat -treated alloy steel minimum tensile strength 150,000 psi.
- CAPSTAN** - Cast aluminum - keyed to shaft.



[www.bloommfg.com](http://www.bloommfg.com)

# BLOOM

Manufacturing Inc.

Winch Division

**"Custom Engineered Solutions"**

**Lifting  
Pulling  
Hoisting**

Toll Free Number: 1-800-394-1139

1443 220<sup>th</sup> Street,, Independence, Iowa 50644 • FAX: 319-827-1140 • PHONE: 319-827-1139

# **BLOOM™ WINCH**



*“Quality Since  
1910”*

## **Series 2000H**

### ***Hydraulic Capstan Winches***

## **Industry Applications**

**Utility** - Series 2000H is specifically designed to handle the daily needs of the utility industry

**Fishing & Marine** – The Series 2000H provides optimum performance in marine applications and environments. Bloom Capstan Winches are commonly used as pot and net haulers, and for dock and barge applications



### **Galvanized 2000H Series Capstan Models Available**

#### **MODEL 20H-3.0T-SR-CAP-17**

17:1 RATIO. Pulls 6,000 pounds at 65 feet per minute.

#### **MODEL 20H-3.0T-SR-CAP-17-GALV**

17:1 RATIO. Pulls 6,000 pounds at 65 feet per minute.

Based at 2600 PSI And 15 GPM

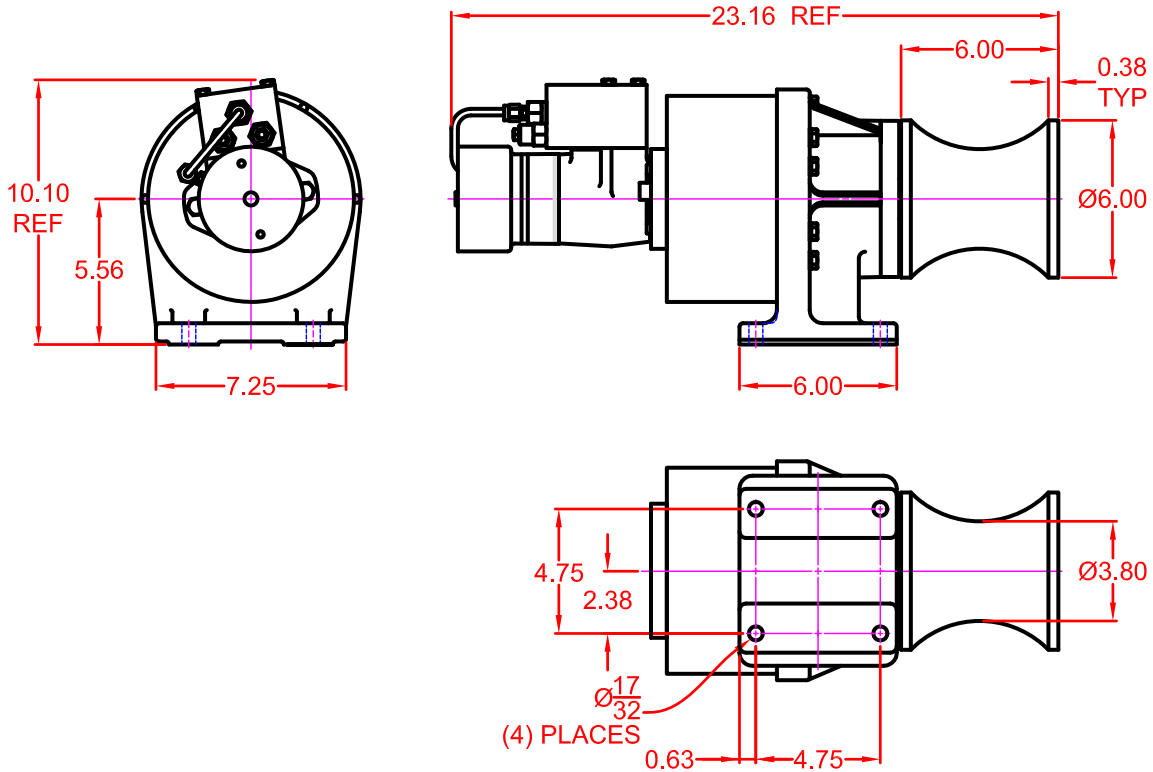
# BLOOM™ WINCH



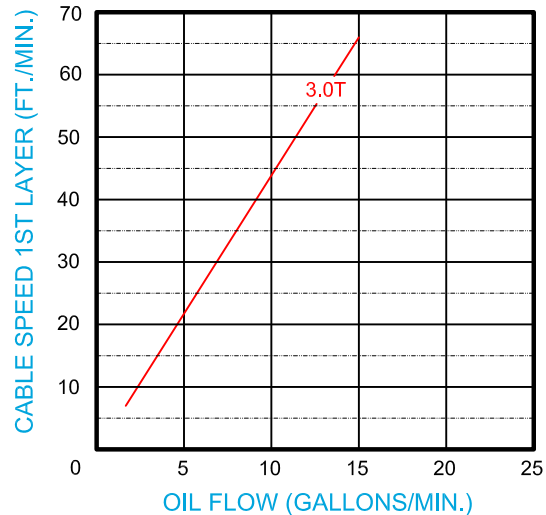
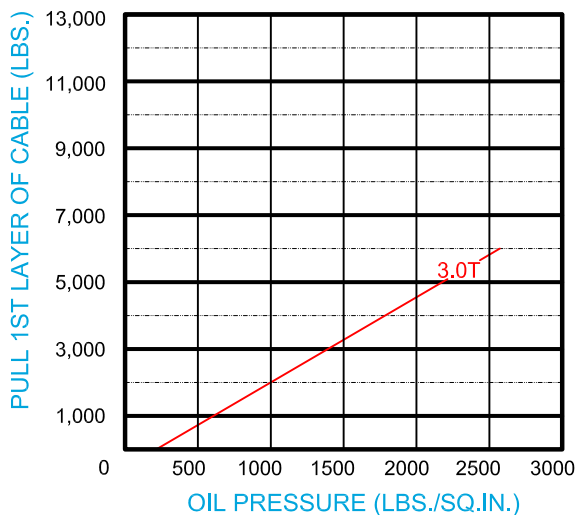
## Dimensional Drawings

Series 2000H Capstan

"Quality Since 1910"



### 17:1 RATIO



# **BLOOM™ WINCH**

## Correct choice of Directional Control Valves for Bloom Winches

**Tandem Center Spool Valve** – Work Ports are **blocked** in neutral position

Use on all capstans that use motor only to hold load.

\*Capstans require ridged mounting plate.  
See owner's manual for information about proper mounting plate thickness or call Bloom Sales Engineer at factory

### **WARNING!**

Goods are not intended for use in the moving or lifting of persons!

The winches described herein are neither designed nor intended for use or application to equipment used in the lifting or moving of persons and it is understood that all such use shall be at the sole risk of the user.

The cable clamps on winches are not designed to hold rated loads. A minimum of 5 wraps of cable must be left on drum barrel to guarantee holding of rated load.

Applications of winch where life would be endangered by any event are not recommended.



## **BLOOM Manufacturing Inc.**

### Winch Division

1443 220<sup>th</sup> Street,, Independence, Iowa 50644

FAX 319-827-1140 PHONE 319-827-1139

[www.bloommfg.com](http://www.bloommfg.com)