

Series 2000HC

HYDRAULIC PLANETARY CABLE WINCHES



*"Quality Since
1910"*

The rugged construction and versatility of the **2000HC Series** makes it adaptable to a wide range of applications. The **2000HC Series** winch is equipped with a sliding clutch to allow free-spooling of the drum for pulling applications including factory material handling, mining and logging equipment, flat bed trailers, air freight pullers, off the road tractors and rear of cab and front mounting on ½ to 1 ½ ton trucks. The 2000HC Series is standard with Fail-Safe Brake.

**UP TO 12,800 LBS.
CAPACITY**



Bloom Hydraulic Cable Winches – Standard Features

- GEAR CASE** - Made of high strength cast iron and steel. Completely sealed for oil enclosed operation and to keep dirt out.
- PLANETARY GEAR** - High Efficiency Double Reduction – Rugged - Built to Last.
- GEAR RATIO** - 17:1 standard.
- BEARINGS** - Drum Shaft is supported by two heavy duty oil lubricated bearings in gear case, and one permanently sealed ball bearing in end housing.
- DRUM SHAFT** - 1-1/2" diameter heat -treated alloy steel minimum tensile strength 150,000 psi.
- CABLE DRUM** - Tough all steel construction resists breakage or warping.
- CLUTCH** - 2000HC Series winches comes equipped with heat-treated dog type clutch to provide free-spooling of the winch drum. Positive lock-in and lock-out.
- BRAKE** - Failsafe Brake is standard, brake disengages when a load is lifted and automatically engages when power is removed or the load is lowered.
- COUNTERBALANCE VALVE** - Adds additional safety and load handling capabilities to winch.



BLOOM

Manufacturing Inc.

Winch Division

*Lifting
Pulling
Hoisting*

Toll Free Number: 1-800-394-1139

www.bloommfg.com

"Custom Engineered Solutions"

1443 220th Street,, Independence, Iowa 50644 • FAX: 319-827-1140 • PHONE: 319-827-1139

2000HC Series

Model Selection from Performance Data



*"Quality Since
1910"*

MODEL EXAMPLE: **20H-6.2T-L8-C-17**

Gear Case Mounting

20 = 2000 Series with 1-1/2" Drum Shaft

H = Integral Fail-Safe Brake

Hydraulic Motor Designation

3.0T, 6.2T

Drum Designation

S8, L8, XL10, XL12, XL14

With 4" Core

Gear Ratio

(17:1)

Clutch Designation

*(Do not use clutch model for
lifting applications.)*

(20H) Indicates a 2000HC Series winch with 1 1/2" drum shaft. The "H" indicates T series motor with standard fail-safe brake.

(6.2T) Designates hydraulic motor used. 6.2T designates a motor with standard fail-safe brake and includes counter balance valve. Fail-safe brake should be used in pulling application where positive load holding is required. To select proper motor size, use performance data chart. Hydraulic pressure (P.S.I.) and flow rate (G.P.M.) must be known.

(L8) Drum designation.

(C) Designates 2000HC Series winch with dog type clutch for free - spooling drum.

(17) Indicates gear ratio. 17:1 is standard.

Bloom Planetary Cable Winches

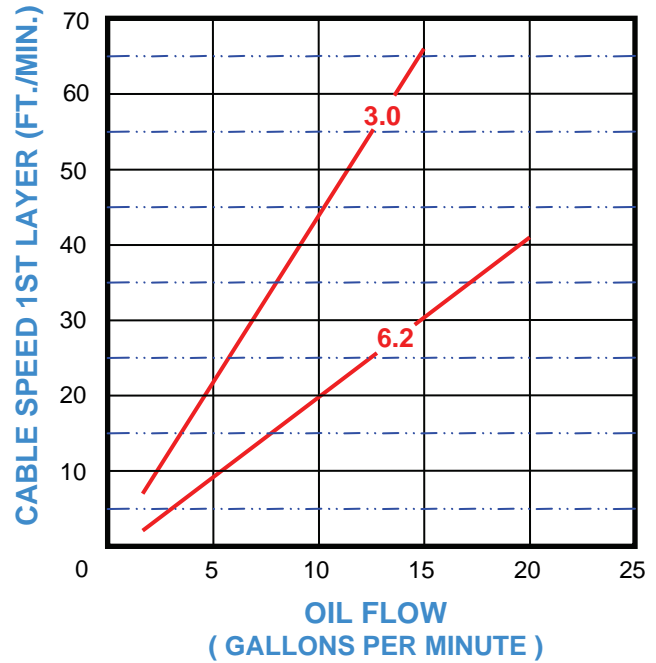
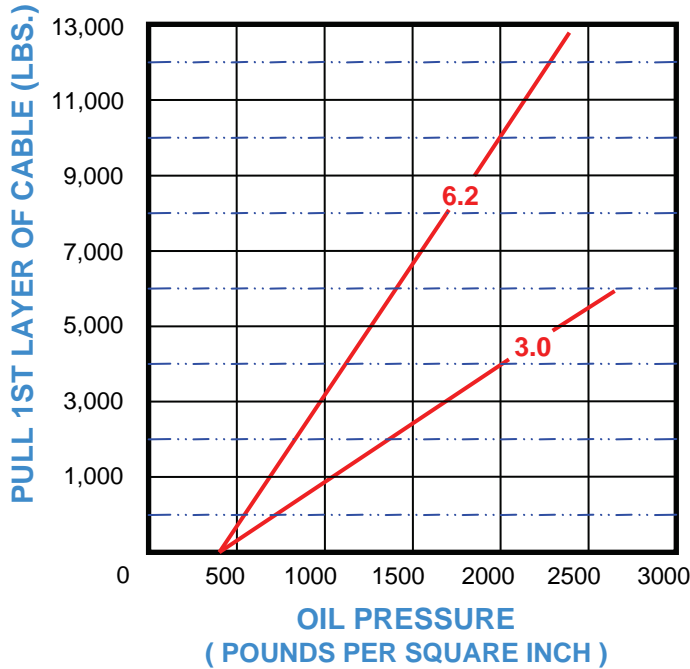
2000HC Series

With Hydraulic Fail-safe Brake
Model Selection from Performance Data



"Quality Since
1910"

17:1 RATIO



DRUM CAPACITY

CABLE DIAMETER (IN.)	1/4	5/16	3/8	7/16	1/2
"S8" DRUM	260	160	105	75	55
"L8" DRUM	390	240	160	110	80
"XL10" DRUM	840	550	340	250	170
"XL12" DRUM	1320	840	580	380	280
"XL14" DRUM	1900	1180	760	540	410

CAPACITY FEET

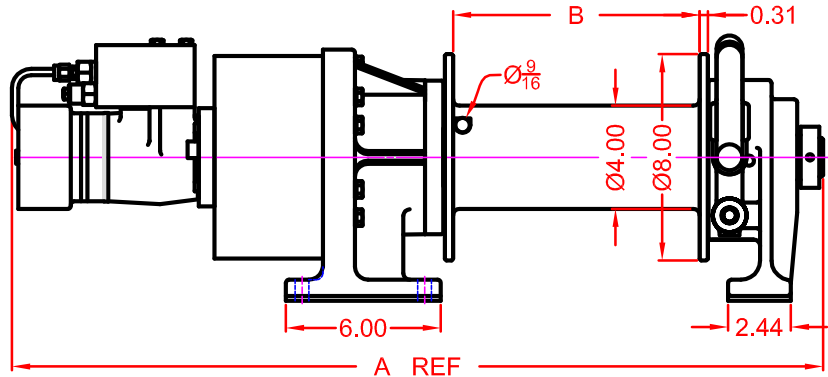
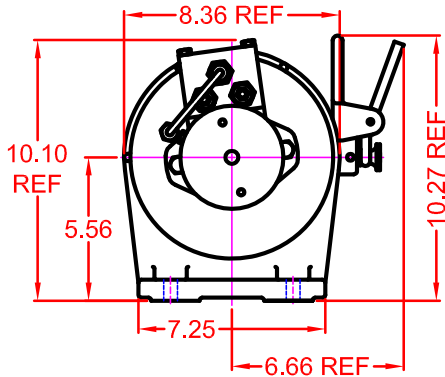
Dimensional Drawings

Series 2000HC
Base Mount Model - Clutch Drive



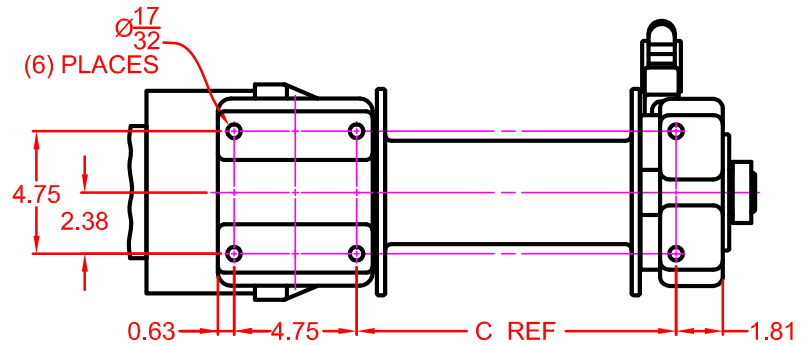
"Quality Since
1910"

With S8 & L8 Drum

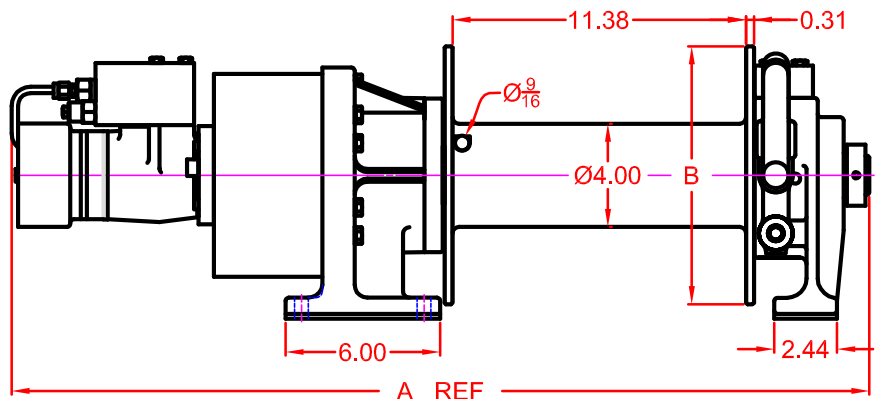
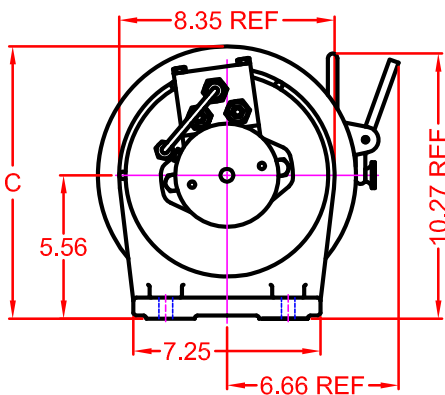


MOTOR DESIGNATION	A DIMENSION	
		3.0
S8 DRUM	28.44	28.82
L8 DRUM	31.44	31.82

DRUM DESIGNATION	WINCH DIM.	
	B	C
S8	6.56	9.38
L8	9.56	12.38

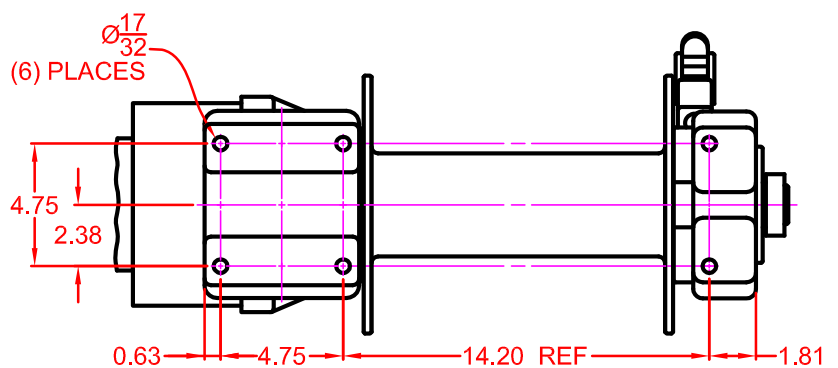


With XL10, XL12 & XL14 Drum



MOTOR DESIGNATION	3.0	6.2
A DIMENSION	33.25	33.63

DRUM DESIGNATION	WINCH DIM.	
	B	C
XL10	10	10.56
XL12	12	11.56
XL14	14	12.56



Correct choice of Directional Control Valves for Bloom Winches

Motor Spool Valve – Work Ports are **open** to tank in neutral position

Use on all winches that use Counter Balance Valves to hold load.

Some winches may use a combination of CB Valve and Hydraulic Brake.

*Winches require ridged mounting plate.

See owner's manual for information about proper mounting plate thickness or call Bloom Sales Engineer at factory

WARNING!

Goods are not intended for use in the moving or lifting of persons!

The winches described herein are neither designed nor intended for use or application to equipment used in the lifting or moving of persons and it is understood that all such use shall be at the sole risk of the user.

The cable clamps on winches are not designed to hold rated loads. A minimum of 5 wraps of cable must be left on drum barrel to guarantee holding of rated load.

Applications of winch where life would be endangered by any event are not recommended.



BLOOM Manufacturing Inc.

Winch Division

1443 220th Street,, Independence, Iowa 50644

FAX 319-827-1140 PHONE 319-827-1139

www.bloommfg.com