

BLOOM™ WINCH



"Quality Since
1910"

Series 1000WC

HYDRAULIC CABLE WINCHES

The rugged construction and versatility of the **1000WC Series** makes it adaptable to a wide range of applications. The **1000WC Series** winches are equipped with a sliding clutch to allow free-spooling of the drum for industrial pulling applications including rear of cab and front mounting on ½ to 1 ½ ton trucks, flat bed trailers, material handling, mining and logging operations, air freight pullers, off road tractors, aboard ships and boats. 1000WC Series may be ordered galvanized.



**UP TO 12,000 LBS.
CAPACITY**

Bloom™ Hydraulic Cable Winches – Standard Features

- BRAKE** - **DUET-SAFE® Double Action Braking System** combines a powerful spring applied, hydraulic released brake with a double counter balance brake valve to automatically hold loads when hydraulic pressure is released and control speed during lowering operations. Winch is ideal for high speed pulling applications or wherever load holding is critical.
- GEAR CASE** - Made of high strength cast iron. Completely sealed for oil enclosed operation and to keep dirt out.
- WORM SHAFT** - One piece alloy steel hardened and ground for extra durability. Compact design allows hydraulic motor to be coupled directly to worm.
- WORM GEAR** - High tensile aluminum-nickel alloy bronze. Optimum lead and pressure angles transmit maximum power to the drum.
- GEAR RATIO** - 20:1 standard, 10:1, 27:1, 40:1 optional ratios provide optimum efficiency in power and speed.
- BEARINGS** - Worm gear and worm shaft run on tapered roller bearings. Outer end housing has sealed ball bearing.
- DRUM SHAFT** - 1-1/2" diameter heat -treated alloy steel minimum tensile strength 150,000 psi.
- CABLE DRUM** - Tough all steel construction resists breakage or warping.
- CLUTCH** - 1000WC Series winches comes equipped with heat-treated dog type clutch to provide free-spooling of the winch drum. Positive lock-in and lock-out.



www.bloommfg.com

BLOOM

Manufacturing Inc.

Winch Division

"Custom Engineered Solutions"

Lifting
Pulling
Hoisting

Toll Free Number: 1-800-394-1139

1443 220th Street,, Independence, Iowa 50644 • FAX: 319-827-1140 • PHONE: 319-827-1139

BLOOM™ WINCH



1000WC Series

Model Selection from Performance Data

"Quality Since
1910"

MODEL EXAMPLE: 10W-3.2M-L8-C-10-LP

Gear Case Mounting

10W = 1000WC Series With 1-1/2" Drum Shaft

Hydraulic Motor Designation

3.2M, 4.6M, 6.3M, 7.7M & 10.0M

Drum Sizes

S8, L8, XL10, XL12, XL14

Low Profile Mounting
(specify with or without
mounting angles)

Gear Ratios

10:1, 20:1, 27:1, 40:1

Clutch
Designation

(Do not use clutch model for
lifting Applications)

(10W) Indicates winch series. "10W" indicates a 1000WC Series winch with an 1-1/2" drum shaft. The "W" indicates spring applied hydraulic release motor brake.

(3.2M) Designates hydraulic motor. Motor size is determined from motor performance charts. Motors are directly coupled to spring applied hydraulic release brake.

(L8) Select drum size from chart below:

DRUM CAPACITY

CABLE DIAMETER (IN.)	1/4	5/16	3/8	7/16	1/2
DRUM "S8" CAPACITY (FT.)	260	160	105	75	55
DRUM "L8" CAPACITY (FT.)	390	240	160	110	80
DRUM "XL10" CAPACITY (FT.)	840	550	340	250	170
DRUM "XL12" CAPACITY (FT.)	1320	840	580	380	280
DRUM "XL14" CAPACITY (FT.)	1900	1180	760	540	410

(C) Designates 1000WC Series winch with dog type clutch for free - spooling drum.

(10) Indicates gear ratio. 10:1 is standard. 20:1, 27:1, and 40:1 are also available.

(LP) Design low profile mounting on 1000WC Series winches. 1000WC Low Profile Series winches with mounting angles are available only with S8 and L8 drums. However, it is necessary on all low profile whether the winch is to be supplied "with angles" or "less angles".

BLOOM™ WINCH

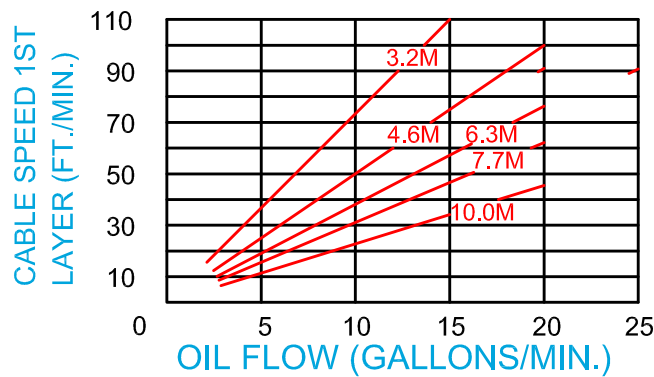
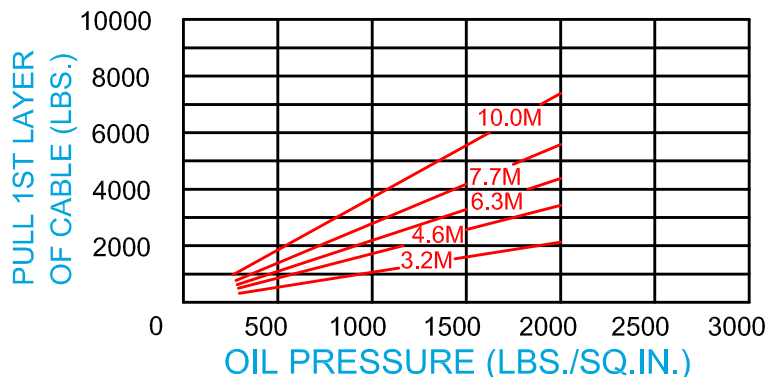


Series 1000WC

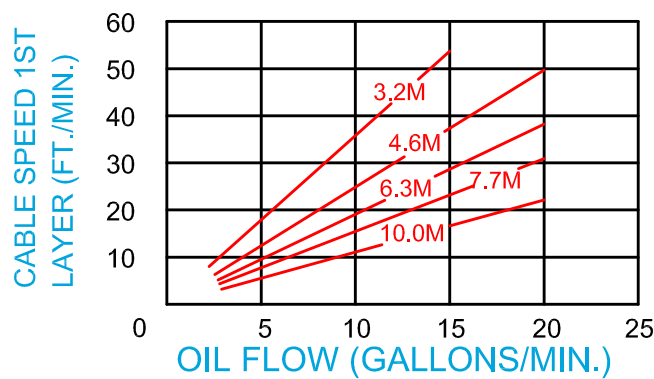
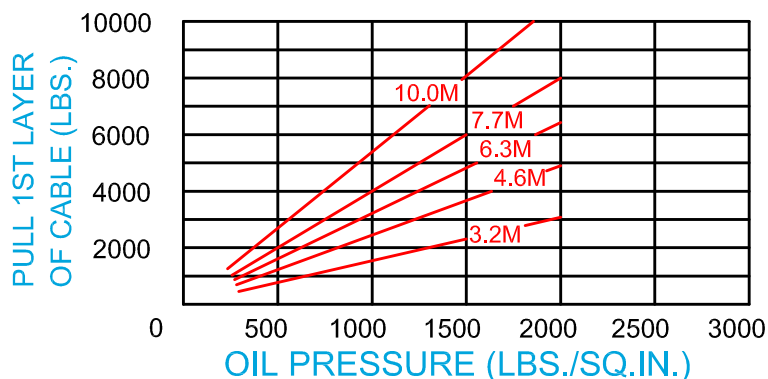
Bloom Hydraulic Cable Winches Model Selection from Performance Data

"Quality Since 1910"

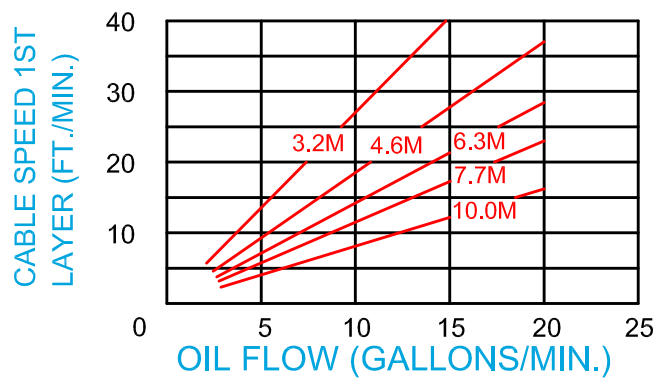
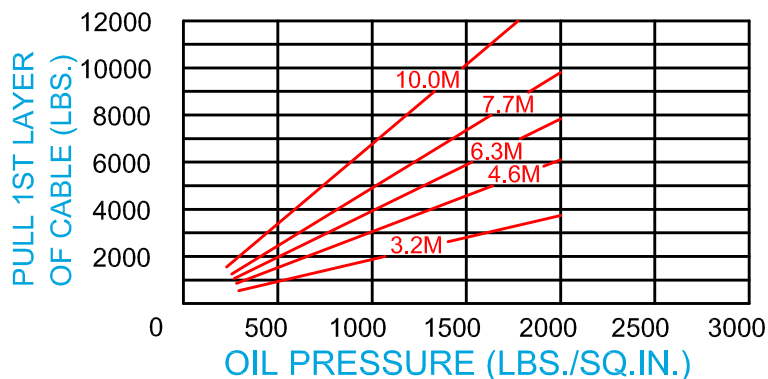
10:1 RATIO (optional)



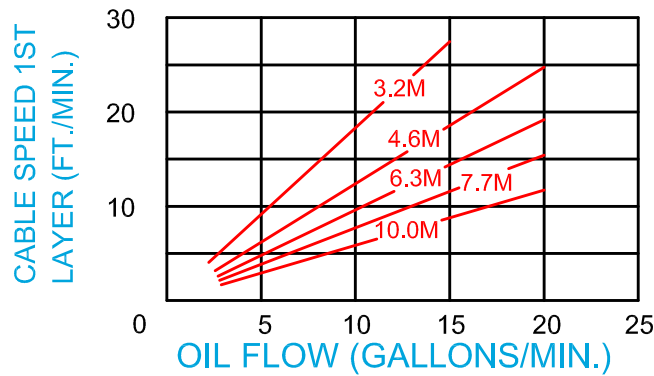
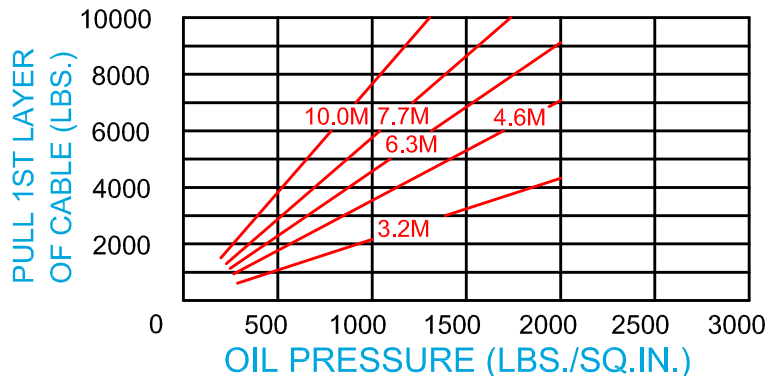
20:1 RATIO (standard)



27:1 RATIO (optional)



40:1 RATIO (optional)



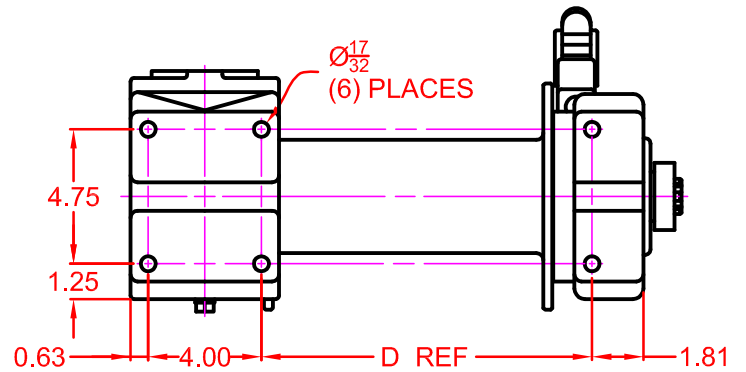
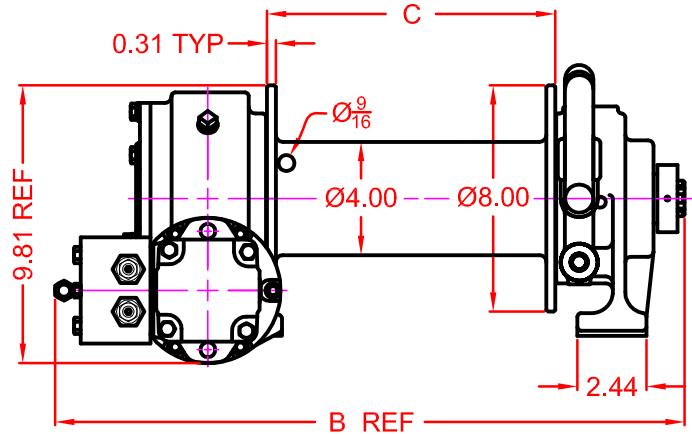
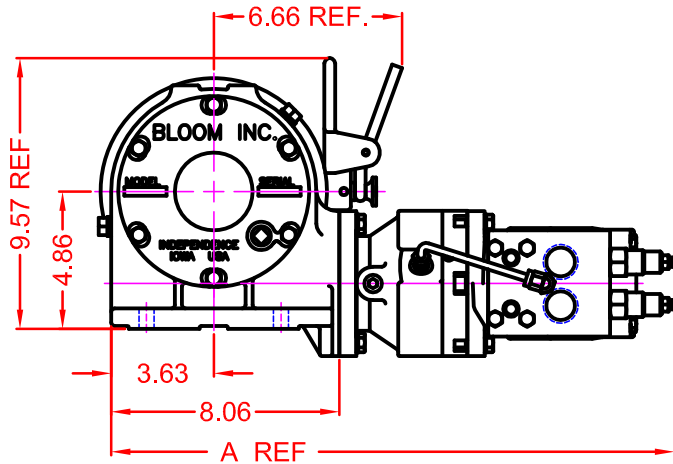


“Quality Since
1910”

BLOOM™ WINCH

Dimensional Drawings

10W Series With S8 and L8 Drum
Base Mount Model - Clutch Drive



MOTOR DESIGNATION	3.2	4.6	6.3	7.7	10.0
A DIMENSION	19.90	19.90	19.90	19.90	19.90

DRUM DESIGNATION	WINCH DIMENSION		
	B	C	D
S8	19.24	7.19	8.69
L8	22.24	10.19	11.69

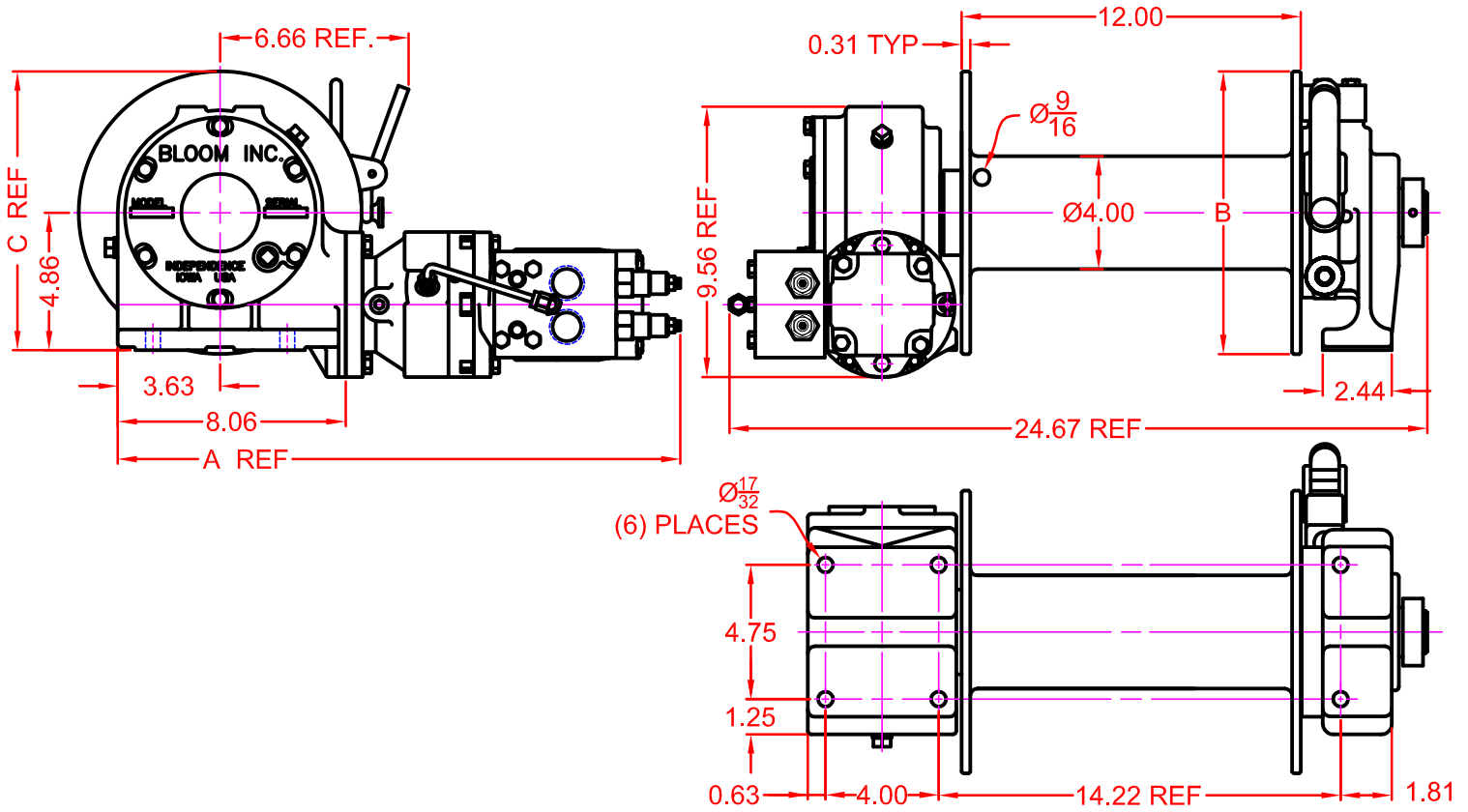


BLOOM™ WINCH

Dimensional Drawings

10W Series With XL10, XL12 & XL14 Drum
Base Mount Model - Clutch Drive

"Quality Since
1910"



MOTOR DESIGNATION	3.2	4.6	6.3	7.7	10.0
A DIMENSION	19.90	19.90	19.90	19.90	19.90

DRUM DESIGNATION	XL10	XL12	XL14
B DIMENSION	10	12	14
C DIMENSION	9.86	10.86	11.86

BLOOM™ WINCH

Correct choice of Directional Control Valves for Bloom Winches

Motor Spool Valve – Work Ports are **open** to tank in neutral position

Use on all winches that use Counter Balance Valves to hold load.

Some winches may use a combination of CB Valve and Hydraulic Brake.

*Winches require ridged mounting plate.

See owner's manual for information about proper mounting plate thickness or call Bloom Sales Engineer at factory.

WARNING!

Goods are not intended for use in the moving or lifting of persons!

The winches described herein are neither designed nor intended for use or application to equipment used in the lifting or moving of persons and it is understood that all such use shall be at the sole risk of the user.

The cable clamps on winches are not designed to hold rated loads. A minimum of 5 wraps of cable must be left on drum barrel to guarantee holding of rated load.

Applications of winch where life would be endangered by any event are not recommended.



BLOOM Manufacturing Inc.

Winch Division

1443 220th Street, Independence, Iowa 50644

FAX 319-827-1140 PHONE 319-827-1139

www.bloommfg.com

©Copyright 2010 Bloom Mfg. Inc.